



A TEREX BRAND

# *Parts Manual*

## Serial Number Range

***GS-2669RT***

from SN GS6911-101 to  
GS6916-7896

***GS-3369RT***

from SN GS6916F-7897 to  
GS6916F-10499

***GS-4069RT***

Part No. 229832GT

Rev C2

November 2018

---

## Technical Publications

Genie has endeavored to deliver the highest degree of accuracy possible. However, continuous improvement of our products is a Genie policy. Therefore, product specifications are subject to change without notice.

Readers are encouraged to notify Genie of errors and send in suggestions for improvement. All communications will be carefully considered for future printings of this and all other manuals.

---

## Contact Us:

Internet: [www.genielift.com](http://www.genielift.com)  
e-mail: [awp.techpub@terex.com](mailto:awp.techpub@terex.com)

---

## Find a Manual for this Model

Go to <http://www.genielift.com>


Use the links to locate Operator's, Parts, Maintenance, and Service and Repair Manuals.

---

Copyright © 2011 by Terex Corporation

229832GT Rev C February 2018  
First Edition, Third Printing

Genie is a registered trademark of Terex South Dakota in the USA and many other countries. "GS" is a trademark of Terex South Dakota, Inc.

 Printed on recycled paper

To August 31, 2016

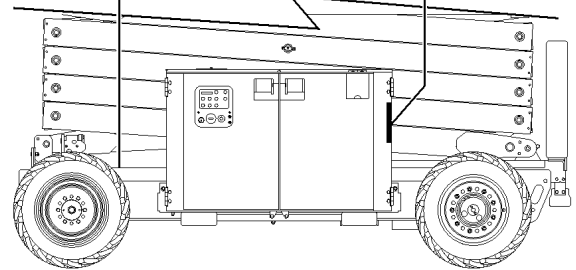
**Genie**  
A TEREX BRAND

Model:  
**Serial number:** GS6916F-12345  
**Manufacture date:** 1/2/16  
**Electrical schematic number:**  
**Machine unladen weight:**  
**Rated work load (including occupants):**  
**Maximum number of platform occupants:**  
**Maximum allowable inclination of the chassis:**  
**Outrigger retracted:**  
**Outrigger deployed:**

GS69 16 F - 12345

1 2 3 4

6 5



- 1 Model
- 2 Model year
- 3 Facility code

- 4 Sequence number
- 5 Serial label (located inside compartment)
- 6 Serial number (stamped on chassis)

From September 1, 2016

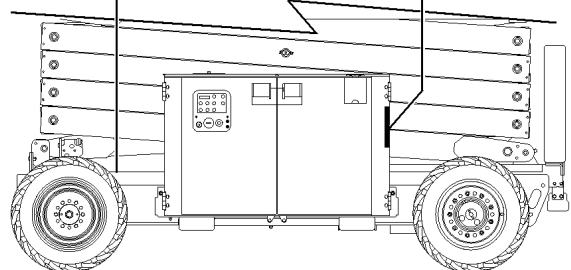
**Genie**  
A TEREX BRAND

Model:  
**Serial number:** GS69F-12345  
**Year of manufacture:** 2016  
**Electrical schematic number:**  
**Machine unladen weight:**  
**Rated work load (including occupants):**  
**Maximum number of platform occupants:**  
**Maximum allowable inclination of the chassis:**  
**Outrigger retracted:**  
**Outrigger deployed:**

GS69 F - 12345

1 2 3

5 4



- 1 Model
- 2 Facility code
- 3 Sequence number

- 4 Serial label (located inside compartment)
- 5 Serial number (stamped on chassis)

## Table of Contents

This manual is updated frequently. If you have a printed manual, you can keep it up to date by downloading new figures from the Genie website at [www.genielift.com](http://www.genielift.com). For the most up-to-date parts information, visit the Parts Lookup System on the Genie website at [www.genielift.com](http://www.genielift.com).

|                                     |   |
|-------------------------------------|---|
| How to Read Your Serial Number..... | 3 |
| Parts Stocking List.....            | 7 |
| How to Order Parts.....             | 8 |
| Service Parts Fax Order Form.....   | 9 |

**Electronic Version**

Click on any page number to view the figure.

**001 Parts Stocking List**

|                                |    |
|--------------------------------|----|
| 001.1 Parts Stocking List..... | 10 |
|--------------------------------|----|

**100 Decals**

|  |    |
|--|----|
| 101.1 Decals with Words, GS-2669, Engine Side.....                     | 12 |
| 102.1 Decals with Words, GS-2669, Controls Side.....                   | 14 |
| 103.1 Decals with Words, GS-2669 Platform, ANSI & CSA.....             | 16 |
| 104.1 Decals with Words, GS-2669 Platform, Australia.....              | 18 |
| 105.1 Decals with Symbols, GS-2669, Engine Side.....                   | 20 |
| 106.1 Decals with Symbols, GS-2669, Controls Side.....                 | 22 |
| 107.1 Decals with Symbols, GS-2669 Platform, Asia & South America..... | 24 |
| 108.1 Decals with Symbols, GS-2669 Platform, CE.....                   | 26 |
| 109.1 Decals with Words, GS-3369, Engine Side.....                     | 28 |
| 110.1 Decals with Words, GS-3369, Controls Side.....                   | 30 |
| 111.1 Decals with Words, GS-3369 Platform, ANSI & CSA.....             | 32 |
| 112.1 Decals with Words, GS-3369 Platform, Australia.....              | 34 |
| 113.1 Decals with Symbols, GS-3369, Engine Side.....                   | 36 |
| 114.1 Decals with Symbols, GS-3369, Controls Side.....                 | 38 |
| 115.1 Decals with Symbols, GS-3369 Platform, Asia & South America..... | 40 |
| 116.1 Decals with Symbols, GS-3369 Platform, CE.....                   | 42 |
| 117.1 Decals with Words, GS-4069, Engine Side.....                     | 44 |
| 118.1 Decals with Words, GS-4069, Controls Side.....                   | 46 |
| 119.1 Decals with Words, GS-4069 Platform, ANSI & CSA.....             | 48 |
| 120.1 Decals with Words, GS-4069 Platform, Australia.....              | 50 |
| 121.1 Decals with Symbols, GS-4069, Engine Side.....                   | 52 |
| 122.1 Decals with Symbols, GS-4069, Controls Side.....                 | 54 |

|  |    |
|--|----|
| 123.1 Decals with Symbols, GS-4069 Platform, Asia & South America..... | 56 |
| 124.1 Decals with Symbols, GS-4069 Platform, CE.....                   | 58 |

**200 Drive Chassis Components**

|  |    |
|--|----|
| 201.1 Steer Axle Linkage, Wheels and Drive Motors..... | 60 |
| 202.1 Steer Axle Linkage, Oscillation.....             | 62 |
| 203.1 Non-Steer Axle and Drive Motors.....             | 64 |
| 204.1 Ladder and Counterweight.....                    | 68 |
| 205.1 Drive Chassis, Safety Components.....            | 70 |

**300 Engine Components**

|  |     |
|--|-----|
| 301.1 Kubota WG-972 Engine, View 1 (to SN GS6916F-8533)..... | 72  |
| 302.1 Kubota WG-972 Engine, View 2 (to SN GS6916F-8533)..... | 74  |
| 303.1 Kubota WG-972 Engine, View 3 (to SN GS6916F-8533)..... | 78  |
| 304.1 Kubota WG-972 Engine, View 4 (to SN GS6916F-8533)..... | 80  |
| 305.1 Kubota D-1105 Engine, View 1.....                      | 82  |
| 306.1 Kubota D-1105 Engine, View 2.....                      | 84  |
| 307.1 Kubota D-1105 Engine, View 3.....                      | 86  |
| 308.1 Kubota D-1105 Engine, View 4.....                      | 88  |
| 309.1 Perkins 403D-11 Engine, View 1.....                    | 90  |
| 310.1 Perkins 403D-11 Engine, View 2.....                    | 94  |
| 311.1 GM 0.998L Engine, View 1.....                          | 96  |
| 312.1 GM 0.998L Engine, View 2.....                          | 98  |
| 313.1 GM 0.998L Engine, View 3.....                          | 100 |

**400 Chassis Tray Components**

|  |     |
|--|-----|
| 401.1 Engine Tray Components, View 1.....                      | 102 |
| 402.1 Engine Tray Components, View 2.....                      | 104 |
| 403.1 Hydraulic Tank And Ground Controls Installation.....     | 106 |
| 403.2 Gasoline Tank, Hoses and Fittings, GM 0.998L Engine..... | 110 |
| 404.1 Hydraulic Tray Components.....                           | 112 |
| 405.1 Ground Controls.....                                     | 114 |
| 406.1 LPG Tank Installation.....                               | 116 |
| 407.1 Chassis Cover Installation (to SN GS6914-3661).....      | 118 |
| 407.2 Chassis Cover Installation (from SN GS6914-3662).....    | 120 |
| 408.1 Electrical Wiring and Power Cables.....                  | 122 |

**500 Scissor Components**

|   |     |
|---|-----|
| 501.1 Scissor Components, GS-2669 RT.....         | 126 |
| 502.1 Scissor Components, GS-3369 RT, View 1..... | 130 |
| 503.1 Scissor Components, GS-3369 RT, View 2..... | 132 |
| 504.1 Scissor Components, GS-4069 RT, View 1..... | 134 |
| 505.1 Scissor Components, GS-4069 RT, View 2..... | 136 |

**600 Platform Components**

|  |     |
|--|-----|
| 601.1 Platform Installation, GS-2669 RT, View 1.....                   | 138 |
| 602.1 Platform Installation, GS-3369 RT and GS-4069 RT,<br>View 2..... | 140 |
| 603.1 Platform Railing Installation.....                               | 142 |
| 604.1 Platform Entry Gate.....   | 144 |
| 605.1 Platform Extension.....  | 146 |
| 606.1 Platform Extension Deck Lock.....                                | 148 |
| 607.1 Power to Platform.....   | 150 |
| 608.1 Platform Controls.....   | 152 |
| 609.1 Platform Controls Joystick.....                                  | 154 |

**700 Hydraulic Components**

|   |     |
|---|-----|
| 701.1 Function Manifold.....  | 156 |
| 702.1 Traction Manifold, View 1.....                                  | 158 |
| 703.1 Traction Manifold, View 2.....                                  | 160 |
| 704.1 Oscillate Cylinders, All Models.....                            | 162 |
| 705.1 Lift Cylinders.....   | 164 |
| 706.1 Hydraulic Hoses and Fittings, Lift Cylinder, GS-4069<br>RT..... | 166 |
| 707.1 Hydraulic Hoses and Fittings, View 1.....                       | 168 |
| 708.1 Hydraulic Hoses and Fittings, View 2.....                       | 170 |

**800 Accessories**

|  |     |
|--|-----|
| 801.1 Flashing Motion Beacon (to SN GS6916F-9067).....   | 172 |
| 801.2 Flashing Motion Beacon (from SN GS6916F-9068)..... | 174 |
| 802.1 Generator Installation.....                        | 176 |
| 803.1 Generator.....                                     | 178 |
| 804.1 Hydraulic Hoses and Fittings, Generator.....       | 180 |
| 805.1 Oil Cooler.....                                    | 182 |
| 806.1 Hydraulic Hoses and Fittings, Oil Cooler.....      | 184 |
| 807.1 Cold Start Installation.....                       | 186 |
| 808.1 Outrigger Installation, View 1.....                | 188 |
| 809.1 Outrigger Installation, View 2.....                | 190 |
| 810.1 Outrigger Manifold.....                            | 192 |
| 811.1 Outrigger Cylinders, All Models.....               | 194 |
| 812.1 Hydraulic Hoses and Fittings, Outrigger.....       | 196 |
| 813.1 Air to Platform.....                               | 198 |
| 814.1 Link Guard, CE and Australia.....                  | 200 |
| 815.1 Platform Work Light.....                           | 202 |

**Indices**

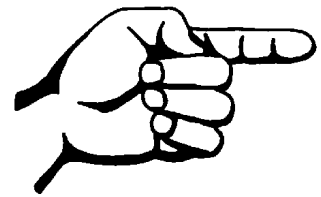
|                             |     |
|-----------------------------|-----|
| Part Number Index.....      | 204 |
| Part Description Index..... | 210 |

**Cross References**

|                               |     |
|-------------------------------|-----|
| Fittings Cross Reference..... | 220 |
|-------------------------------|-----|



Please refer to section 001 for the Parts Stocking List.



This page intentionally left blank.

## How To Order Parts

### How to Order Parts

Please be prepared with the following information when ordering replacement parts for your Terex or Genie product.

- Machine model number
- Machine serial number
- Part number
- Part description and quantity
- Purchase order number
- "Ship to" address
- Desired method of shipment
- Name and telephone number of the authorized distributor in your area.

Use the Service Parts Fax Order Form on the next page and fax your order to our Parts Department.

If you don't know the name of your authorized distributor, or if your area is not currently serviced by an authorized distributor, please call Terex or Genie Industries.

### Machine Information

\_\_\_\_\_

Model

\_\_\_\_\_

Serial Number

\_\_\_\_\_

Date of Purchase

\_\_\_\_\_

Authorized Genie Distributor

\_\_\_\_\_

Phone Number

#### North America

Telephone (425)881-1800  
 Toll Free (800)536-1800 in US and Canada  
 Fax (425)556-8659  
 Toll Free fax (888)274-6192  
 Email [AWP.PartsSalesPO@terex.com](mailto:AWP.PartsSalesPO@terex.com)  
<http://genielift.com/en>

#### EMEAR (Europe, Middle East, Africa and Russia)

Telephone (31)(165)519 313  
 Fax (31)(165)511 148  
<http://genielift.co.uk>

#### Asia Pacific (Genie Singapore)

Telephone +65 6692 7777  
 Fax +65 6261 8893  
<http://genielift.com.sg/>

#### Australia

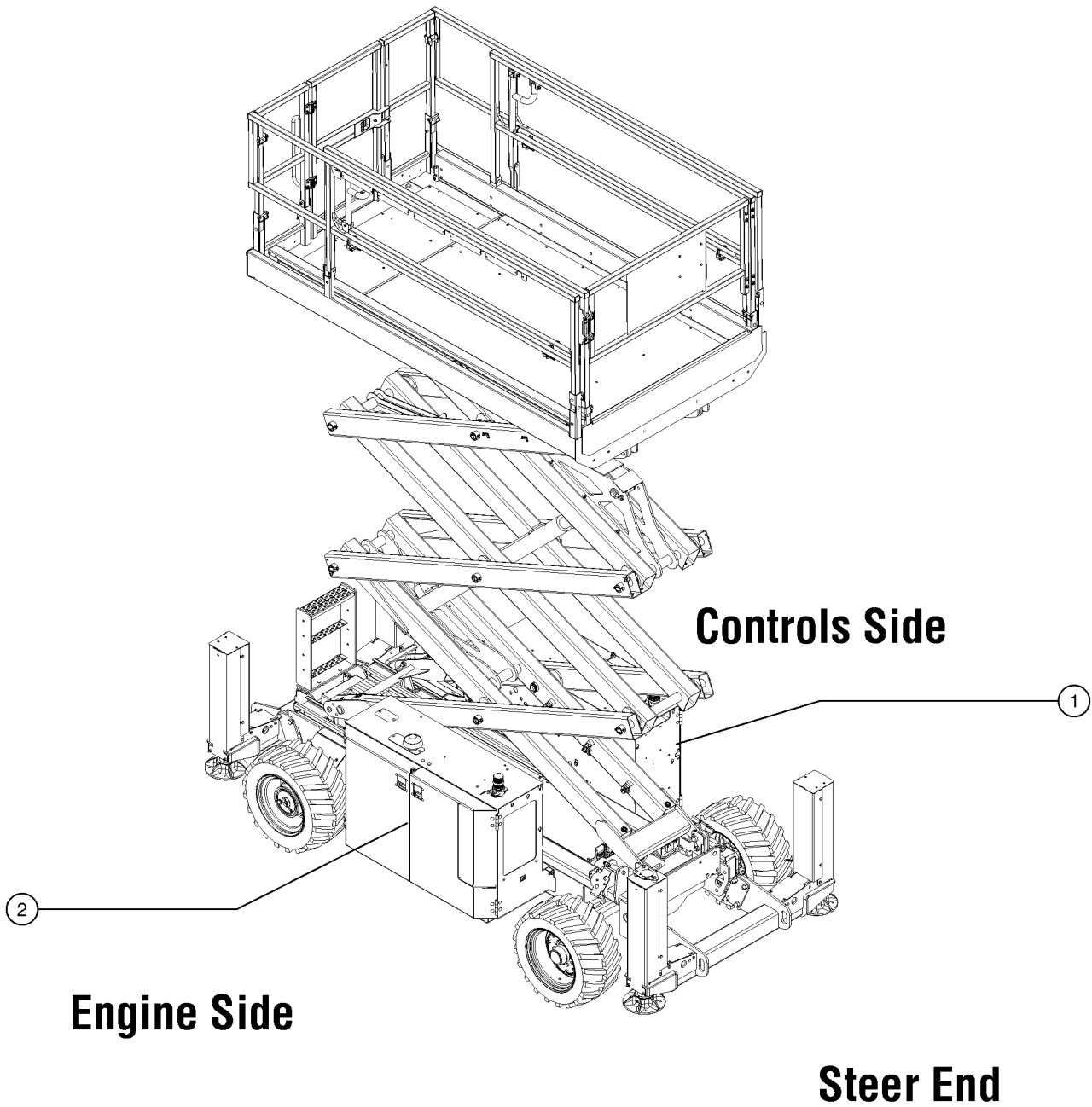
Telephone (61)(7)3456 4444  
 Fax (61)(7)3456 4466  
<http://genielift.com.au>

#### South America

Telephone (55)(11)4082 5600  
 Fax (55)(11)4082 5630





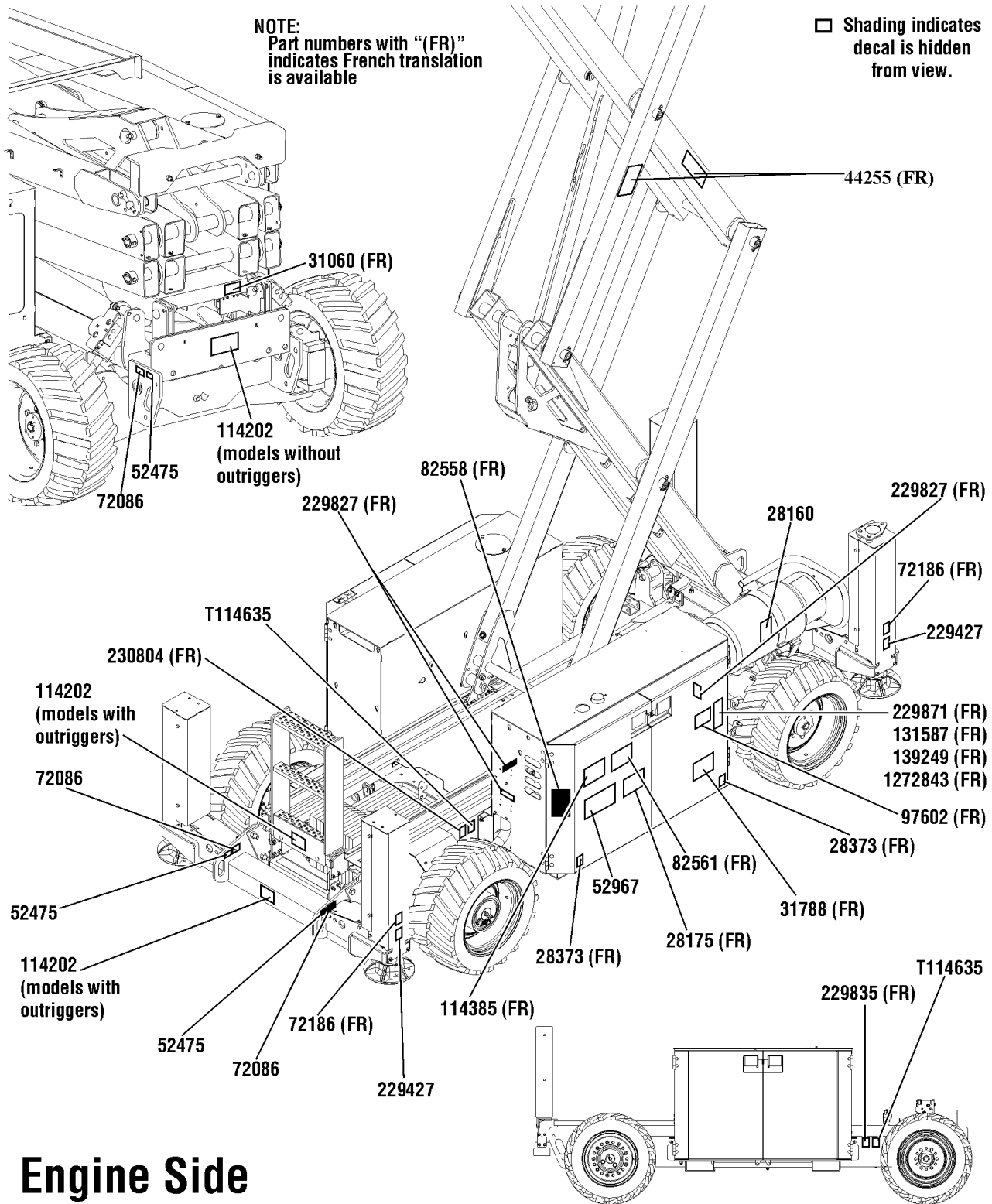


001.1 Parts Stocking List

| Item | Part No.  | Description  | Qty. | Item | Part No.  | Description   | Qty. |
|------|-----------|--|------|------|-----------|---|------|
| --   | 1257733GT | PAINT,WET,TRAFFIC BLACK (1 GL)**<br>1-gallon                       |      | 2A   | 236095GT  | FILTER,AIR,D1105<br>(kubota D1105 engine) (refer to section 300)                  |      |
| --   | 1258567GT | PAINT, AEROSOL, TRAFFIC BLACK<br>12-ounce spray paint              |      | 2A   | 52816GT   | BELT,FAN,KUBOTA DF972/Z482-E<br>(kubota WG-972 engine) (refer to section 300)     |      |
| --   | 1268GT    | PAINT,AEROSOL,GENIE GRAY***<br>12-ounce spray paint                |      | 2A   | 60857GT   | FILTER,ELEMENT,BETA(5)=1000<br>use with high pressure filter 60334GT              |      |
| --   | 131379GT  | MANUAL,OPER,KUBOTA DIESEL ****<br>(kubota D1105 engine)            |      | 2A   | 65853GT   | FILTER,FUEL/WATER SEPARATOR***<br>(kubota D1105 engine) (refer to section 300)    |      |
| --   | 131661GT  | MANUAL,OPERATORS,PERKINS,403D<br>(perkins 403D-11 engine)          |      | 2A   | 866050GT  | FILTER,OIL,KUBOTA.....1<br>(kubota D1105 engine) (refer to section 300)           |      |
| --   | 131662GT  | MANUAL,WORKSHOP,PERKINS,403D<br>(perkins 403D-11 engine)           |      | 2A   | 866127GT  | ELEMENT,AIR CLEANER,KUBOTA<br>(kubota WG-972 engine) (refer to section 300)       |      |
| --   | 1484GT    | PAINT,AEROSOL,BRIGHT BLUE***<br>12-ounce spray paint               |      | 2A   | 866400GT  | KUBOTA OIL FILTER<br>(kubota WG-972 engine) (refer to section 300)                |      |
| --   | 229761GT  | MANUAL,WORKSHOP,D1105<br>(kubota D1105 engine)                     |      | 2B   | 42767GT   | SEPARATOR/FILTER ELEMENT,FUEL*<br>(perkins 403D-11 engine) (refer to section 300) |      |
| --   | 234802GT  | WORKSHOP MANUAL, WG972-E2<br>(kubota WG-972 engine)                |      | 2B   | 52867GT   | FILTER,AIR***<br>(perkins 403D-11 engine) (refer to section 300)                  |      |
| --   | 234803GT  | OPERATORS MANUAL, WG972-E2<br>(kubota WG-972 engine)               |      | 2B   | 62421GT   | FILTER,FUEL,PERKINS<br>(perkins 403D-11 engine) (refer to section 300)            |      |
| --   | 27581GT   | MANUAL,AEM SAFETY<br>(all models)                                  |      | 2B   | 85071GT   | BELT-FAN, PERKINS (103.10)<br>(perkins 403D-11 engine) (refer to section 300)     |      |
| --   | 31779GT   | MANUAL,RESPON,A92.5 BOOM<br>(all models)                           |      | 2B   | 94762GT   | OIL FILTER - PERKINS<br>(perkins 403D-11 engine) (refer to section 300)           |      |
| --   | 32150GT   | PAINT,WET,GENIE BLUE (1 GL)**<br>1-gallon                          |      | 2C   | 119684    | AIRCLEANER ASSEMBLY<br>(GM .998L engine)  |      |
| --   | 32151GT   | PAINT,WET,GENIE GRAY (1 GL)**<br>1-gallon                          |      | 2C   | 1271754GT | GASKET, WATER INLET .998L<br>(GM .998L engine)                                    |      |
| --   | 49613GT   | PLUG AND CAP KIT-SERVICE,ORFS*<br>(all models)                     |      | 2C   | 1271797GT | KIT, VAPORIZER .998L<br>(GM .998L engine)   |      |
| --   | 66399GT   | GREASE,DIELECTRIC 4 OZ**<br>(all models)                           |      | 2C   | 1271823GT | KIT, ELECTRICAL .998L<br>(GM .998L engine)  |      |
| 1    |           | <b>Ref: Hydraulic Box Components</b><br>(refer to section 400)     |      | 2C   | 1271848GT | KIT, EXHAUST .998L<br>(GM .998L engine)   |      |
| --   | 131658GT  | CAP,HYDRAULIC TANK,GS68/84/90<br>(all models)                      |      | 2C   | 1271876GT | KIT, STARTER .998L<br>(GM .998L engine)   |      |
| 1A   | 23168GT   | FILTER,FUEL,IN-LINE**<br>(kubota WG-972 engine)                    |      |      |           |   |      |
| 1C   | 1272018GT | PUMP, FUEL, GM .998L<br>(GM .998L engine)                          |      |      |           |   |      |
| 1C   | 1272019GT | FILTER, FUEL<br>(GM .998L engine)                                  |      |      |           |   |      |
| 2    |           | <b>Ref: Engine Box Components</b><br>(refer to section 400)        |      |      |           |   |      |
| 2A   | 139203GT  | SPARK PLUG, DF972<br>(kubota WG-972 engine) (refer to section 300) |      |      |           |   |      |
| 2A   | 231233GT  | BELT,FAN,D-1105<br>(kubota D1105 engine) (refer to section 300)    |      |      |           |   |      |



101.1 Decals with Words, GS-2669, Engine Side



## 101.1 Decals with Words, GS-2669, Engine Side

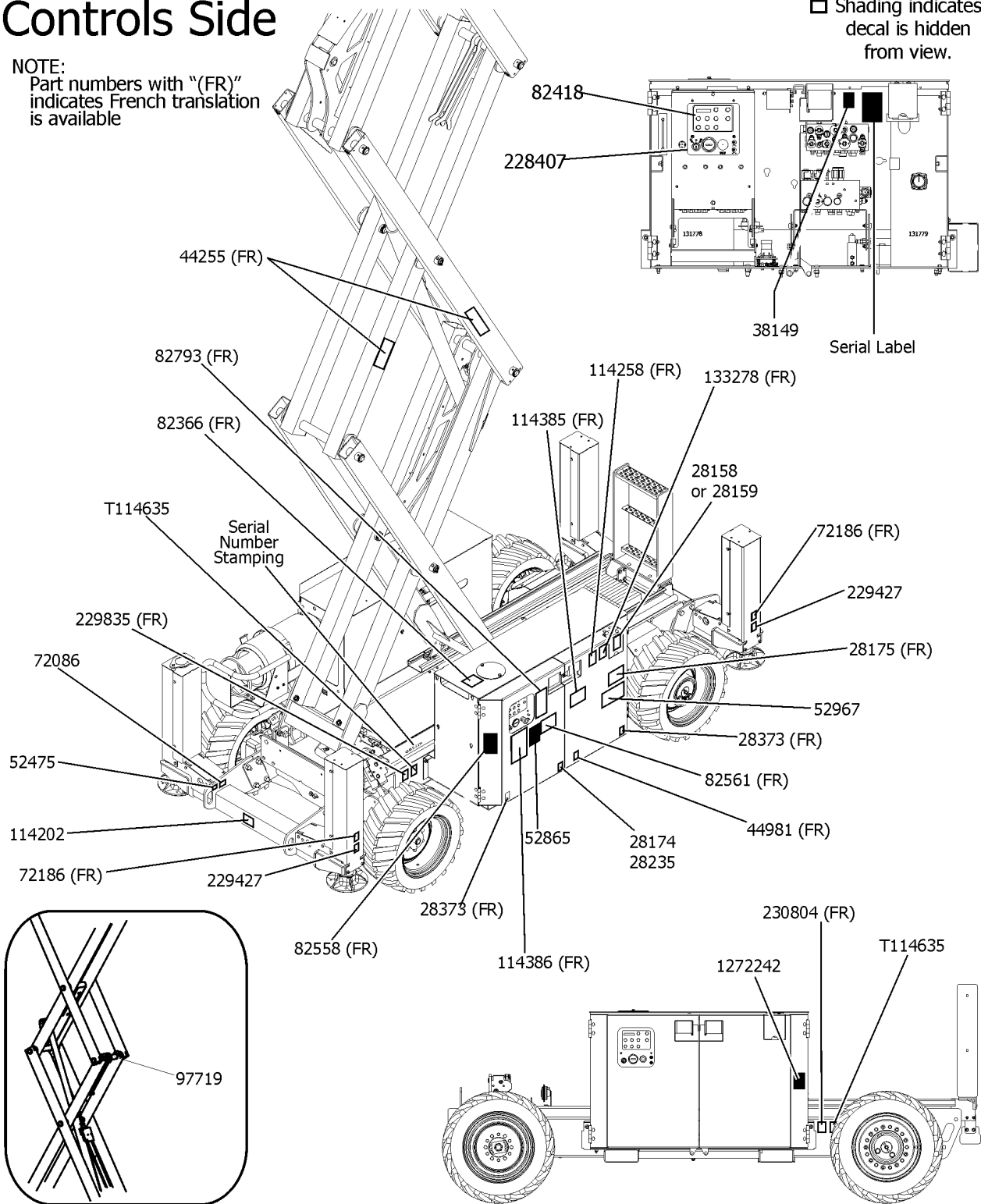
| Item | Part No.  | Description  | Qty. |
|------|-----------|--|------|
| --   | 233039GT  | DECAL KIT, 2669 COMP,WRD,ANSI<br><i>(Decal kit, complete for ANSI models only)</i> |      |
| --   | 233044GT  | DECAL KIT, 2669 COMP,WRD,AUS<br><i>(Decal kit, complete for AUS models only)</i>   |      |
| --   | 233047GT  | DECAL KIT, 2669 PLAT,WRD,ANSI<br><i>(Decal kit, platform for ANSI models only)</i> |      |
| --   | 233800GT  | DECAL KIT, 2669 PLAT,WRD,AUS<br><i>(Decal kit, platform for AUS models only)</i>   |      |
| 1    | 28160GT   | DECAL,LABEL,LIQUID PROPANE.....  | 1    |
| 2    | 28175GT   | DECAL,WARNING-COMPART<br>ACCESS.....   | 1    |
| 3    | 28373GT   | DECAL,FORK LIFT POCKET.....  | 2    |
| 4    | 31060GT   | DECAL,DANGER DO NOT ALTER<br>SWTC.....   | 1    |
| 5    | 31788GT   | DECAL,DANGER,BATTERY<br>SAFETY***.....   | 1    |
| 6    | 44255GT   | DECAL,DANGER,CRUSHING<br>HAZARD.....   | 2    |
| 7    | 52475GT   | DECAL,LABEL,TRANSPORT<br>TIEDOWN*.....   | 2    |
| 8    | 52967GT   | DECAL,COSMETIC,4 X 4.....  | 1    |
| 9    | 72086GT   | DECAL,LABEL,LIFTING EYE.....   | 2    |
| 10   | 72186GT   | DECAL,WARNING,CRUSHING<br>HAZARD.....  | 2    |
| 11   | 82558GT   | DECAL,WARN,SKIN INJECTION<br>HAZ*.....   | 1    |
| 12   | 82561GT   | DECAL,DANGER-USE SAFETY ARM....  | 1    |
| 13   | 97602GT   | DECAL,EXPLOSION HAZARD.....  | 1    |
| 14   | 114202GT  | DECAL,LABEL,TRANSPORT TIE 68....   | 1    |
| 15   | 114385GT  | DECAL,DANGER,ELEC HAZARD,GS....  | 1    |
| 16   | 131587GT  | DECAL,NOTICE,KUB,D1105,T4.....<br><i>(option)</i>                                  | 1    |
| 17   | 139249GT  | DECAL,NOTICE,PERKINS 403D<br>SPEC.....<br><i>(option)</i>                          | 1    |
| 18   | 229427GT  | DECAL,LABEL,OUTRIGGER LD.....  | 2    |
| 19   | 229827GT  | DECAL,WARNING,HOT SURFACE.....   | 3    |
| 20   | 229835GT  | DECAL,NOTICE,TIRE SPECS.....<br><i>(steer end)</i>                                 | 1    |
| 21   | 229871GT  | DECAL,NOTICE,KUBOTA GAS<br>SPECS.....<br><i>(option)</i>                           | 1    |
| 22   | 230804GT  | DECAL,NOTICE,TIRE SPECS, REAR....<br><i>(non-steer end)</i>                        | 1    |
| 23   | 1272843GT | DECAL,NOTICE,GM .998L SPEC.....<br><i>(option)</i>                                 | 1    |
| 24   | T114635GT | DECAL,LABEL,WHEEL LD,GS2669RT...2  |      |

102.1 Decals with Words, GS-2669, Controls Side

# Controls Side

NOTE:  
Part numbers with "(FR)" indicates French translation is available

☐ Shading indicates decal is hidden from view.



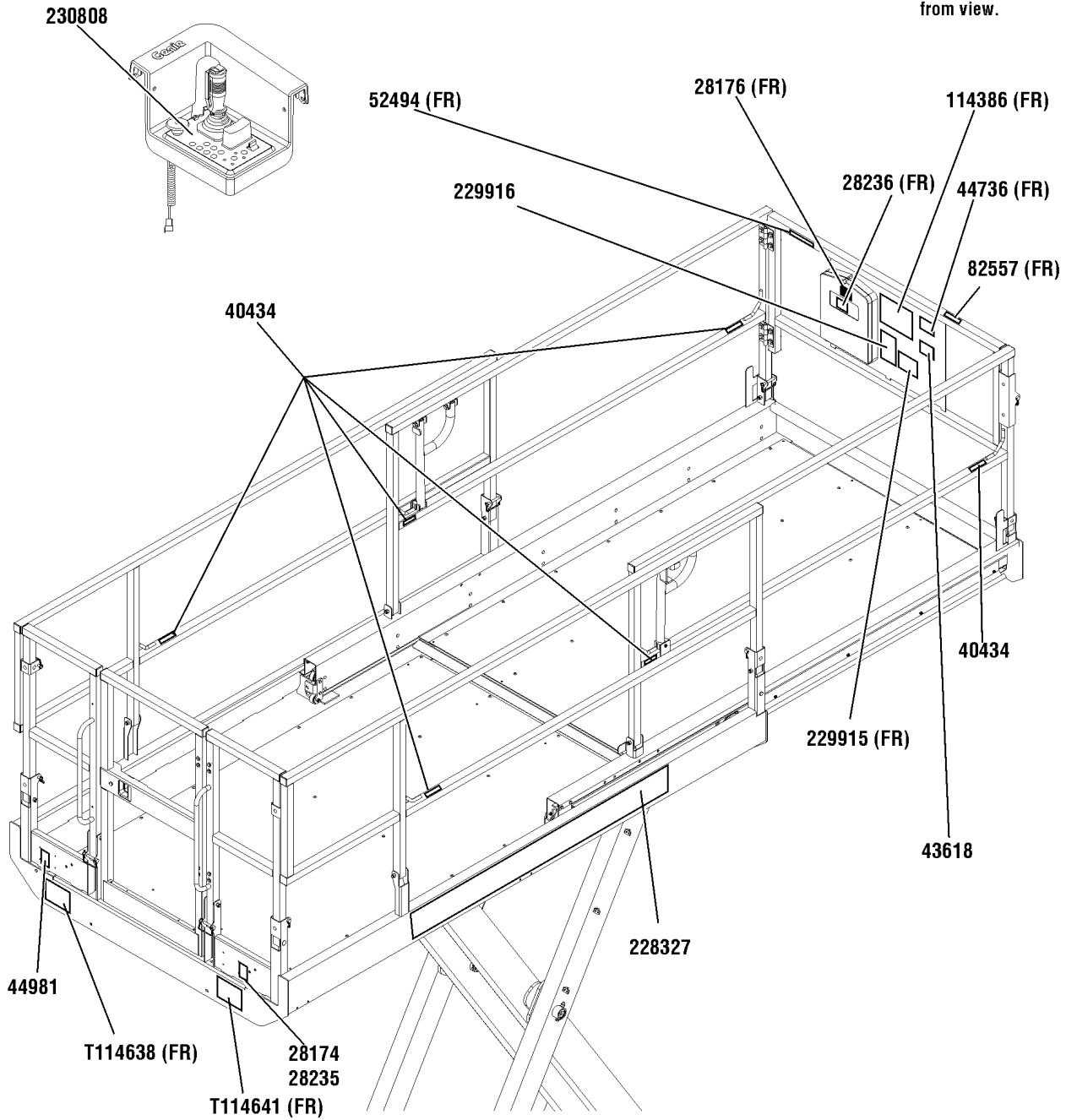
## 102.1 Decals with Words, GS-2669, Controls Side

| Item | Part No.  | Description  | Qty. |
|------|-----------|--|------|
| --   |           | Ref. Word Decal Kits<br>(refer to 101.1)                       |      |
| 1    | 28158GT   | DECAL,LABEL,UNLEADED GAS<br>ONLY.....                          | 1    |
| 2    | 28159GT   | DECAL,DIESEL.....  | 1    |
| 3    | 28174GT   | DECAL, POWER TO PLATFORM<br>230V**.....                        | 1    |
| 4    | 28175GT   | DECAL,WARNING-COMPART<br>ACCESS.....                           | 1    |
| 5    | 28235GT   | DECAL,POWER TO PLATFORM 115V...1                               | 1    |
| 6    | 28373GT   | DECAL,FORK LIFT POCKET.....                                    | 2    |
| 7    | 38149GT   | DECAL,LABEL,PATENTS.....<br>(US only)                          | 1    |
| 8    | 44255GT   | DECAL,DANGER,CRUSHING<br>HAZARD.....                           | 2    |
| 9    | 44981GT   | DECAL,LABEL, AIR LINE 110 PSI.....                             | 1    |
| 10   | 52475GT   | DECAL,LABEL,TRANSPORT<br>TIEDOWN*.....                         | 2    |
| 11   | 52865GT   | DECAL,ANNUAL INSP***.....                                      | 1    |
| 12   | 52967GT   | DECAL,COSMETIC,4 X 4.....                                      | 1    |
| 13   | 72086GT   | DECAL,LABEL,LIFTING EYE.....                                   | 2    |
| 14   | 72186GT   | DECAL,WARNING,CRUSHING<br>HAZARD.....                          | 2    |
| 15   | 82366GT   | DECAL,CHEVRON RANDO HD.....                                    | 1    |
| 16   | 82418GT   | DECAL,GROUND CONTROL PANEL....                                 | 1    |
| 17   | 82558GT   | DECAL,WARN,SKIN INJECTION<br>HAZ*.....                         | 1    |
| 18   | 82561GT   | DECAL,DANGER-USE SAFETY ARM....                                | 1    |
| 19   | 82793GT   | DECAL,NOTICE,OP INST,GROUND....                                | 1    |
| 20   | 97719GT   | DECAL, LABEL, SAFETY ARM SYMB....                              | 1    |
| 21   | 114202GT  | DECAL,LABEL,TRANSPORT TIE 68....                               | 1    |
| 22   | 114258GT  | DECAL,DANGER,NO SMOKING.....                                   | 1    |
| 23   | 114385GT  | DECAL,DANGER,ELEC HAZARD,GS....                                | 1    |
| 24   | 114386GT  | DECAL,DANGER-GEN SAFETY.....                                   | 1    |
| 25   | 133278GT  | DECAL,LOW/ULTRA LOW SULFR<br>FUEL.....<br>(diesel models only) | 1    |
| 26   | 228407GT  | DECAL,GROUND CONTROL PANEL....                                 | 1    |
| 27   | 229427GT  | DECAL,LABEL,OUTRIGGER LD.....                                  | 2    |
| 28   | 229835GT  | DECAL,NOTICE,TIRE SPECS.....<br>(steer end)                    | 1    |
| 29   | 230804GT  | DECAL,NOTICE,TIRE SPECS, REAR....<br>(non-steer end)           | 1    |
| 30   | T114635GT | DECAL,LABEL,WHEEL LD,GS2669RT...2                              | 2    |
| 31   | 1272242GT | DECAL,MACHINE<br>REGISTRATION/OWNER TRANSFER....               | 1    |

103.1 Decals with Words, GS-2669 Platform, ANSI & CSA

# Platform, ANSI/CSA models

☐ Shading indicates decal is hidden from view.



**NOTE:**  
Part numbers with "(FR)" indicates French translation is available



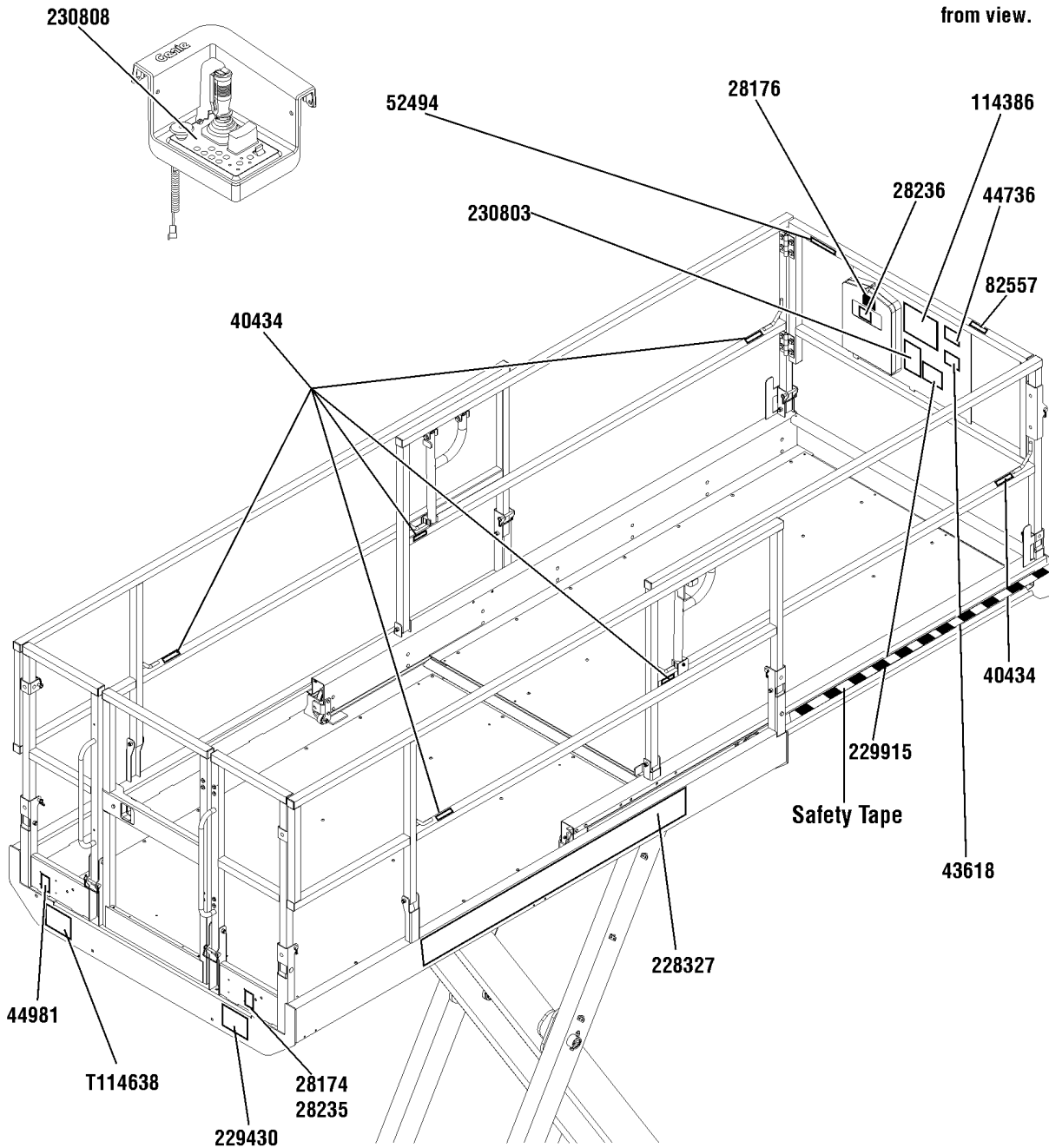
## 103.1 Decals with Words, GS-2669 Platform, ANSI &amp; CSA

| Item | Part No.  | Description  | Qty. |
|------|-----------|--|------|
| --   |           | Ref. Word Decal Kits<br>(refer to 101.1)                       |      |
| 1    | 28174GT   | DECAL, POWER TO PLATFORM<br>230V**.....1                       | 1    |
| 2    | 28176GT   | DECAL,LABEL,MANUAL NOT HERE.....1                              | 1    |
| 3    | 28235GT   | DECAL,POWER TO PLATFORM 115V...1                               | 1    |
| 4    | 28236GT   | DECAL,WARN,IMPROPER<br>OPERATION.....1                         | 1    |
| 5    | 40434GT   | DECAL,LANYARD ANCHORAGE<br>POINT.....6                         | 6    |
| 6    | 43618GT   | DECAL, LABEL - DIRECTION<br>ARROWS.....1                       | 1    |
| 7    | 44736GT   | DECAL,DANGER,TIP-OVER,TILT.....1                               | 1    |
| 8    | 44981GT   | DECAL,LABEL, AIR LINE 110 PSI.....1                            | 1    |
| 9    | 52494GT   | DECAL,CAUTION,CRUSH HAZ,<br>RAILS.....1                        | 1    |
| 10   | 82557GT   | DECAL,LABEL,PLAT CONT<br>LOCATION.....1                        | 1    |
| 11   | 114386GT  | DECAL,DANGER-GEN SAFETY.....1                                  | 1    |
| 12   | 228327GT  | DECAL,COSMETIC,GENIE<br>GS-2669RT.....2                        | 2    |
| 13   | 229915GT  | DECAL,DANGER,OUTRIGGER<br>SAFETY.....1                         | 1    |
| 14   | 229916GT  | DECAL,NOTICE,INST,PLAT-GS69RT.....1                            | 1    |
| 15   | 230808GT  | DECAL,PLAT CONTROL PANEL<br>GS69.....1                         | 1    |
| 16   | T114638GT | DECAL,NOTICE,MAX CAP GS2669.....1<br>(ANSI & CSA models only)  | 1    |
| 17   | T114641GT | DECAL,NOTICE,SIDE FRC,2669 ANS...1<br>(ANSI & CSA models only) | 1    |

104.1 Decals with Words, GS-2669 Platform, Australia

# Platform, Australia models

☐ Shading indicates decal is hidden from view.

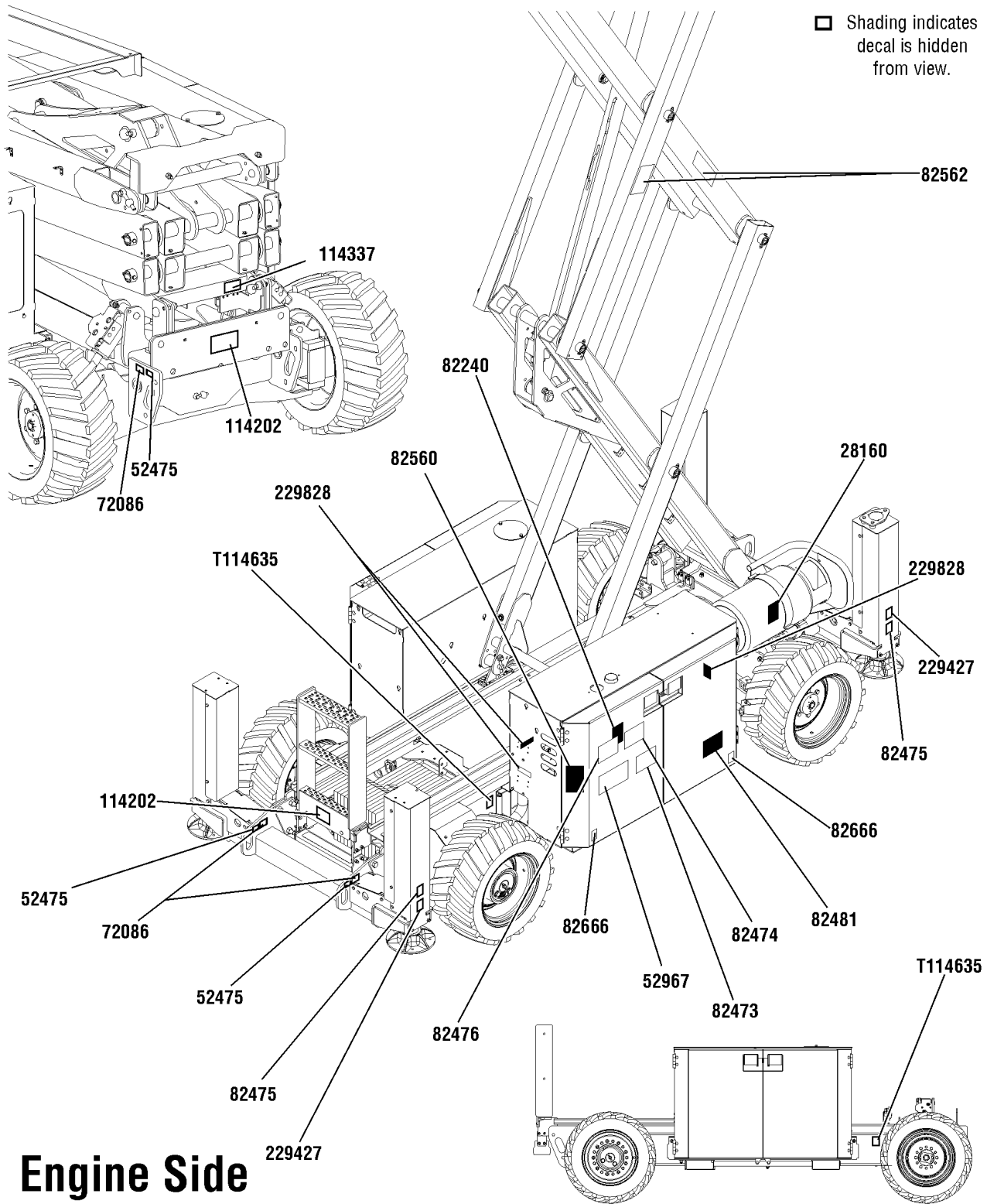


## 104.1 Decals with Words, GS-2669 Platform, Australia

| Item | Part No.  | Description   | Qty. |
|------|-----------|---|------|
| --   |           | Ref. Word Decal Kits<br>(refer to 101.1)                      |      |
| 1    | 28174GT   | DECAL, POWER TO PLATFORM<br>230V**.....1                      | 1    |
| 2    | 28176GT   | DECAL,LABEL,MANUAL NOT HERE.....1                             | 1    |
| 3    | 28235GT   | DECAL,POWER TO PLATFORM 115V...1                              | 1    |
| 4    | 28236GT   | DECAL,WARN,IMPROPER<br>OPERATION.....1                        | 1    |
| 5    | 40434GT   | DECAL,LANYARD ANCHORAGE<br>POINT.....6                        | 6    |
| 6    | 43618GT   | DECAL, LABEL - DIRECTION<br>ARROWS.....1                      | 1    |
| 7    | 44736GT   | DECAL,DANGER,TIP-OVER,TILT.....1                              | 1    |
| 8    | 44981GT   | DECAL,LABEL, AIR LINE 110 PSI.....1                           | 1    |
| 9    | 52494GT   | DECAL,CAUTION,CRUSH HAZ,<br>RAILS.....1                       | 1    |
| 10   | 82557GT   | DECAL,LABEL,PLAT CONT<br>LOCATION.....1                       | 1    |
| 11   | 114386GT  | DECAL,DANGER-GEN SAFETY.....1                                 | 1    |
| 12   | 228327GT  | DECAL,COSMETIC,GENIE<br>GS-2669RT.....2                       | 2    |
| 13   | 229915GT  | DECAL,DANGER,OUTRIGGER<br>SAFETY.....1                        | 1    |
| 14   | 230803GT  | DECAL,NOTICE,INST,PLAT-GS69RT.....1                           | 1    |
| 15   | 230808GT  | DECAL,PLAT CONTROL PANEL<br>GS69.....1                        | 1    |
| 16   | T114638GT | DECAL,NOTICE,MAX CAP GS2669.....1<br>(Australia models only)  | 1    |
| 17   | 229430GT  | DECAL NOTICE,MAN FRC,2669 AUS....1<br>(Australia models only) | 1    |

105.1 Decals with Symbols, GS-2669, Engine Side

☐ Shading indicates decal is hidden from view.



**Engine Side**

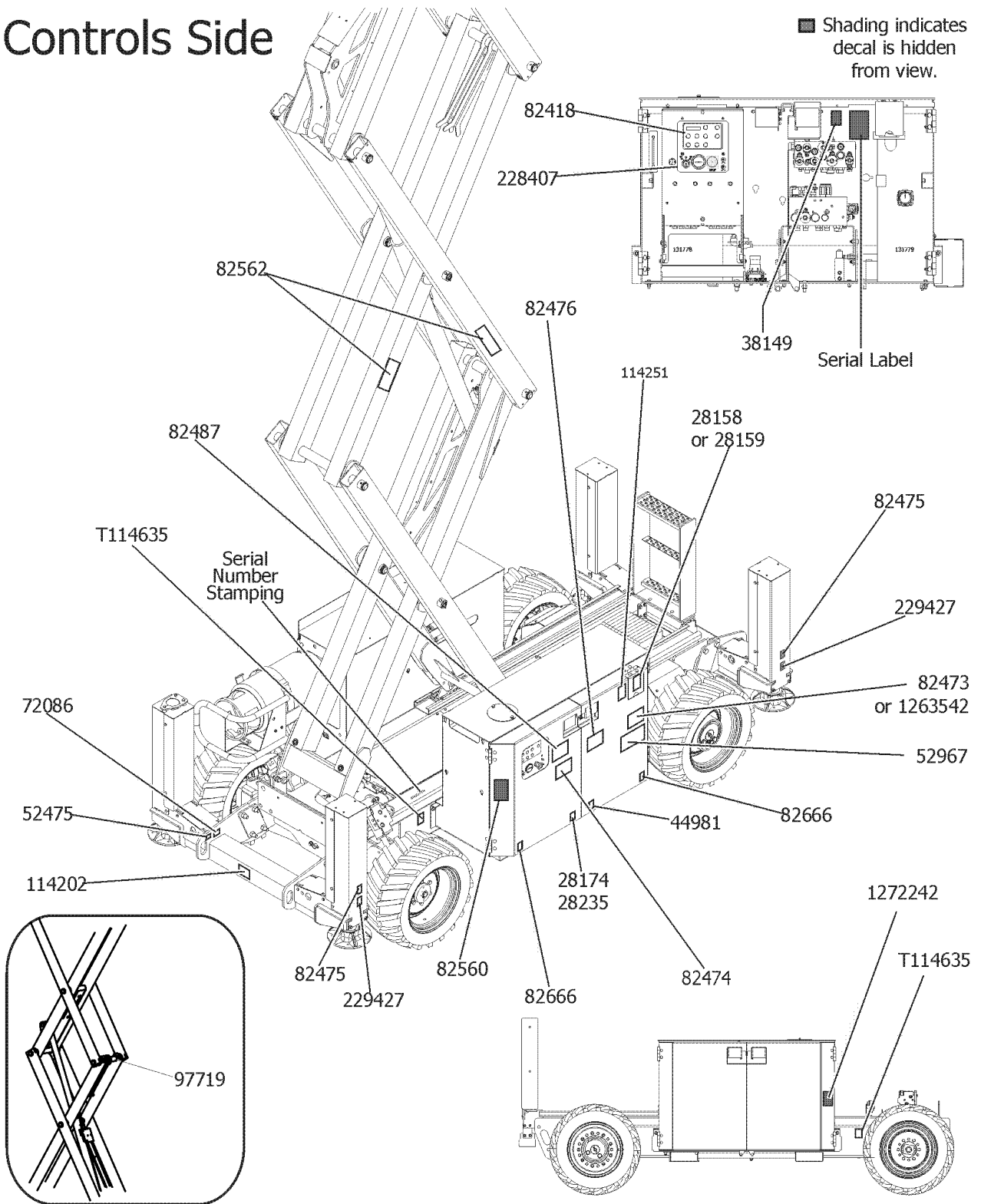
## 105.1 Decals with Symbols, GS-2669, Engine Side

| Item | Part No.  | Description   | Qty. |
|------|-----------|---|------|
| --   | 233040GT  | DECAL KIT,2669 COMP,SYM,ANSI<br><i>(Decal kit, complete for ANSI models only)</i>                     |      |
| --   | 233956GT  | DECAL KIT,2669 COMP,SYM,CE<br><i>(Decal kit, complete for CE models only)</i>                         |      |
| --   | 233959GT  | DECAL KIT,2669 PLAT,SYM,ANSI<br><i>(Decal kit, platform for Asia &amp; South America models only)</i> |      |
| --   | 233962GT  | DECAL KIT,2669 PLAT,SYM,CE<br><i>(Decal kit, platform for CE models only)</i>                         |      |
| 1    | 28160GT   | DECAL,LABEL,LIQUID PROPANE.....   | 1    |
| 2    | 52475GT   | DECAL,LABEL,TRANSPORT<br>TIEDOWN*.....  | 2    |
| 3    | 52967GT   | DECAL,COSMETIC,4 X 4.....   | 1    |
| 4    | 72086GT   | DECAL,LABEL,LIFTING EYE.....  | 2    |
| 5    | 82240GT   | DECAL,LABEL,105 DB.....<br><i>(CE models only)</i>  | 1    |
| 6    | 82473GT   | DECAL,SYMBOL-COMP ACCESS.....   | 1    |
| 7    | 82474GT   | DECAL,SYMBOL-USE SAFETY ARM....   | 1    |
| 8    | 82475GT   | DECAL,SYMBOL-FOOT CRUSHING....  | 2    |
| 9    | 82476GT   | DECAL,SYMBOL-ELEC HAZARD,GS....   | 1    |
| 10   | 82481GT   | DECAL,SYMBOL-BATTERY SAFETY.....  | 1    |
| 11   | 82560GT   | DECAL,SYMBOL-SKIN INJECT<br>HAZRD.....  | 1    |
| 12   | 82562GT   | DECAL,SYMBOL-CRUSHING<br>HAZARD.....  | 2    |
| 13   | 82666GT   | DECAL,LABEL,FORKLIFT POCKET.....  | 2    |
| 14   | 114202GT  | DECAL,LABEL,TRANSPORT TIE 68....  | 1    |
| 15   | 114337GT  | DECAL,SYM-TIP-OVER,LIM SWITCH....   | 1    |
| 16   | 229427GT  | DECAL,LABEL,OUTRIGGER LD.....   | 2    |
| 17   | 229828GT  | DECAL,LABEL,HOT,SYMBOL.....   | 3    |
| 18   | T114635GT | DECAL,LABEL,WHEEL LD,GS2669RT...2   |      |

106.1 Decals with Symbols, GS-2669, Controls Side

# Controls Side

■ Shading indicates decal is hidden from view.

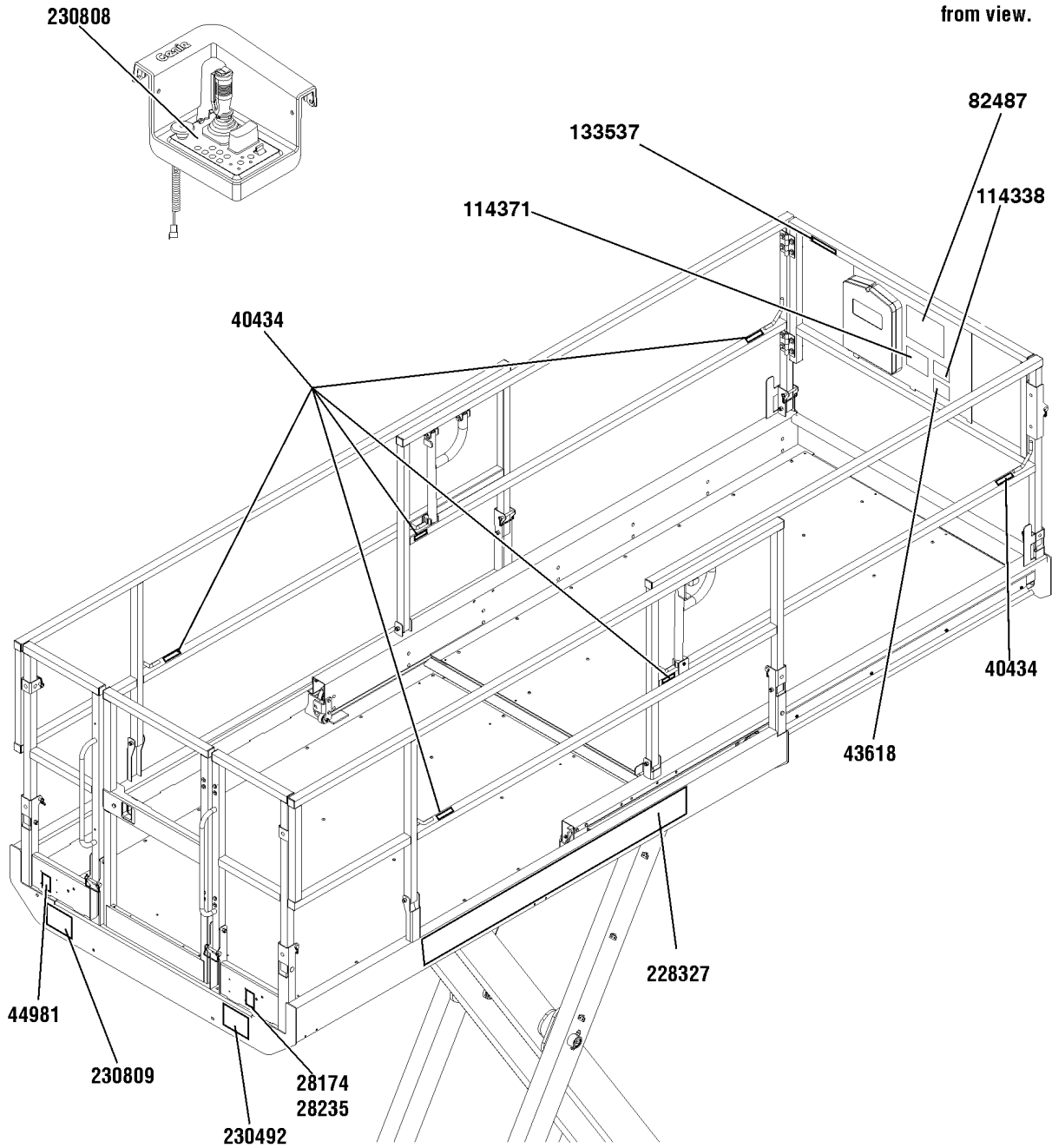


## 106.1 Decals with Symbols, GS-2669, Controls Side

| Item | Part No.  | Description                                      | Qty. |
|------|-----------|--|------|
| --   |           | Ref. Symbol Decal Kits<br>(refer to 105.1)       |      |
| 1    | 28158GT   | DECAL,LABEL,UNLEADED GAS<br>ONLY.....            | 1    |
| 2    | 28159GT   | DECAL,DIESEL.....                                | 1    |
| 3    | 28174GT   | DECAL, POWER TO PLATFORM<br>230V**.....          | 1    |
| 4    | 28235GT   | DECAL,POWER TO PLATFORM 115V....                 | 1    |
| 5    | 38149GT   | DECAL,LABEL,PATENTS.....<br>(US models only)     | 1    |
| 6    | 44981GT   | DECAL,LABEL, AIR LINE 110 PSI.....               | 1    |
| 7    | 52475GT   | DECAL,LABEL,TRANSPORT<br>TIEDOWN*.....           | 2    |
| 8    | 52967GT   | DECAL,COSMETIC,4 X 4.....                        | 1    |
| 9    | 72086GT   | DECAL,LABEL,LIFTING EYE.....                     | 2    |
| 10   | 82418GT   | DECAL,GROUND CONTROL PANEL.....                  | 1    |
| 11   | 82473GT   | DECAL,SYMBOL-COMP ACCESS.....                    | 1    |
| 12   | 82474GT   | DECAL,SYMBOL-USE SAFETY ARM....                  | 1    |
| 13   | 82475GT   | DECAL,SYMBOL-FOOT CRUSHING....                   | 2    |
| 14   | 82476GT   | DECAL,SYMBOL-ELEC HAZARD,GS.....                 | 1    |
| 15   | 82487GT   | DECAL, SYMBOL - READ THE<br>MANUAL.....          | 1    |
| 16   | 82560GT   | DECAL,SYMBOL-SKIN INJECT<br>HAZRD.....           | 1    |
| 17   | 82562GT   | DECAL,SYMBOL-CRUSHING<br>HAZARD.....             | 2    |
| 18   | 82666GT   | DECAL,LABEL,FORKLIFT POCKET.....                 | 2    |
| 19   | 97719GT   | DECAL, LABEL, SAFETY ARM SYMB....                | 1    |
| 20   | 114202GT  | DECAL,LABEL,TRANSPORT TIE 68....                 | 1    |
| 21   | 114251GT  | DECAL,LABEL,NO SMOKING,SYMB....                  | 1    |
| 22   | 228407GT  | DECAL,GROUND CONTROL PANEL.....                  | 1    |
| 23   | 229427GT  | DECAL,LABEL,OUTRIGGER LD.....                    | 2    |
| 24   | T114635GT | DECAL,LABEL,WHEEL LD,GS2669RT...2                |      |
| 25   | 1272242GT | DECAL,MACHINE<br>REGISTRATION/OWNER TRANSFER.... | 1    |

# Platform, ANSI models

☐ Shading indicates decal is hidden from view.





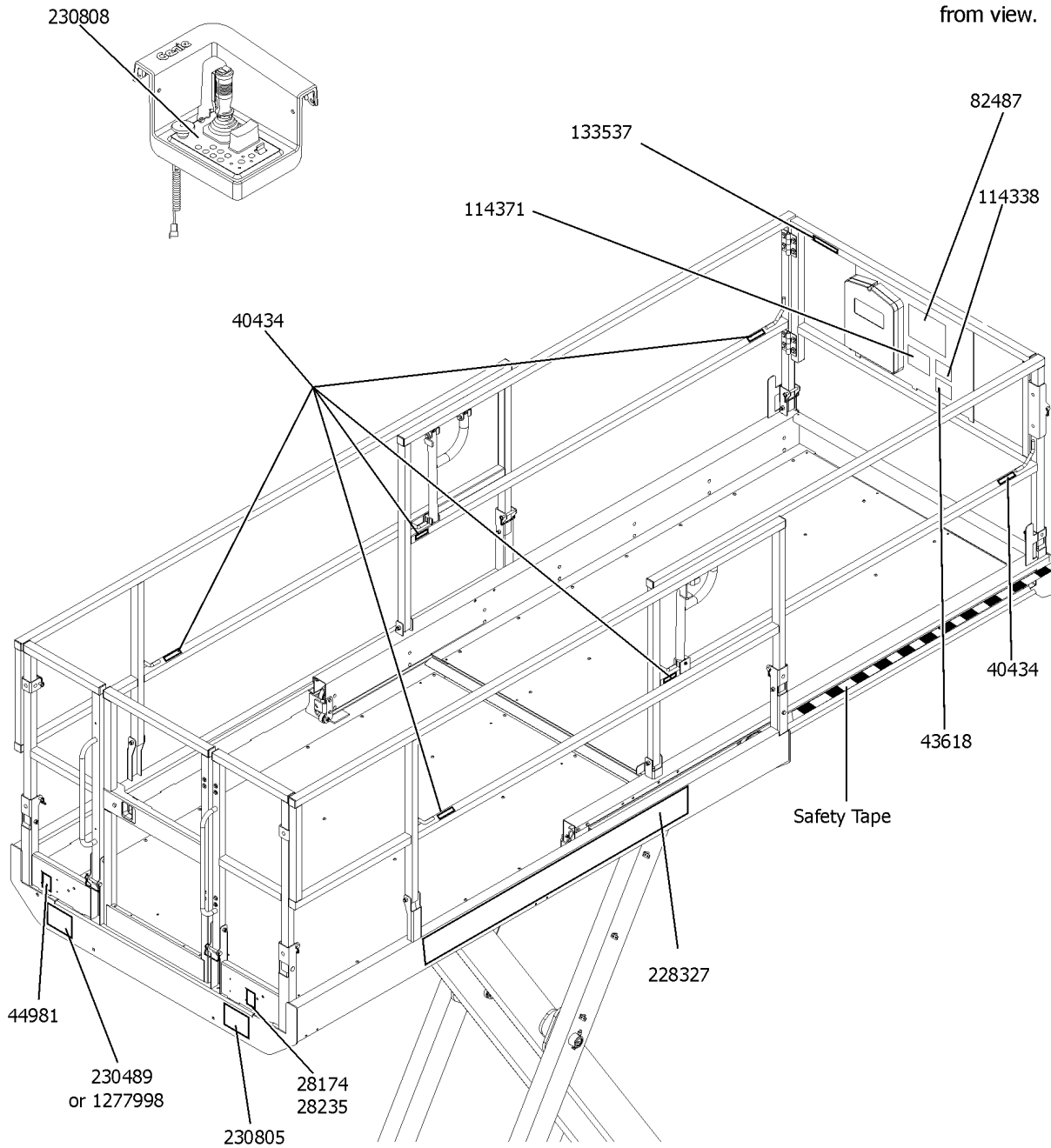
## 107.1 Decals with Symbols, GS-2669 Platform, Asia &amp; South America

| Item | Part No. | Description   | Qty. |
|------|----------|---|------|
| --   |          | Ref. Symbol Decal Kits<br>(refer to 105.1)                            |      |
| 1    | 28174GT  | DECAL, POWER TO PLATFORM<br>230V**.....                               | 1    |
| 2    | 28235GT  | DECAL,POWER TO PLATFORM 115V...1                                      | 1    |
| 3    | 40434GT  | DECAL,LANYARD ANCHORAGE<br>POINT.....                                 | 6    |
| 4    | 43618GT  | DECAL, LABEL - DIRECTION<br>ARROWS.....                               | 1    |
| 5    | 44981GT  | DECAL,LABEL, AIR LINE 110 PSI.....1                                   | 1    |
| 6    | 82487GT  | DECAL, SYMBOL - READ THE<br>MANUAL.....                               | 1    |
| 7    | 114338GT | DECAL,SYM-TIP-OVER,TILT ALARM.....1                                   | 1    |
| 8    | 114371GT | DECAL,SYM-TIP-OVER,OUTRGR.....1                                       | 1    |
| 9    | 133537GT | DECAL,CRUSH HAZ RAILS SYMB.....1                                      | 1    |
| 10   | 228327GT | DECAL,COSMETIC,GENIE<br>GS-2669RT.....                                | 2    |
| 11   | 230492GT | DECAL,DANGER,SIDE FRC,GS2669.....1<br>(Asia & S. America models only) | 1    |
| 12   | 230808GT | DECAL,PLAT CONTROL PANEL<br>GS69.....                                 | 1    |
| 13   | 230809GT | DECAL,NOTICE,MAX CAP GS2669.....1<br>(Asia & S. America models only)  | 1    |

108.1 Decals with Symbols, GS-2669 Platform, CE

# Platform, CE models

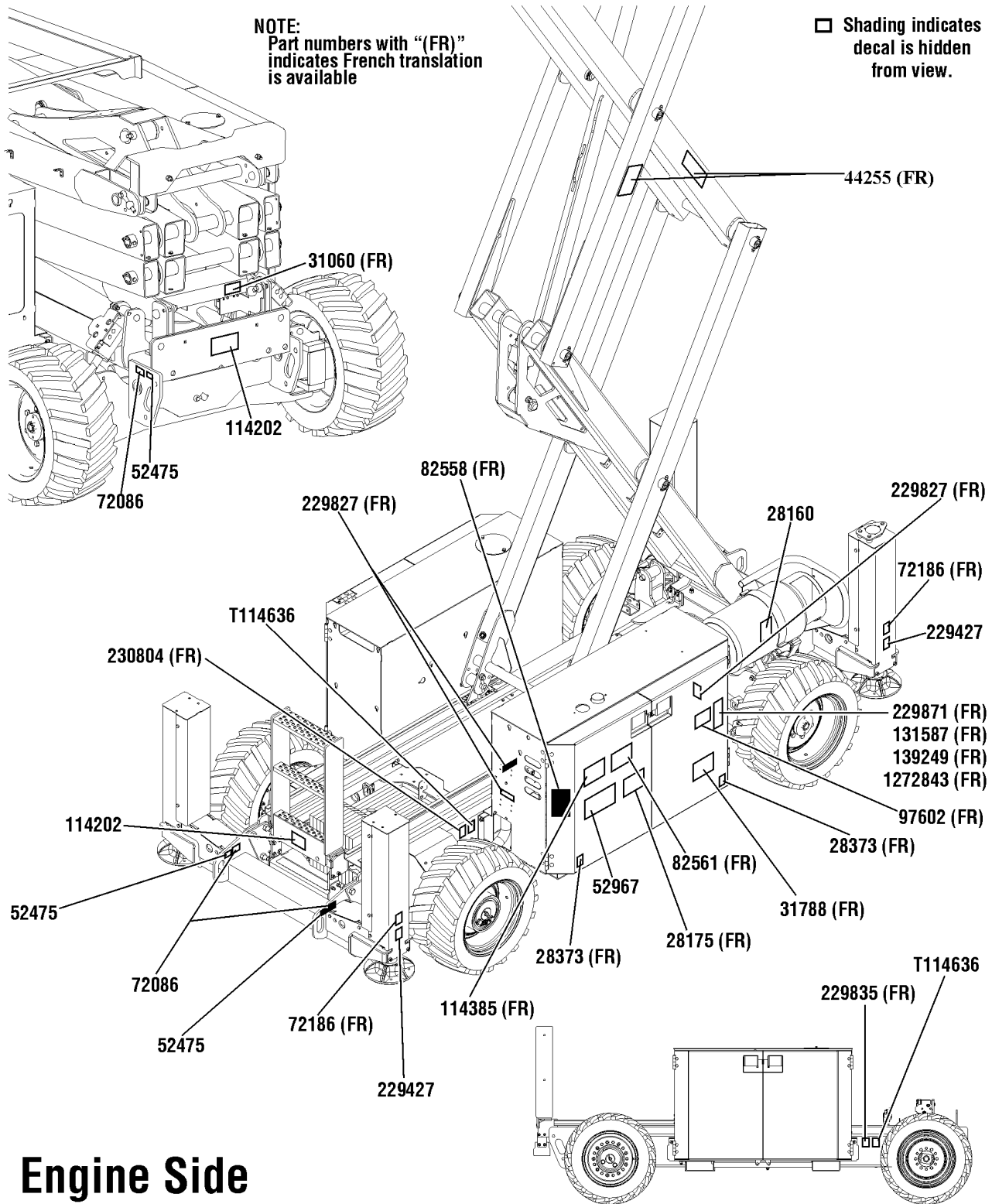
☐ Shading indicates decal is hidden from view.



## 108.1 Decals with Symbols, GS-2669 Platform, CE

| Item | Part No. | Description   | Qty. |
|------|----------|---|------|
| --   |          | Ref. Symbol Decal Kits<br>(refer to 105.1)            |      |
| 1    | 28174GT  | DECAL, POWER TO PLATFORM<br>230V**.....1              | 1    |
| 2    | 28235GT  | DECAL,POWER TO PLATFORM 115V...1                      | 1    |
| 3    | 40434GT  | DECAL,LANYARD ANCHORAGE<br>POINT.....6                | 6    |
| 4    | 43618GT  | DECAL, LABEL - DIRECTION<br>ARROWS.....1              | 1    |
| 5    | 44981GT  | DECAL,LABEL, AIR LINE 110 PSI.....1                   | 1    |
| 6    | 82487GT  | DECAL, SYMBOL - READ THE<br>MANUAL.....1              | 1    |
| 7    | 114338GT | DECAL,SYM-TIP-OVER,TILT ALARM.....1                   | 1    |
| 8    | 114371GT | DECAL,SYM-TIP-OVER,OUTRGR.....1                       | 1    |
| 9    | 133537GT | DECAL,CRUSH HAZ RAILS SYMB.....1                      | 1    |
| 10   | 228327GT | DECAL,COSMETIC,GENIE<br>GS-2669RT.....2               | 2    |
| 11   | 230489GT | DECAL,NOTICE,MAX CAP GS2669.....1<br>(CE models only) | 1    |
| 12   | 230808GT | DECAL,PLAT CONTROL PANEL<br>GS69.....1                | 1    |
| 13   | 230805GT | DECAL,DANGER,MAN FRC, GS2669....1<br>(CE models only) | 1    |

109.1 Decals with Words, GS-3369, Engine Side



## 109.1 Decals with Words, GS-3369, Engine Side

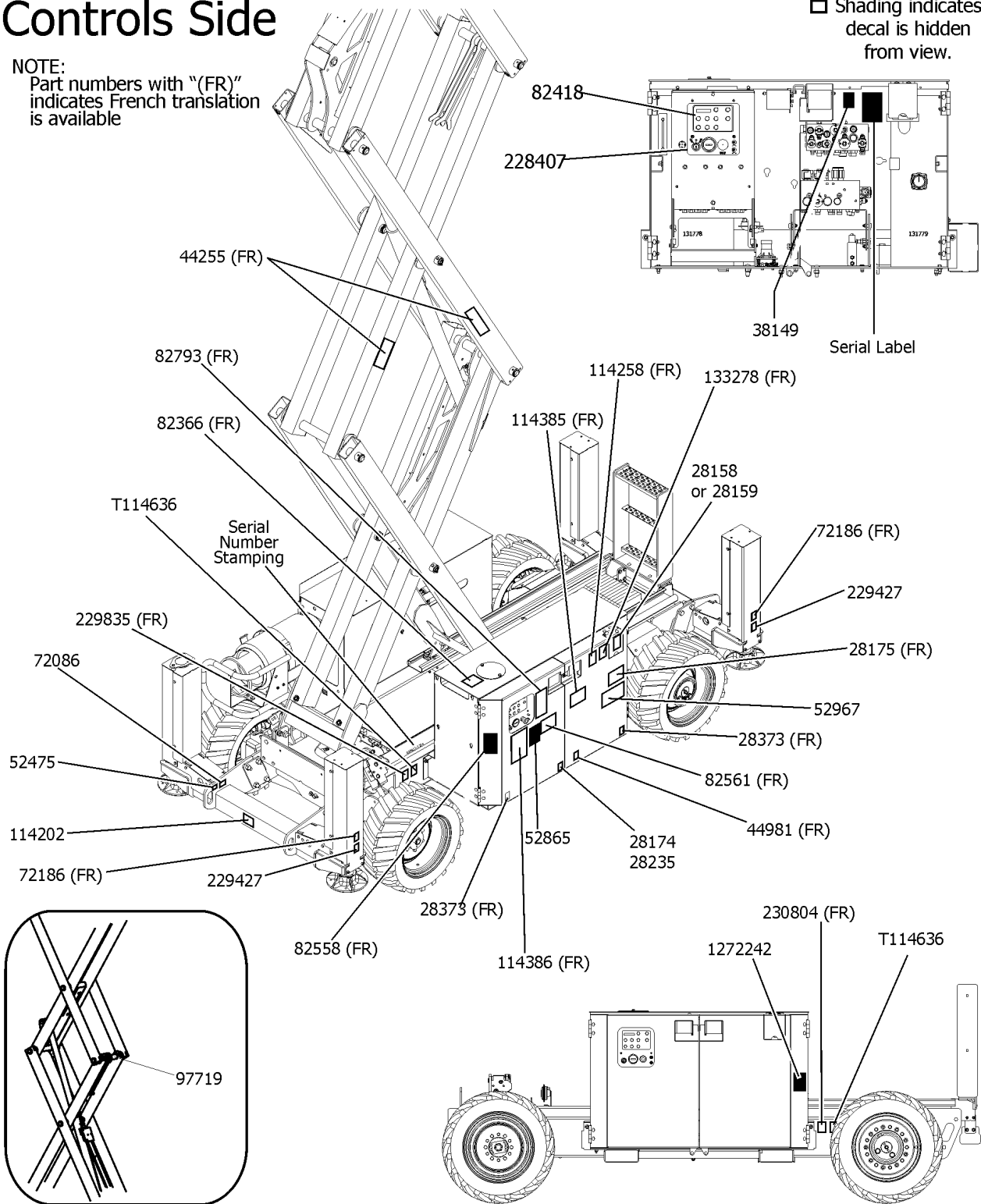
| Item | Part No.  | Description  | Qty. |
|------|-----------|--|------|
| --   | 233042GT  | DECAL KIT, 3369 COMP,WRD,ANSI<br><i>(Decal kit, complete for ANSI models only)</i> |      |
| --   | 233045GT  | DECAL KIT, 3369 COMP,WRD,AUS<br><i>(Decal kit, complete for AUS models only)</i>   |      |
| --   | 233048GT  | DECAL KIT, 3369 PLAT,WRD,ANSI<br><i>(Decal kit, platform for ANSI models only)</i> |      |
| --   | 233801GT  | DECAL KIT, 3369 PLAT,WRD,AUS<br><i>(Decal kit, platform for AUS models only)</i>   |      |
| 1    | 28160GT   | DECAL,LABEL,LIQUID PROPANE.....  | 1    |
| 2    | 28175GT   | DECAL,WARNING-COMPART<br>ACCESS.....   | 1    |
| 3    | 28373GT   | DECAL,FORK LIFT POCKET.....  | 2    |
| 4    | 31060GT   | DECAL,DANGER DO NOT ALTER<br>SWTC.....   | 1    |
| 5    | 31788GT   | DECAL,DANGER,BATTERY<br>SAFETY***.....   | 1    |
| 6    | 44255GT   | DECAL,DANGER,CRUSHING<br>HAZARD.....   | 2    |
| 7    | 52475GT   | DECAL,LABEL,TRANSPORT<br>TIEDOWN*.....   | 2    |
| 8    | 52967GT   | DECAL,COSMETIC,4 X 4.....  | 1    |
| 9    | 72086GT   | DECAL,LABEL,LIFTING EYE.....   | 2    |
| 10   | 72186GT   | DECAL,WARNING,CRUSHING<br>HAZARD.....  | 2    |
| 11   | 82558GT   | DECAL,WARN,SKIN INJECTION<br>HAZ*.....   | 1    |
| 12   | 82561GT   | DECAL,DANGER-USE SAFETY ARM....  | 1    |
| 13   | 97602GT   | DECAL,EXPLOSION HAZARD.....  | 1    |
| 14   | 114202GT  | DECAL,LABEL,TRANSPORT TIE 68....   | 1    |
| 15   | 114385GT  | DECAL,DANGER,ELEC HAZARD,GS....  | 1    |
| 16   | 131587GT  | DECAL,NOTICE,KUB,D1105,T4.....<br><i>(option)</i>                                  | 1    |
| 17   | 139249GT  | DECAL,NOTICE,PERKINS 403D<br>SPEC.....<br><i>(option)</i>                          | 1    |
| 18   | 229427GT  | DECAL,LABEL,OUTRIGGER LD.....  | 2    |
| 19   | 229827GT  | DECAL,WARNING,HOT SURFACE.....   | 3    |
| 20   | 229835GT  | DECAL,NOTICE,TIRE SPECS.....<br><i>(steer end)</i>                                 | 1    |
| 21   | 229871GT  | DECAL,NOTICE,KUBOTA GAS<br>SPECS.....<br><i>(option)</i>                           | 1    |
| 22   | 230804GT  | DECAL,NOTICE,TIRE SPECS, REAR....<br><i>(non-steer end)</i>                        | 1    |
| 23   | 1272843GT | DECAL,NOTICE,GM .998L SPEC.....<br><i>(option)</i>                                 | 1    |
| 24   | T114636GT | DECAL,LABEL,WHEEL LD,GS3369RT...2  |      |

110.1 Decals with Words, GS-3369, Controls Side

# Controls Side

NOTE:  
Part numbers with "(FR)" indicates French translation is available

☐ Shading indicates decal is hidden from view.



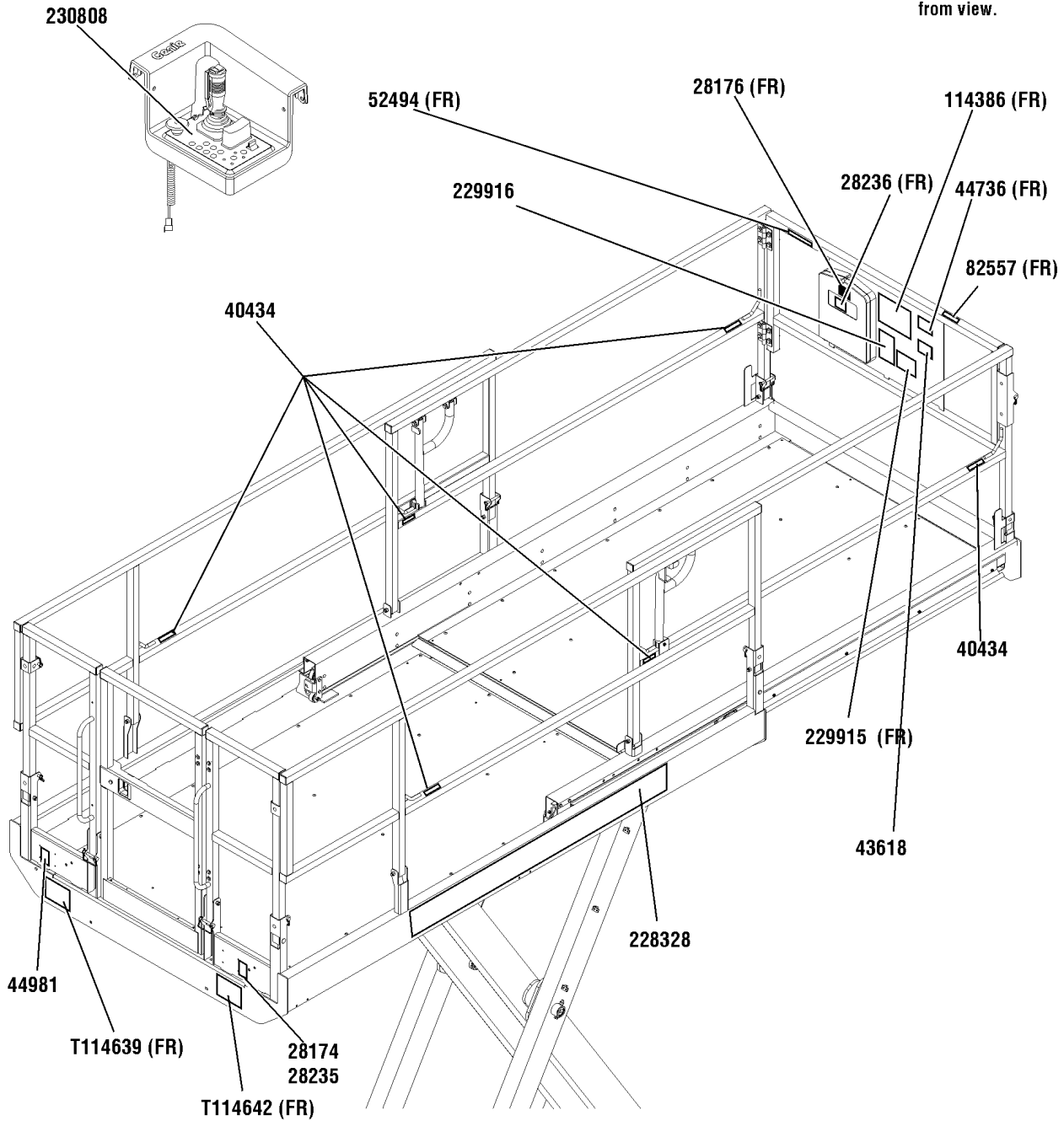
## 110.1 Decals with Words, GS-3369, Controls Side

| Item | Part No.  | Description  | Qty. |
|------|-----------|--|------|
| --   |           | Ref. Word Decal Kits<br>(refer to 109.1)                       |      |
| 1    | 28158GT   | DECAL,LABEL,UNLEADED GAS<br>ONLY.....                          | 1    |
| 2    | 28159GT   | DECAL,DIESEL.....  | 1    |
| 3    | 28174GT   | DECAL, POWER TO PLATFORM<br>230V**.....                        | 1    |
| 4    | 28175GT   | DECAL,WARNING-COMPART<br>ACCESS.....                           | 1    |
| 5    | 28235GT   | DECAL,POWER TO PLATFORM 115V...1                               | 1    |
| 6    | 28373GT   | DECAL,FORK LIFT POCKET.....                                    | 2    |
| 7    | 38149GT   | DECAL,LABEL,PATENTS.....<br>(US models only)                   | 1    |
| 8    | 44255GT   | DECAL,DANGER,CRUSHING<br>HAZARD.....                           | 2    |
| 9    | 44981GT   | DECAL,LABEL, AIR LINE 110 PSI.....                             | 1    |
| 10   | 52475GT   | DECAL,LABEL,TRANSPORT<br>TIEDOWN*.....                         | 2    |
| 11   | 52865GT   | DECAL,ANNUAL INSP***.....                                      | 1    |
| 12   | 52967GT   | DECAL,COSMETIC,4 X 4.....                                      | 1    |
| 13   | 72086GT   | DECAL,LABEL,LIFTING EYE.....                                   | 2    |
| 14   | 72186GT   | DECAL,WARNING,CRUSHING<br>HAZARD.....                          | 2    |
| 15   | 82366GT   | DECAL,CHEVRON RANDO HD.....                                    | 1    |
| 16   | 82418GT   | DECAL,GROUND CONTROL PANEL....                                 | 1    |
| 17   | 82558GT   | DECAL,WARN,SKIN INJECTION<br>HAZ*.....                         | 1    |
| 18   | 82561GT   | DECAL,DANGER-USE SAFETY ARM....                                | 1    |
| 19   | 82793GT   | DECAL,NOTICE,OP INST,GROUND....                                | 1    |
| 20   | 97719GT   | DECAL, LABEL, SAFETY ARM SYMB....                              | 1    |
| 21   | 114202GT  | DECAL,LABEL,TRANSPORT TIE 68....                               | 1    |
| 22   | 114258GT  | DECAL,DANGER,NO SMOKING.....                                   | 1    |
| 23   | 114385GT  | DECAL,DANGER,ELEC HAZARD,GS....                                | 1    |
| 24   | 114386GT  | DECAL,DANGER-GEN SAFETY.....                                   | 1    |
| 25   | 133278GT  | DECAL,LOW/ULTRA LOW SULFR<br>FUEL.....<br>(diesel models only) | 1    |
| 26   | 228407GT  | DECAL,GROUND CONTROL PANEL....                                 | 1    |
| 27   | 229427GT  | DECAL,LABEL,OUTRIGGER LD.....                                  | 2    |
| 28   | 229835GT  | DECAL,NOTICE,TIRE SPECS.....<br>(steer end)                    | 1    |
| 29   | 230804GT  | DECAL,NOTICE,TIRE SPECS, REAR....<br>(non-steer end)           | 1    |
| 30   | T114636GT | DECAL,LABEL,WHEEL LD,GS3369RT...2                              | 2    |
| 31   | 1272242GT | DECAL,MACHINE<br>REGISTRATION/OWNER TRANSFER....               | 1    |

111.1 Decals with Words, GS-3369 Platform, ANSI & CSA

# Platform, ANSI/CSA models

☐ Shading indicates decal is hidden from view.



**NOTE:**  
Part numbers with "(FR)" indicates French translation is available

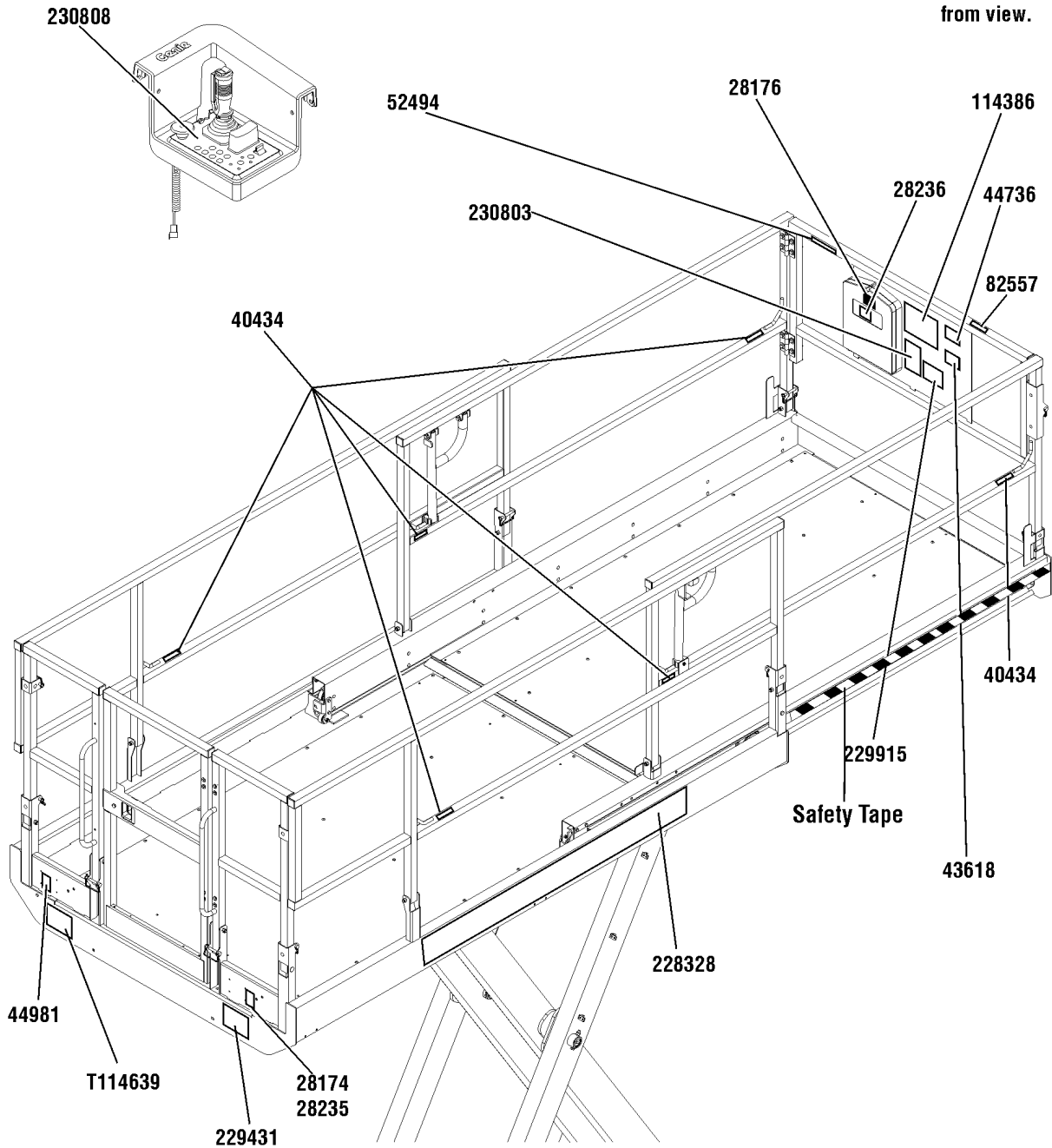


## 111.1 Decals with Words, GS-3369 Platform, ANSI &amp; CSA

| Item | Part No.  | Description   | Qty. |
|------|-----------|---|------|
| --   |           | Ref. Word Decal Kits<br>(refer to 109.1)                      |      |
| 1    | 28174GT   | DECAL, POWER TO PLATFORM<br>230V**.....1                      | 1    |
| 2    | 28176GT   | DECAL,LABEL,MANUAL NOT HERE.....1                             | 1    |
| 3    | 28235GT   | DECAL,POWER TO PLATFORM 115V...1                              | 1    |
| 4    | 28236GT   | DECAL,WARN,IMPROPER<br>OPERATION.....1                        | 1    |
| 5    | 40434GT   | DECAL,LANYARD ANCHORAGE<br>POINT.....6                        | 6    |
| 6    | 43618GT   | DECAL, LABEL - DIRECTION<br>ARROWS.....1                      | 1    |
| 7    | 44736GT   | DECAL,DANGER,TIP-OVER,TILT.....1                              | 1    |
| 8    | 44981GT   | DECAL,LABEL, AIR LINE 110 PSI.....1                           | 1    |
| 9    | 52494GT   | DECAL,CAUTION,CRUSH HAZ,<br>RAILS.....1                       | 1    |
| 10   | 82557GT   | DECAL,LABEL,PLAT CONT<br>LOCATION.....1                       | 1    |
| 11   | 114386GT  | DECAL,DANGER-GEN SAFETY.....1                                 | 1    |
| 12   | 228328GT  | DECAL,COSMETIC,GENIE<br>GS-3369RT.....2                       | 2    |
| 13   | 229915GT  | DECAL,DANGER,OUTRIGGER<br>SAFETY.....1                        | 1    |
| 14   | 229916GT  | DECAL,NOTICE,INST,PLAT-GS69RT.....1                           | 1    |
| 15   | 230808GT  | DECAL,PLAT CONTROL PANEL<br>GS69.....1                        | 1    |
| 16   | T114639GT | DECAL,NOTICE,MAX CAP,GS3369.....1<br>(ANSI & CSA modes only)  | 1    |
| 17   | T114642GT | DECAL,NOTICE,SIDE FRC,3369 ANS...1<br>(ANSI & CSA modes only) | 1    |

# Platform, Australia models

☐ Shading indicates decal is hidden from view.



## 112.1 Decals with Words, GS-3369 Platform, Australia

| Item | Part No. | Description   | Qty. |
|------|----------|---|------|
| --   |          | Ref. Word Decal Kits<br>(refer to 109.1)                      |      |
| 1    | 28174GT  | DECAL, POWER TO PLATFORM<br>230V**.....1                      | 1    |
| 2    | 28176GT  | DECAL,LABEL,MANUAL NOT HERE.....1                             | 1    |
| 3    | 28235GT  | DECAL,POWER TO PLATFORM 115V...1                              | 1    |
| 4    | 28236GT  | DECAL,WARN,IMPROPER<br>OPERATION.....1                        | 1    |
| 5    | 40434GT  | DECAL,LANYARD ANCHORAGE<br>POINT.....6                        | 6    |
| 6    | 43618GT  | DECAL, LABEL - DIRECTION<br>ARROWS.....1                      | 1    |
| 7    | 44736GT  | DECAL,DANGER,TIP-OVER,TILT.....1                              | 1    |
| 8    | 44981GT  | DECAL,LABEL, AIR LINE 110 PSI.....1                           | 1    |
| 9    | 52494GT  | DECAL,CAUTION,CRUSH HAZ,<br>RAILS.....1                       | 1    |
| 10   | 82557GT  | DECAL,LABEL,PLAT CONT<br>LOCATION.....1                       | 1    |
| 11   | 114386GT | DECAL,DANGER-GEN SAFETY.....1                                 | 1    |
| 12   | 228328GT | DECAL,COSMETIC,GENIE<br>GS-3369RT.....2                       | 2    |
| 13   | 229915GT | DECAL,DANGER,OUTRIGGER<br>SAFETY.....1                        | 1    |
| 14   | 230803GT | DECAL,NOTICE,INST,PLAT-GS69RT.....1                           | 1    |
| 15   | 230808GT | DECAL,PLAT CONTROL PANEL<br>GS69.....1                        | 1    |
| 16   | 230490GT | DECAL,NOTICE,MAX CAP GS3369.....1<br>(Australia models only)  | 1    |
| 17   | 229431GT | DECAL,NOTICE,MAN FRC,3369 AUS....1<br>(Australia models only) | 1    |



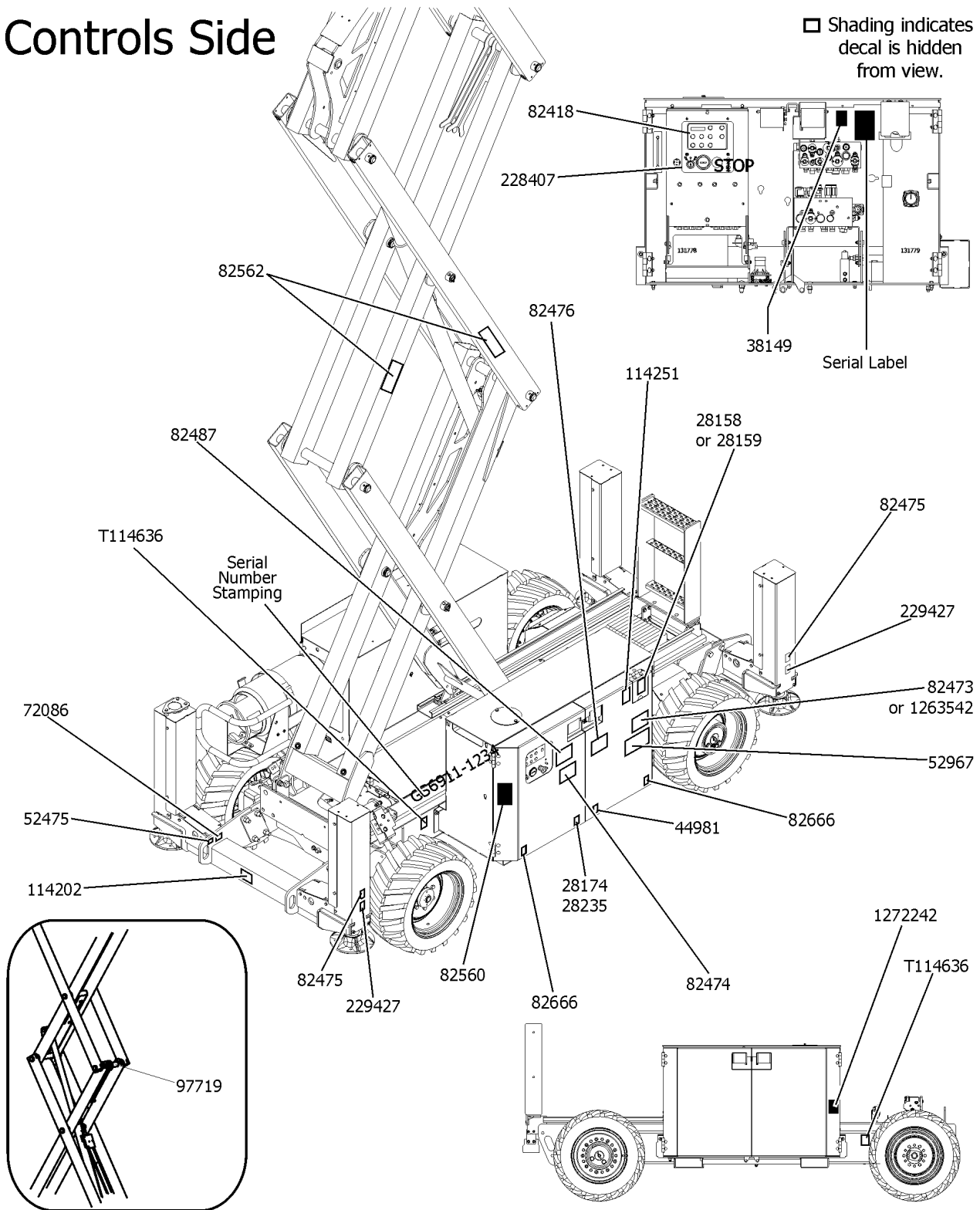
## 113.1 Decals with Symbols, GS-3369, Engine Side

| Item | Part No.  | Description  | Qty. |
|------|-----------|--|------|
| --   | 233954GT  | DECAL KIT,3369 COMP,SYM,ANSI<br>(Decal kit, complete for ANSI models only)                 |      |
| --   | 233957GT  | DECAL KIT,3369 COMP,SYM,CE<br>(Decal kit, complete for CE models only)                     |      |
| --   | 233960GT  | DECAL KIT,3369 PLAT,SYM,ANSI<br>(Decal kit, platform for Asia & South America models only) |      |
| --   | 233963GT  | DECAL KIT,3369 PLAT,SYM,CE<br>(Decal kit, platform for CE models only)                     |      |
| 1    | 28160GT   | DECAL,LABEL,LIQUID PROPANE.....1   |      |
| 2    | 52475GT   | DECAL,LABEL,TRANSPORT<br>TIEDOWN*.....2  |      |
| 3    | 52967GT   | DECAL,COSMETIC,4 X 4.....1   |      |
| 4    | 72086GT   | DECAL,LABEL,LIFTING EYE.....2  |      |
| 5    | 82240GT   | DECAL,LABEL,105 DB.....1<br>(CE models only)   |      |
| 6    | 82473GT   | DECAL,SYMBOL-COMP ACCESS.....1   |      |
| 7    | 82474GT   | DECAL,SYMBOL-USE SAFETY ARM....1   |      |
| 8    | 82475GT   | DECAL,SYMBOL-FOOT CRUSHING....2  |      |
| 9    | 82476GT   | DECAL,SYMBOL-ELEC HAZARD,GS....1   |      |
| 10   | 82481GT   | DECAL,SYMBOL-BATTERY SAFETY.....1  |      |
| 11   | 82560GT   | DECAL,SYMBOL-SKIN INJECT<br>HAZRD.....1  |      |
| 12   | 82562GT   | DECAL,SYMBOL-CRUSHING<br>HAZARD.....2  |      |
| 13   | 82666GT   | DECAL,LABEL,FORKLIFT POCKET.....2  |      |
| 14   | 114202GT  | DECAL,LABEL,TRANSPORT TIE 68....1  |      |
| 15   | 114337GT  | DECAL,SYM-TIP-OVER,LIM SWITCH...1  |      |
| 16   | 229427GT  | DECAL,LABEL,OUTRIGGER LD.....2   |      |
| 17   | 229828GT  | DECAL,LABEL,HOT,SYMBOL.....3   |      |
| 18   | T114636GT | DECAL,LABEL,WHEEL LD,GS3369RT...2  |      |

114.1 Decals with Symbols, GS-3369, Controls Side

# Controls Side

☐ Shading indicates decal is hidden from view.

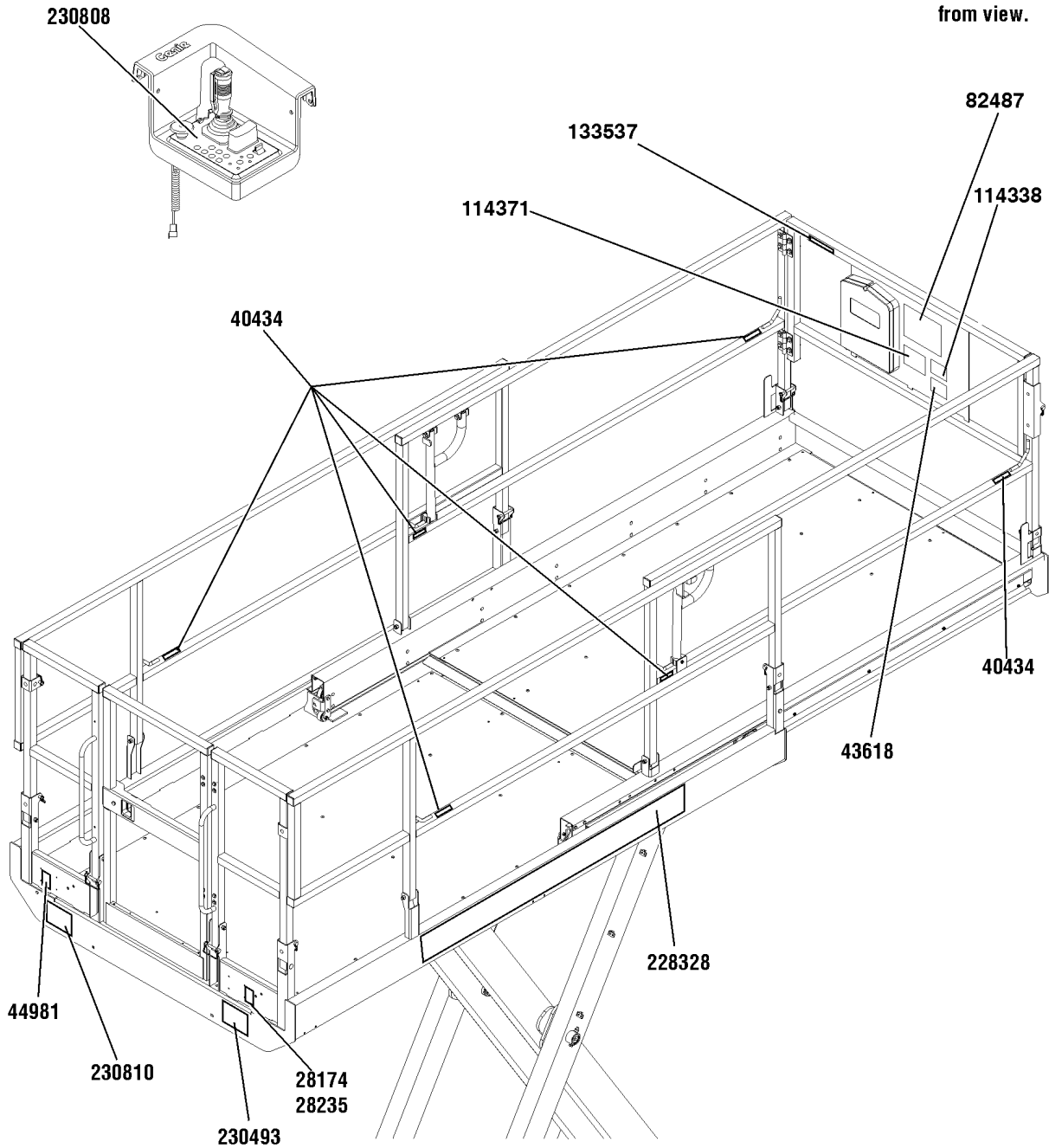


## 114.1 Decals with Symbols, GS-3369, Controls Side

| Item | Part No.  | Description                                      | Qty. |
|------|-----------|--|------|
| --   |           | Ref. Symbol Decal Kits<br>(refer to 113.1)       |      |
| 1    | 28158GT   | DECAL,LABEL,UNLEADED GAS<br>ONLY.....            | 1    |
| 2    | 28159GT   | DECAL,DIESEL.....                                | 1    |
| 3    | 28174GT   | DECAL, POWER TO PLATFORM<br>230V**.....          | 1    |
| 4    | 28235GT   | DECAL,POWER TO PLATFORM 115V....                 | 1    |
| 5    | 38149GT   | DECAL,LABEL,PATENTS.....<br>(US models only)     | 1    |
| 6    | 44981GT   | DECAL,LABEL, AIR LINE 110 PSI.....               | 1    |
| 7    | 52475GT   | DECAL,LABEL,TRANSPORT<br>TIEDOWN*.....           | 2    |
| 8    | 52967GT   | DECAL,COSMETIC,4 X 4.....                        | 1    |
| 9    | 72086GT   | DECAL,LABEL,LIFTING EYE.....                     | 2    |
| 10   | 82418GT   | DECAL,GROUND CONTROL PANEL.....                  | 1    |
| 11   | 82473GT   | DECAL,SYMBOL-COMP ACCESS.....                    | 1    |
| 12   | 82474GT   | DECAL,SYMBOL-USE SAFETY ARM....                  | 1    |
| 13   | 82475GT   | DECAL,SYMBOL-FOOT CRUSHING....                   | 2    |
| 14   | 82476GT   | DECAL,SYMBOL-ELEC HAZARD,GS.....                 | 1    |
| 15   | 82487GT   | DECAL, SYMBOL - READ THE<br>MANUAL.....          | 1    |
| 16   | 82560GT   | DECAL,SYMBOL-SKIN INJECT<br>HAZRD.....           | 1    |
| 17   | 82562GT   | DECAL,SYMBOL-CRUSHING<br>HAZARD.....             | 2    |
| 18   | 82666GT   | DECAL,LABEL,FORKLIFT POCKET.....                 | 2    |
| 19   | 97719GT   | DECAL, LABEL, SAFETY ARM SYMB....                | 1    |
| 20   | 114202GT  | DECAL,LABEL,TRANSPORT TIE 68....                 | 1    |
| 21   | 114251GT  | DECAL,LABEL,NO SMOKING,SYMB....                  | 1    |
| 22   | 228407GT  | DECAL,GROUND CONTROL PANEL.....                  | 1    |
| 23   | 229427GT  | DECAL,LABEL,OUTRIGGER LD.....                    | 2    |
| 24   | T114636GT | DECAL,LABEL,WHEEL LD,GS3369RT...2                |      |
| 25   | 1272242GT | DECAL,MACHINE<br>REGISTRATION/OWNER TRANSFER.... | 1    |

# Platform, ANSI models

☐ Shading indicates decal is hidden from view.





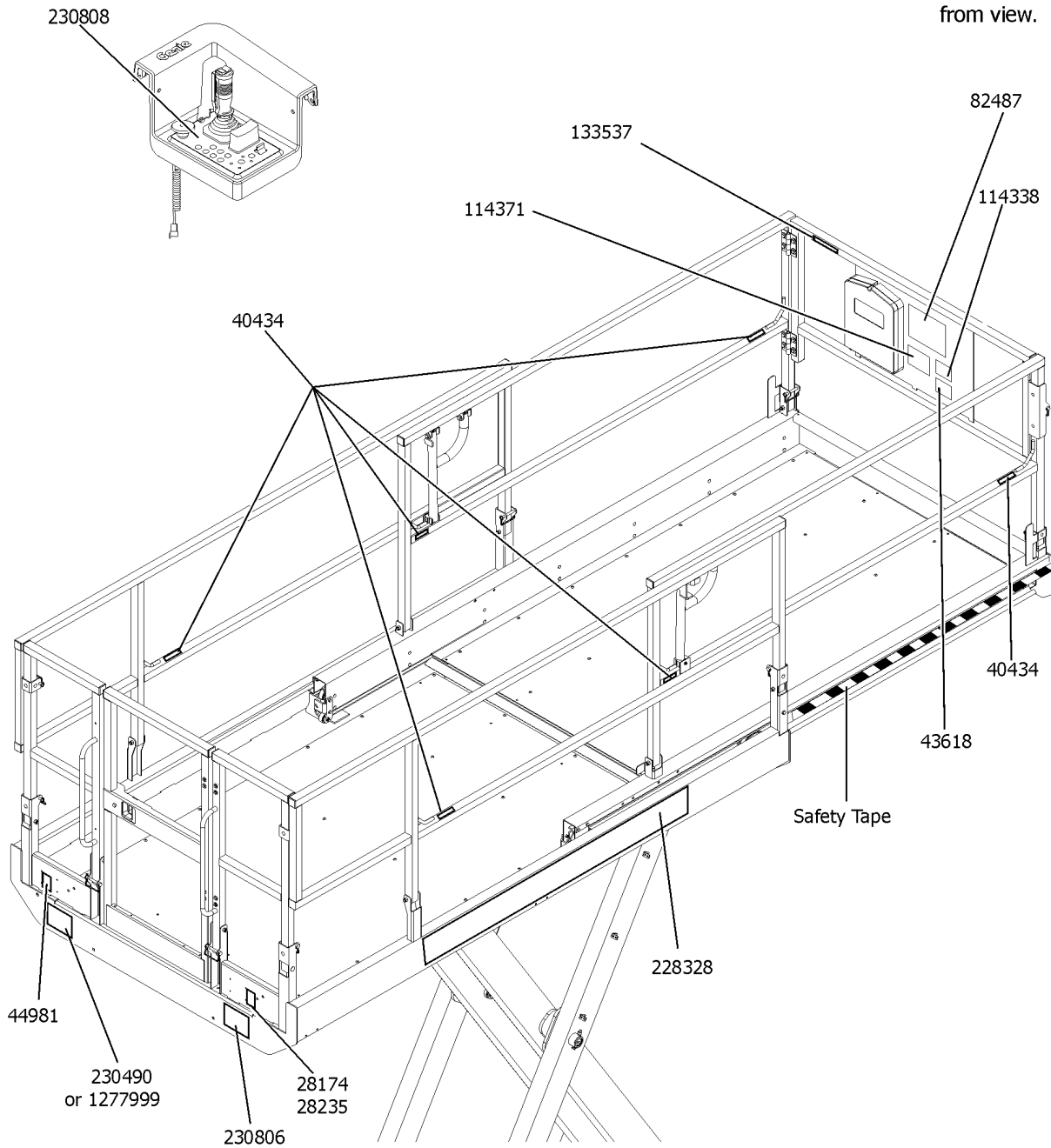
## 115.1 Decals with Symbols, GS-3369 Platform, Asia &amp; South America

| Item | Part No. | Description  | Qty. |
|------|----------|--|------|
| --   |          | Ref. Symbol Decal Kits<br>(refer to 113.1)                           |      |
| 1    | 28174GT  | DECAL, POWER TO PLATFORM<br>230V**.....                              | 1    |
| 2    | 28235GT  | DECAL,POWER TO PLATFORM 115V...1                                     | 1    |
| 3    | 40434GT  | DECAL,LANYARD ANCHORAGE<br>POINT.....                                | 6    |
| 4    | 43618GT  | DECAL, LABEL - DIRECTION<br>ARROWS.....                              | 1    |
| 5    | 44981GT  | DECAL,LABEL, AIR LINE 110 PSI.....                                   | 1    |
| 6    | 82487GT  | DECAL, SYMBOL - READ THE<br>MANUAL.....                              | 1    |
| 7    | 114338GT | DECAL,SYM-TIP-OVER,TILT ALARM.....                                   | 1    |
| 8    | 114371GT | DECAL,SYM-TIP-OVER,OUTRGR.....                                       | 1    |
| 9    | 133537GT | DECAL,CRUSH HAZ RAILS SYMB.....                                      | 1    |
| 10   | 228328GT | DECAL,COSMETIC,GENIE<br>GS-3369RT.....                               | 2    |
| 11   | 230493GT | DECAL,DANGER,SIDE FRC,GS3369.....<br>(Asia & S. America models only) | 2    |
| 12   | 230808GT | DECAL,PLAT CONTROL PANEL<br>GS69.....                                | 1    |
| 13   | 230810GT | DECAL,NOTICE,MAX CAP GS3369.....<br>(Asia & S. America models only)  | 1    |

116.1 Decals with Symbols, GS-3369 Platform, CE

# Platform, CE models

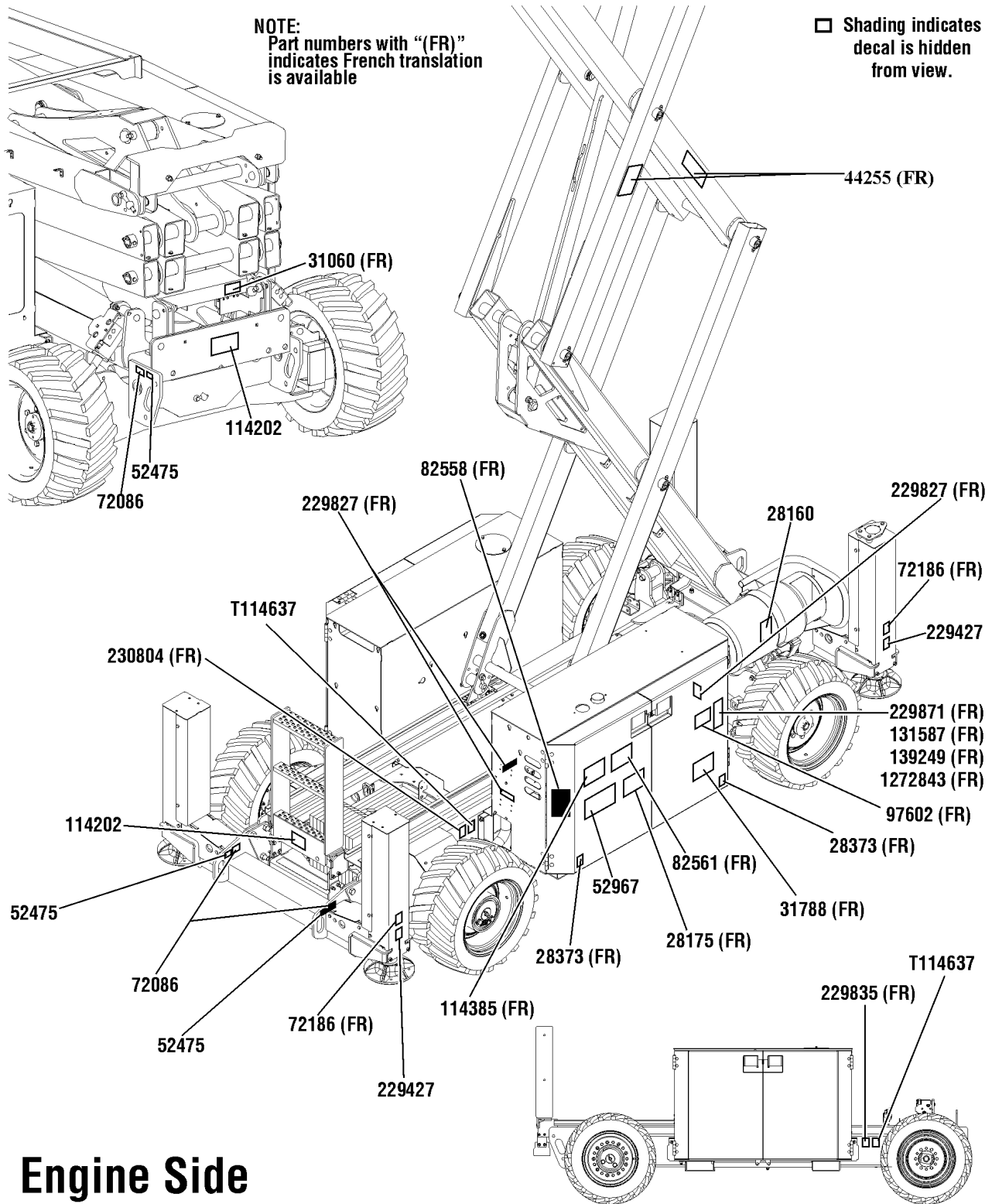
☐ Shading indicates decal is hidden from view.



## 116.1 Decals with Symbols, GS-3369 Platform, CE

| Item | Part No. | Description   | Qty. |
|------|----------|---|------|
| --   |          | Ref. Symbol Decal Kits<br>(refer to 113.1)            |      |
| 1    | 28174GT  | DECAL, POWER TO PLATFORM<br>230V**.....1              | 1    |
| 2    | 28235GT  | DECAL,POWER TO PLATFORM 115V...1                      | 1    |
| 3    | 40434GT  | DECAL,LANYARD ANCHORAGE<br>POINT.....6                | 6    |
| 4    | 43618GT  | DECAL, LABEL - DIRECTION<br>ARROWS.....1              | 1    |
| 5    | 44981GT  | DECAL,LABEL, AIR LINE 110 PSI.....1                   | 1    |
| 6    | 82487GT  | DECAL, SYMBOL - READ THE<br>MANUAL.....1              | 1    |
| 7    | 114338GT | DECAL,SYM-TIP-OVER,TILT ALARM.....1                   | 1    |
| 8    | 114371GT | DECAL,SYM-TIP-OVER,OUTRGR.....1                       | 1    |
| 9    | 133537GT | DECAL,CRUSH HAZ RAILS SYMB.....1                      | 1    |
| 10   | 228328GT | DECAL,COSMETIC,GENIE<br>GS-3369RT.....2               | 2    |
| 11   | 230490GT | DECAL,NOTICE,MAX CAP GS3369.....1<br>(CE models only) | 1    |
| 12   | 230808GT | DECAL,PLAT CONTROL PANEL<br>GS69.....1                | 1    |
| 13   | 230806GT | DECAL,DANGER,MAN FRC, GS3369....1<br>(CE models only) | 1    |

117.1 Decals with Words, GS-4069, Engine Side



## 117.1 Decals with Words, GS-4069, Engine Side

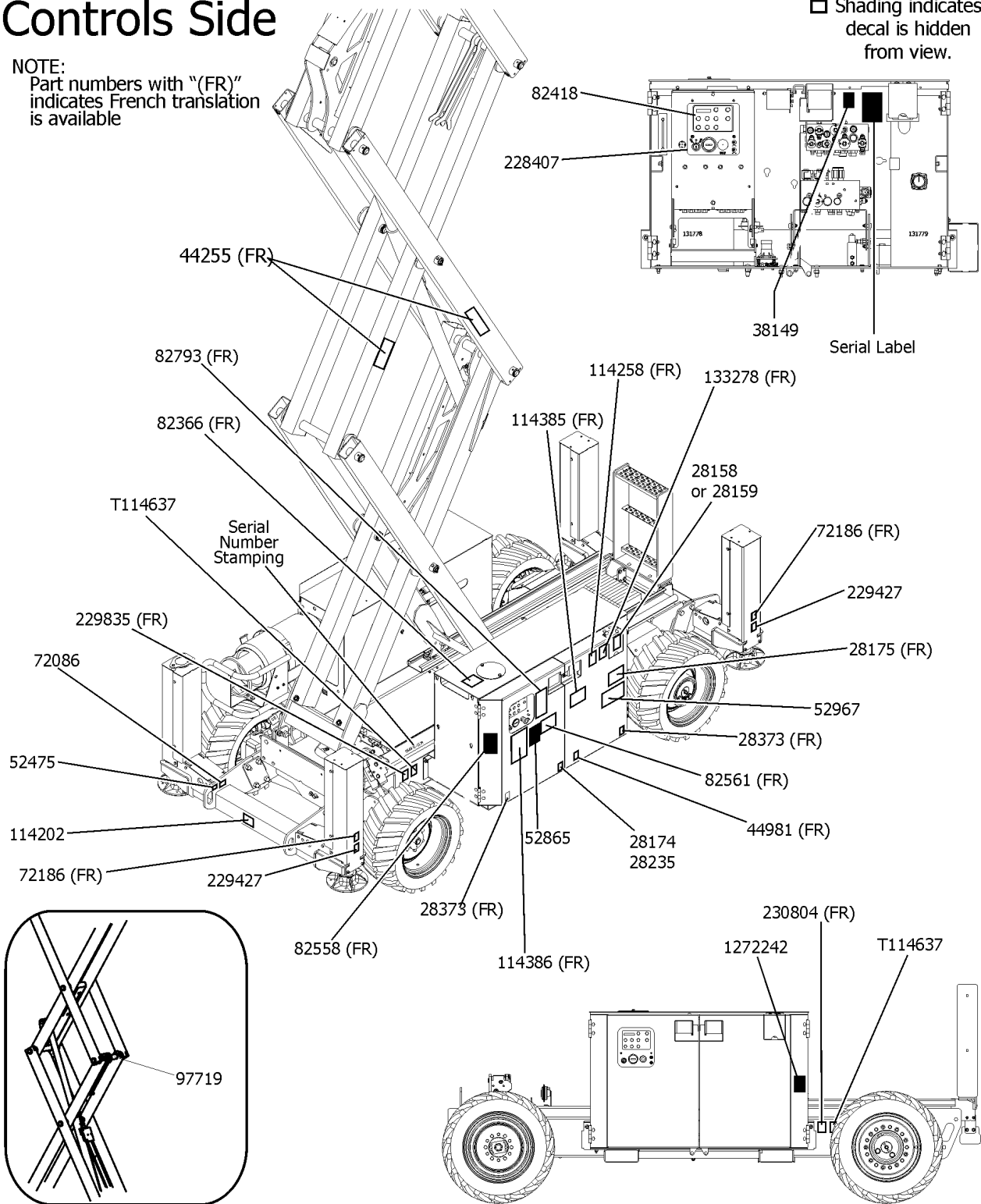
| Item | Part No.  | Description   | Qty. |
|------|-----------|---|------|
| --   | 233043GT  | DECAL KIT, 4069 COMP,WRD,ANSI<br>(Decal kit, complete for ANSI models only) |      |
| --   | 233046GT  | DECAL KIT, 4069 COMP,WRD,AUS<br>(Decal kit, complete for AUS models only)   |      |
| --   | 233799GT  | DECAL KIT, 4069 PLAT,WRD,ANSI<br>(Decal kit, platform for ANSI models only) |      |
| --   | 233802GT  | DECAL KIT, 4069 PLAT,WRD,AUS<br>(Decal kit, platform for AUS models only)   |      |
| 1    | 28160GT   | DECAL,LABEL,LIQUID PROPANE.....1  |      |
| 2    | 28175GT   | DECAL,WARNING-COMPART<br>ACCESS.....1                                       |      |
| 3    | 28373GT   | DECAL,FORK LIFT POCKET.....2  |      |
| 4    | 31060GT   | DECAL,DANGER DO NOT ALTER<br>SWTC.....1                                     |      |
| 5    | 31788GT   | DECAL,DANGER,BATTERY<br>SAFETY***.....1                                     |      |
| 6    | 44255GT   | DECAL,DANGER,CRUSHING<br>HAZARD.....2                                       |      |
| 7    | 52475GT   | DECAL,LABEL,TRANSPORT<br>TIEDOWN*.....2                                     |      |
| 8    | 52967GT   | DECAL,COSMETIC,4 X 4.....1  |      |
| 9    | 72086GT   | DECAL,LABEL,LIFTING EYE.....2   |      |
| 10   | 72186GT   | DECAL,WARNING,CRUSHING<br>HAZARD.....2                                      |      |
| 11   | 82558GT   | DECAL,WARN,SKIN INJECTION<br>HAZ*.....1                                     |      |
| 12   | 82561GT   | DECAL,DANGER-USE SAFETY ARM....1  |      |
| 13   | 97602GT   | DECAL,EXPLOSION HAZARD.....1  |      |
| 14   | 114202GT  | DECAL,LABEL,TRANSPORT TIE 68....1   |      |
| 15   | 114385GT  | DECAL,DANGER,ELEC HAZARD,GS....1  |      |
| 16   | 131587GT  | DECAL,NOTICE,KUB,D1105,T4.....1<br>(option)                                 |      |
| 17   | 139249GT  | DECAL,NOTICE,PERKINS 403D<br>SPEC.....1<br>(option)                         |      |
| 18   | 229427GT  | DECAL,LABEL,OUTRIGGER LD.....2  |      |
| 19   | 229827GT  | DECAL,WARNING,HOT SURFACE.....3   |      |
| 20   | 229835GT  | DECAL,NOTICE,TIRE SPECS.....1<br>(steer end)                                |      |
| 21   | 229871GT  | DECAL,NOTICE,KUBOTA GAS<br>SPECS.....1<br>(option)                          |      |
| 22   | 230804GT  | DECAL,NOTICE,TIRE SPECS, REAR....1<br>(non-steer end)                       |      |
| 23   | 1272843GT | DECAL,NOTICE,GM .998L SPEC.....1<br>(option)                                |      |
| 24   | T114637GT | DECAL,LABEL,WHEEL LD,GS4069RT...2   |      |

118.1 Decals with Words, GS-4069, Controls Side

# Controls Side

NOTE:  
Part numbers with "(FR)" indicates French translation is available

☐ Shading indicates decal is hidden from view.



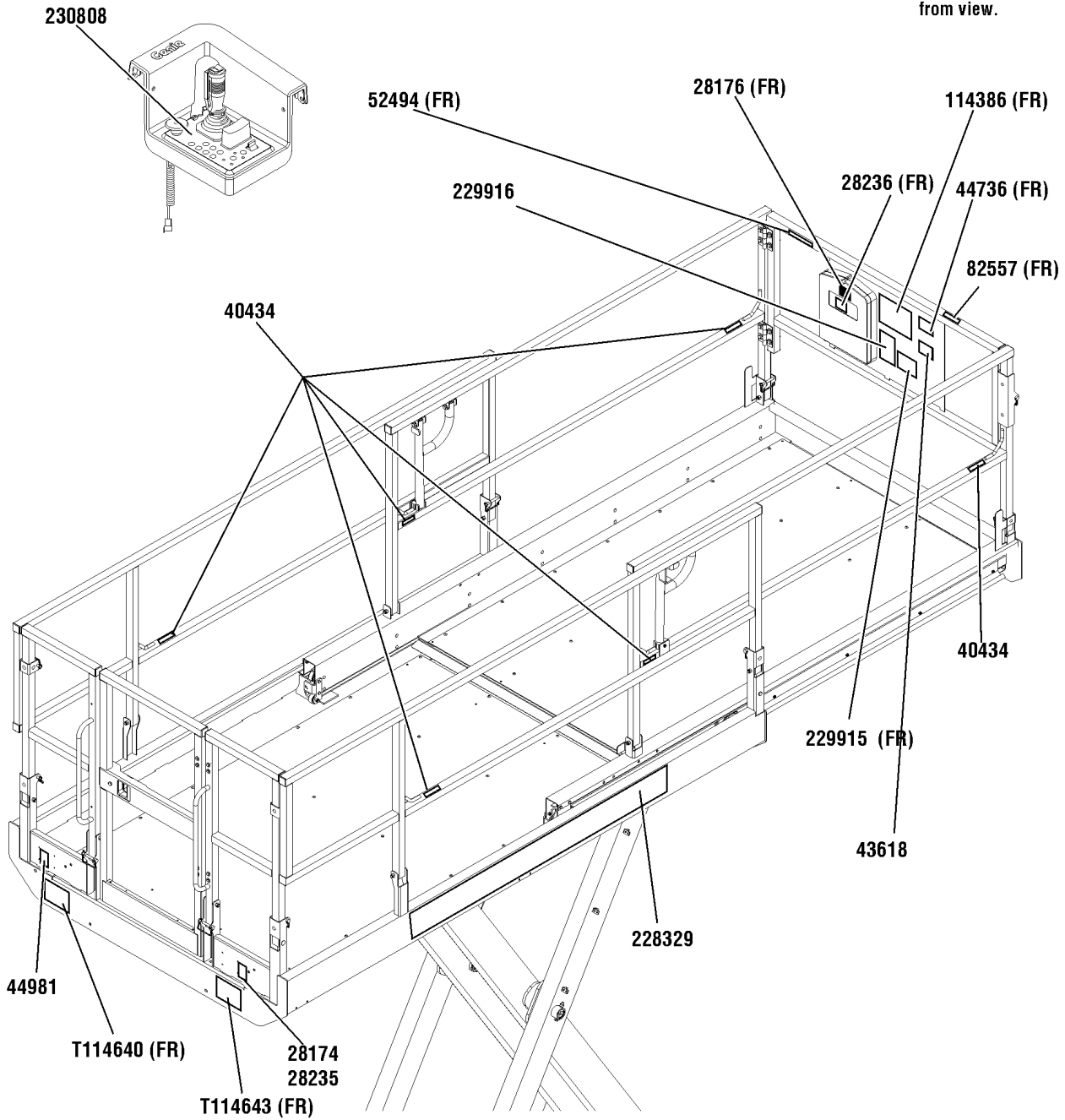
## 118.1 Decals with Words, GS-4069, Controls Side

| Item | Part No.  | Description  | Qty. |
|------|-----------|--|------|
| --   |           | Ref. Word Decal Kits<br>(refer to 117.1)                       |      |
| 1    | 28158GT   | DECAL,LABEL,UNLEADED GAS<br>ONLY.....                          | 1    |
| 2    | 28159GT   | DECAL,DIESEL.....  | 1    |
| 3    | 28174GT   | DECAL, POWER TO PLATFORM<br>230V**.....                        | 1    |
| 4    | 28175GT   | DECAL,WARNING-COMPART<br>ACCESS.....                           | 1    |
| 5    | 28235GT   | DECAL,POWER TO PLATFORM 115V...1                               |      |
| 6    | 28373GT   | DECAL,FORK LIFT POCKET.....                                    | 2    |
| 7    | 38149GT   | DECAL,LABEL,PATENTS.....<br>(US models only)                   | 1    |
| 8    | 44255GT   | DECAL,DANGER,CRUSHING<br>HAZARD.....                           | 2    |
| 9    | 44981GT   | DECAL,LABEL, AIR LINE 110 PSI.....                             | 1    |
| 10   | 52475GT   | DECAL,LABEL,TRANSPORT<br>TIEDOWN*.....                         | 2    |
| 11   | 52865GT   | DECAL,ANNUAL INSP***.....                                      | 1    |
| 12   | 52967GT   | DECAL,COSMETIC,4 X 4.....                                      | 1    |
| 13   | 72086GT   | DECAL,LABEL,LIFTING EYE.....                                   | 2    |
| 14   | 72186GT   | DECAL,WARNING,CRUSHING<br>HAZARD.....                          | 2    |
| 15   | 82366GT   | DECAL,CHEVRON RANDO HD.....                                    | 1    |
| 16   | 82418GT   | DECAL,GROUND CONTROL PANEL....                                 | 1    |
| 17   | 82558GT   | DECAL,WARN,SKIN INJECTION<br>HAZ*.....                         | 1    |
| 18   | 82561GT   | DECAL,DANGER-USE SAFETY ARM....                                | 1    |
| 19   | 82793GT   | DECAL,NOTICE,OP INST,GROUND....                                | 1    |
| 20   | 97719GT   | DECAL, LABEL, SAFETY ARM SYMB....                              | 1    |
| 21   | 114202GT  | DECAL,LABEL,TRANSPORT TIE 68....                               | 1    |
| 22   | 114258GT  | DECAL,DANGER,NO SMOKING.....                                   | 1    |
| 23   | 114385GT  | DECAL,DANGER,ELEC HAZARD,GS....                                | 1    |
| 24   | 114386GT  | DECAL,DANGER-GEN SAFETY.....                                   | 1    |
| 25   | 133278GT  | DECAL,LOW/ULTRA LOW SULFR<br>FUEL.....<br>(diesel models only) | 1    |
| 26   | 228407GT  | DECAL,GROUND CONTROL PANEL....                                 | 1    |
| 27   | 229427GT  | DECAL,LABEL,OUTRIGGER LD.....                                  | 2    |
| 28   | 229835GT  | DECAL,NOTICE,TIRE SPECS.....<br>(steer end)                    | 1    |
| 29   | 230804GT  | DECAL,NOTICE,TIRE SPECS, REAR....<br>(non-steer end)           | 1    |
| 30   | T114637GT | DECAL,LABEL,WHEEL LD,GS4069RT...2                              |      |
| 31   | 1272242GT | DECAL,MACHINE<br>REGISTRATION/OWNER TRANSFER....               | 1    |

119.1 Decals with Words, GS-4069 Platform, ANSI & CSA

# Platform, ANSI/CSA models

☐ Shading indicates decal is hidden from view.



**NOTE:**  
Part numbers with "(FR)" indicates French translation is available



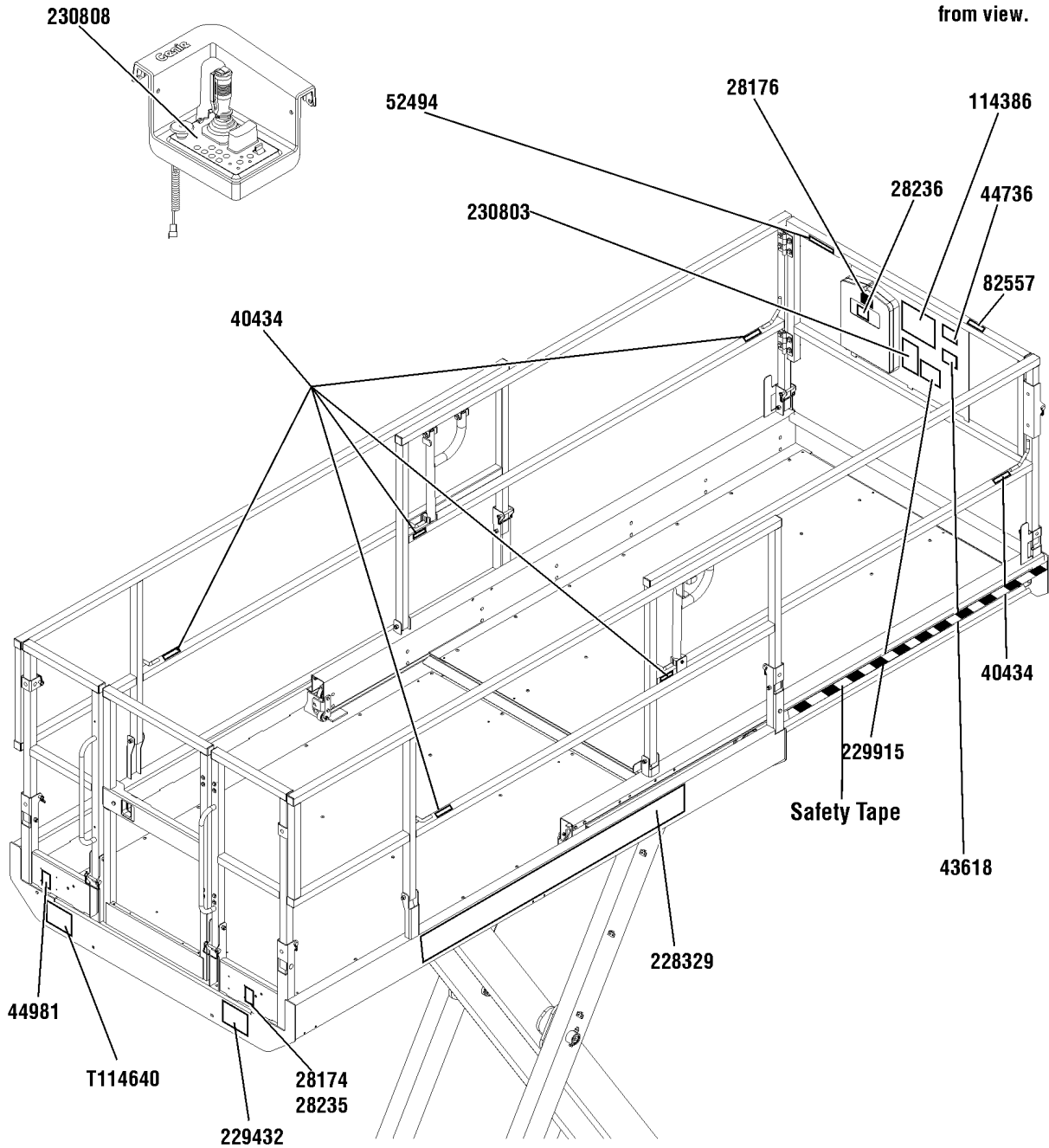
## 119.1 Decals with Words, GS-4069 Platform, ANSI &amp; CSA

| Item | Part No.  | Description  | Qty. |
|------|-----------|--|------|
| --   |           | Ref. Word Decal Kits<br>(refer to 117.1)                       |      |
| 1    | 28174GT   | DECAL, POWER TO PLATFORM<br>230V**.....1                       | 1    |
| 2    | 28176GT   | DECAL,LABEL,MANUAL NOT HERE.....1                              | 1    |
| 3    | 28235GT   | DECAL,POWER TO PLATFORM 115V...1                               | 1    |
| 4    | 28236GT   | DECAL,WARN,IMPROPER<br>OPERATION.....1                         | 1    |
| 5    | 40434GT   | DECAL,LANYARD ANCHORAGE<br>POINT.....6                         | 6    |
| 6    | 43618GT   | DECAL, LABEL - DIRECTION<br>ARROWS.....1                       | 1    |
| 7    | 44736GT   | DECAL,DANGER,TIP-OVER,TILT.....1                               | 1    |
| 8    | 44981GT   | DECAL,LABEL, AIR LINE 110 PSI.....1                            | 1    |
| 9    | 52494GT   | DECAL,CAUTION,CRUSH HAZ,<br>RAILS.....1                        | 1    |
| 10   | 82557GT   | DECAL,LABEL,PLAT CONT<br>LOCATION.....1                        | 1    |
| 11   | 114386GT  | DECAL,DANGER-GEN SAFETY.....1                                  | 1    |
| 12   | 228329GT  | DECAL,COSMETIC,GENIE<br>GS-4069RT.....2                        | 2    |
| 13   | 229915GT  | DECAL,DANGER,OUTRIGGER<br>SAFETY.....1                         | 1    |
| 14   | 229916GT  | DECAL,NOTICE,INST,PLAT-GS69RT.....1                            | 1    |
| 15   | 230808GT  | DECAL,PLAT CONTROL PANEL<br>GS69.....1                         | 1    |
| 16   | T114640GT | DECAL,NOTICE,MAX CAP GS4069.....1<br>(ANSI & CSA models only)  | 1    |
| 17   | T114643GT | DECAL,NOTICE,SIDE FRC,4069 ANS...1<br>(ANSI & CSA models only) | 1    |

120.1 Decals with Words, GS-4069 Platform, Australia

# Platform, Australia models

☐ Shading indicates decal is hidden from view.

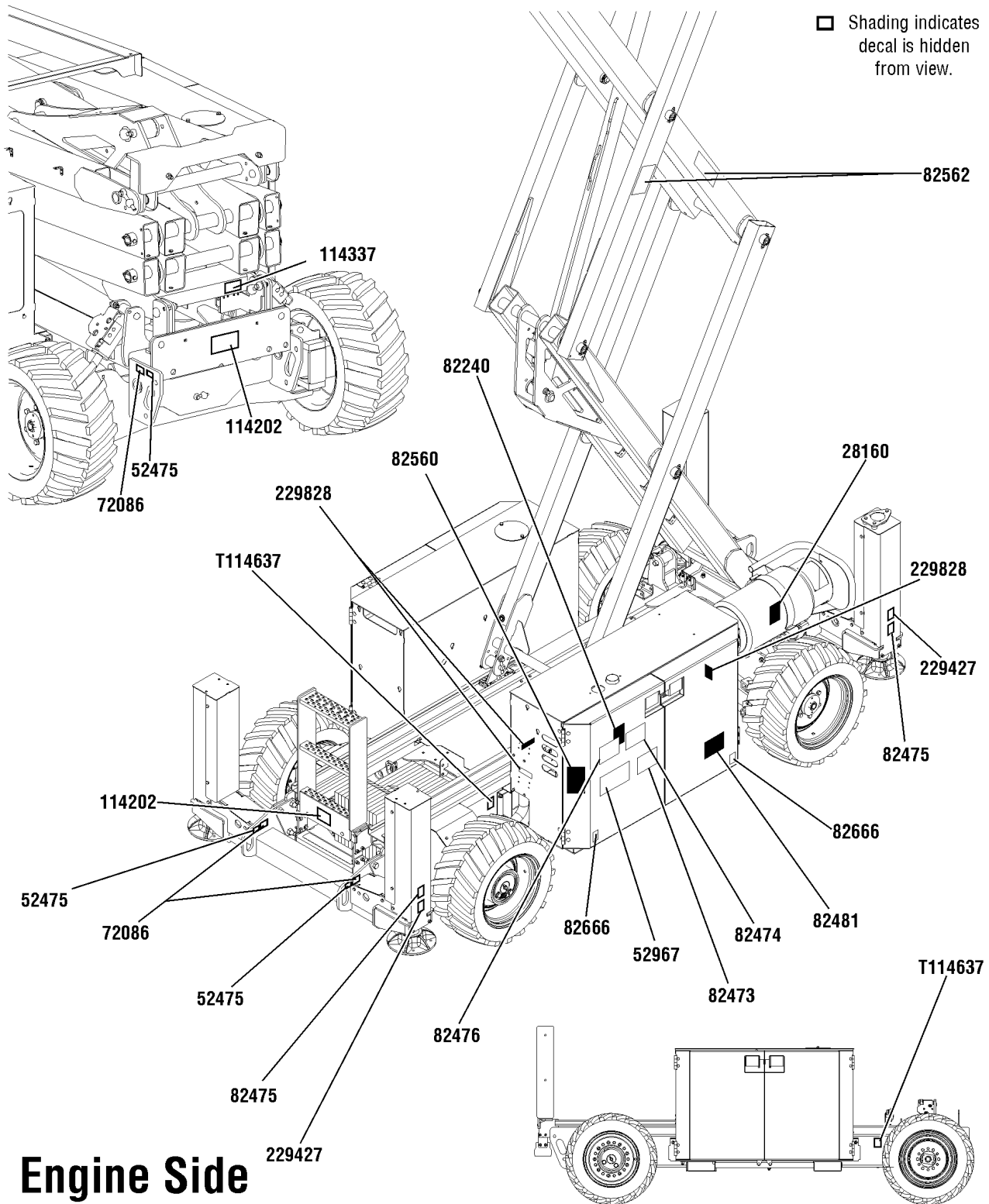


## 120.1 Decals with Words, GS-4069 Platform, Australia

| Item | Part No.  | Description  | Qty. |
|------|-----------|--|------|
| --   |           | Ref. Word Decal Kits<br>(refer to 117.1)                     |      |
| 1    | 28174GT   | DECAL, POWER TO PLATFORM<br>230V**.....1                     | 1    |
| 2    | 28176GT   | DECAL,LABEL,MANUAL NOT HERE.....1                            | 1    |
| 3    | 28235GT   | DECAL,POWER TO PLATFORM 115V...1                             | 1    |
| 4    | 28236GT   | DECAL,WARN,IMPROPER<br>OPERATION.....1                       | 1    |
| 5    | 40434GT   | DECAL,LANYARD ANCHORAGE<br>POINT.....6                       | 6    |
| 6    | 43618GT   | DECAL, LABEL - DIRECTION<br>ARROWS.....1                     | 1    |
| 7    | 44736GT   | DECAL,DANGER,TIP-OVER,TILT.....1                             | 1    |
| 8    | 44981GT   | DECAL,LABEL, AIR LINE 110 PSI.....1                          | 1    |
| 9    | 52494GT   | DECAL,CAUTION,CRUSH HAZ,<br>RAILS.....1                      | 1    |
| 10   | 82557GT   | DECAL,LABEL,PLAT CONT<br>LOCATION.....1                      | 1    |
| 11   | 114386GT  | DECAL,DANGER-GEN SAFETY.....1                                | 1    |
| 12   | 228329GT  | DECAL,COSMETIC,GENIE<br>GS-4069RT.....2                      | 2    |
| 13   | 229915GT  | DECAL,DANGER,OUTRIGGER<br>SAFETY.....1                       | 1    |
| 14   | 230803GT  | DECAL,NOTICE,INST,PLAT-GS69RT.....1                          | 1    |
| 15   | 230808GT  | DECAL,PLAT CONTROL PANEL<br>GS69.....1                       | 1    |
| 16   | T114640GT | DECAL,NOTICE,MAX CAP GS4069.....1<br>(Australia models only) | 1    |
| 17   | 229432GT  | DECAL,NOTICE,MAN FRC,4069.....1<br>(Australia models only)   | 1    |

121.1 Decals with Symbols, GS-4069, Engine Side

☐ Shading indicates decal is hidden from view.



**Engine Side**

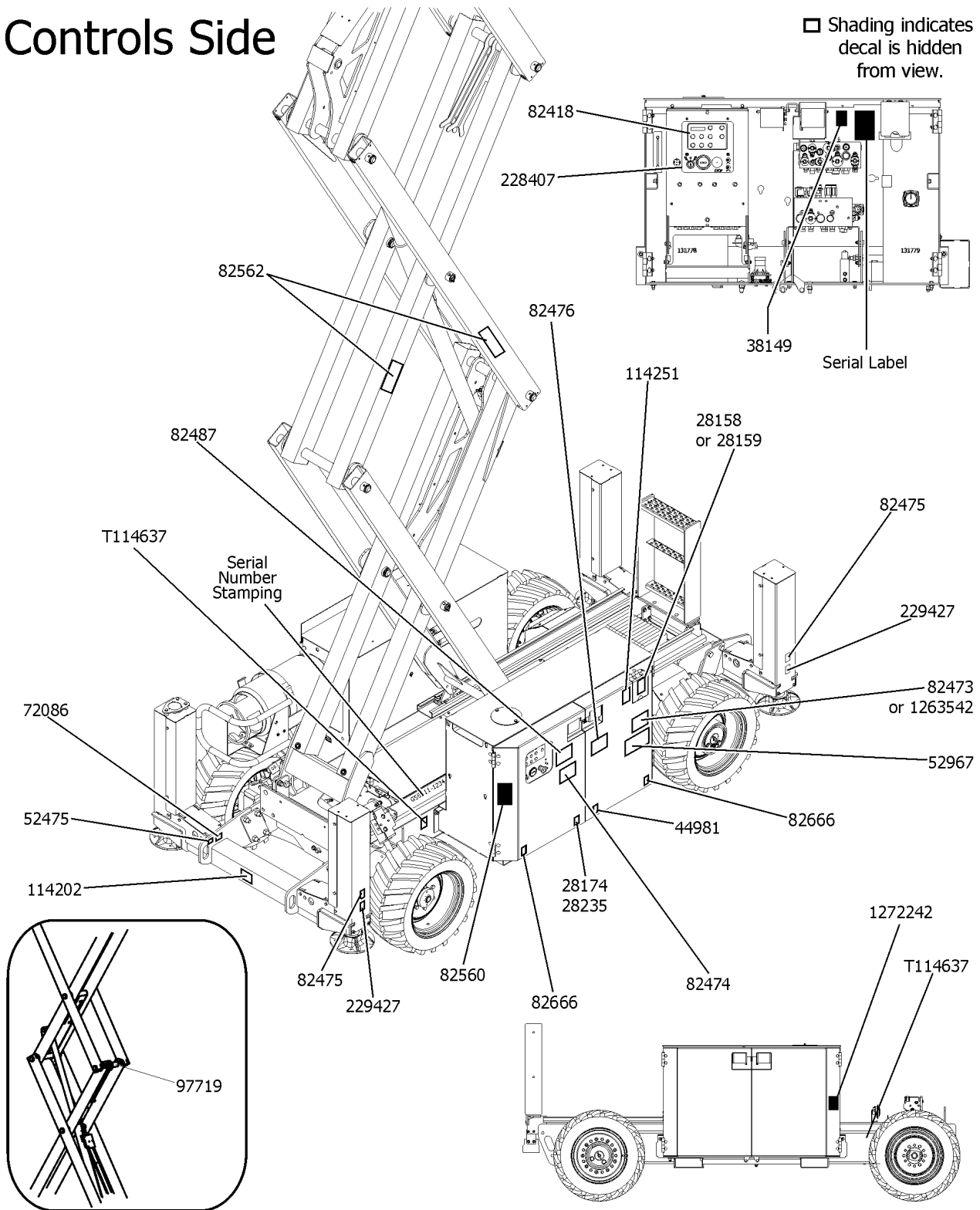
## 121.1 Decals with Symbols, GS-4069, Engine Side

| Item | Part No.  | Description   | Qty. |
|------|-----------|---|------|
| --   | 233955GT  | DECAL KIT,4069 COMP,SYM,ANSI<br><i>(Decal kit, complete for ANSI models only)</i>                     |      |
| --   | 233958GT  | DECAL KIT,4069 COMP,SYM,CE<br><i>(Decal kit, complete for CE models only)</i>                         |      |
| --   | 233961GT  | DECAL KIT,4069 PLAT,SYM,ANSI<br><i>(Decal kit, platform for Asia &amp; South America models only)</i> |      |
| --   | 233964GT  | DECAL KIT,4069 PLAT,SYM,CE<br><i>(Decal kit, platform for CE models only)</i>                         |      |
| 1    | 28160GT   | DECAL,LABEL,LIQUID PROPANE.....   | 1    |
| 2    | 52475GT   | DECAL,LABEL,TRANSPORT<br>TIEDOWN*.....  | 2    |
| 3    | 52967GT   | DECAL,COSMETIC,4 X 4.....   | 1    |
| 4    | 72086GT   | DECAL,LABEL,LIFTING EYE.....  | 2    |
| 5    | 82240GT   | DECAL,LABEL,105 DB.....<br><i>(CE models only)</i>  | 1    |
| 6    | 82473GT   | DECAL,SYMBOL-COMP ACCESS.....   | 1    |
| 7    | 82474GT   | DECAL,SYMBOL-USE SAFETY ARM....   | 1    |
| 8    | 82475GT   | DECAL,SYMBOL-FOOT CRUSHING....  | 2    |
| 9    | 82476GT   | DECAL,SYMBOL-ELEC HAZARD,GS....   | 1    |
| 10   | 82481GT   | DECAL,SYMBOL-BATTERY SAFETY.....  | 1    |
| 11   | 82560GT   | DECAL,SYMBOL-SKIN INJECT<br>HAZRD.....  | 1    |
| 12   | 82562GT   | DECAL,SYMBOL-CRUSHING<br>HAZARD.....  | 2    |
| 13   | 82666GT   | DECAL,LABEL,FORKLIFT POCKET.....  | 2    |
| 14   | 114202GT  | DECAL,LABEL,TRANSPORT TIE 68....  | 1    |
| 15   | 114337GT  | DECAL,SYM-TIP-OVER,LIM SWITCH....   | 1    |
| 16   | 229427GT  | DECAL,LABEL,OUTRIGGER LD.....   | 2    |
| 17   | 229828GT  | DECAL,LABEL,HOT,SYMBOL.....   | 3    |
| 18   | T114637GT | DECAL,LABEL,WHEEL LD,GS4069RT...2   |      |

122.1 Decals with Symbols, GS-4069, Controls Side

# Controls Side

☐ Shading indicates decal is hidden from view.

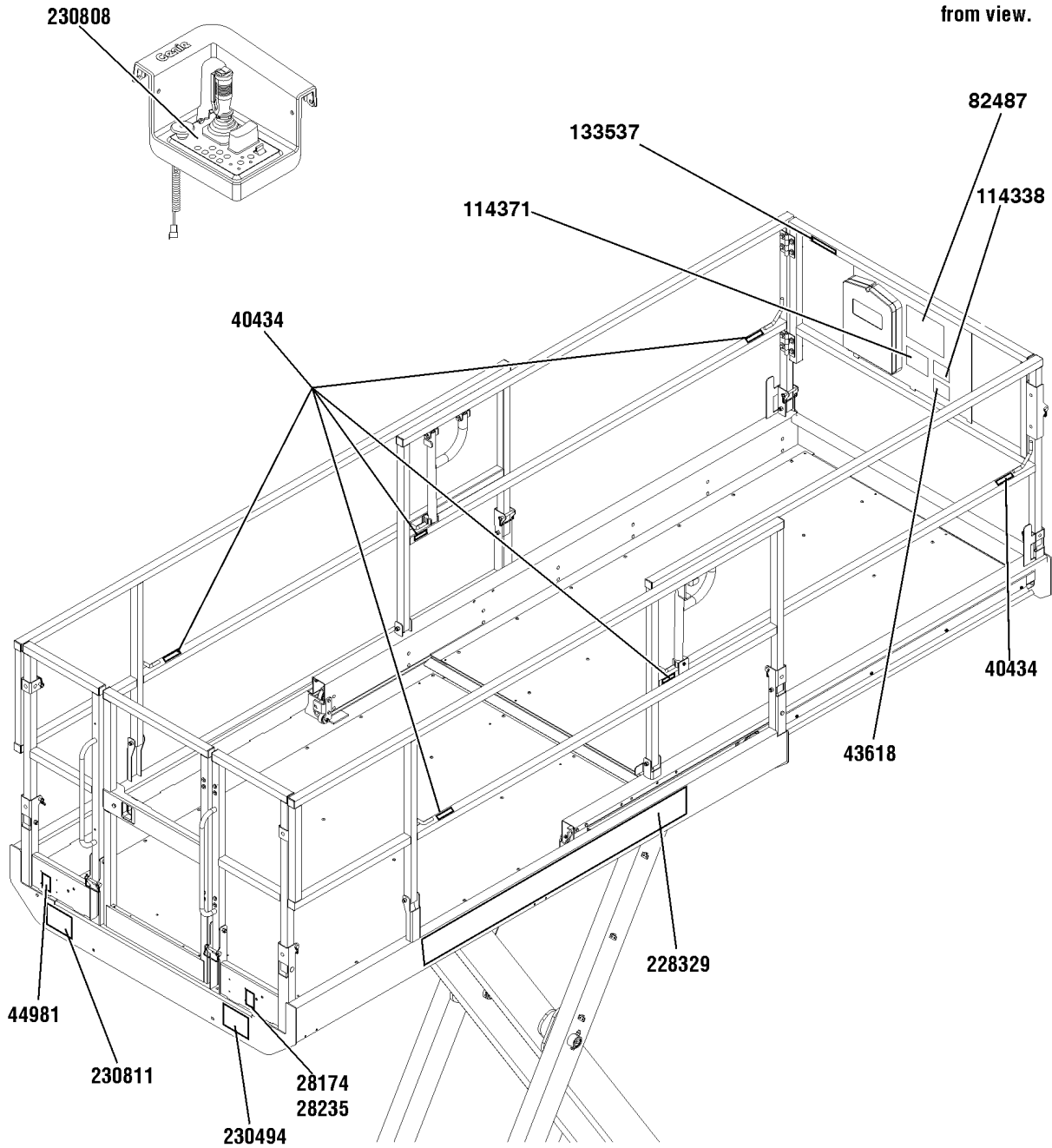


## 122.1 Decals with Symbols, GS-4069, Controls Side

| Item | Part No.  | Description                                      | Qty. |
|------|-----------|--|------|
| --   |           | Ref. Symbol Decal Kits<br>(refer to 121.1)       |      |
| 1    | 28158GT   | DECAL,LABEL,UNLEADED GAS<br>ONLY.....            | 1    |
| 2    | 28159GT   | DECAL,DIESEL.....                                | 1    |
| 3    | 28174GT   | DECAL, POWER TO PLATFORM<br>230V**.....          | 1    |
| 4    | 28235GT   | DECAL,POWER TO PLATFORM 115V.....                | 1    |
| 5    | 38149GT   | DECAL,LABEL,PATENTS.....<br>(US models only)     | 1    |
| 6    | 44981GT   | DECAL,LABEL, AIR LINE 110 PSI.....               | 1    |
| 7    | 52475GT   | DECAL,LABEL,TRANSPORT<br>TIEDOWN*.....           | 2    |
| 8    | 52967GT   | DECAL,COSMETIC,4 X 4.....                        | 1    |
| 9    | 72086GT   | DECAL,LABEL,LIFTING EYE.....                     | 2    |
| 10   | 82418GT   | DECAL,GROUND CONTROL PANEL.....                  | 1    |
| 11   | 82473GT   | DECAL,SYMBOL-COMP ACCESS.....                    | 1    |
| 12   | 82474GT   | DECAL,SYMBOL-USE SAFETY ARM.....                 | 1    |
| 13   | 82475GT   | DECAL,SYMBOL-FOOT CRUSHING.....                  | 2    |
| 14   | 82476GT   | DECAL,SYMBOL-ELEC HAZARD,GS.....                 | 1    |
| 15   | 82487GT   | DECAL, SYMBOL - READ THE<br>MANUAL.....          | 1    |
| 16   | 82560GT   | DECAL,SYMBOL-SKIN INJECT<br>HAZRD.....           | 1    |
| 17   | 82562GT   | DECAL,SYMBOL-CRUSHING<br>HAZARD.....             | 2    |
| 18   | 82666GT   | DECAL,LABEL,FORKLIFT POCKET.....                 | 2    |
| 19   | 97719GT   | DECAL, LABEL, SAFETY ARM SYMB.....               | 1    |
| 20   | 114202GT  | DECAL,LABEL,TRANSPORT TIE 68.....                | 1    |
| 21   | 114251GT  | DECAL,LABEL,NO SMOKING,SYMB.....                 | 1    |
| 22   | 228407GT  | DECAL,GROUND CONTROL PANEL.....                  | 1    |
| 23   | 229427GT  | DECAL,LABEL,OUTRIGGER LD.....                    | 2    |
| 24   | T114637GT | DECAL,LABEL,WHEEL LD,GS4069RT...2                |      |
| 25   | 1272242GT | DECAL,MACHINE<br>REGISTRATION/OWNER TRANSFER.... | 1    |

# Platform, ANSI models

☐ Shading indicates decal is hidden from view.





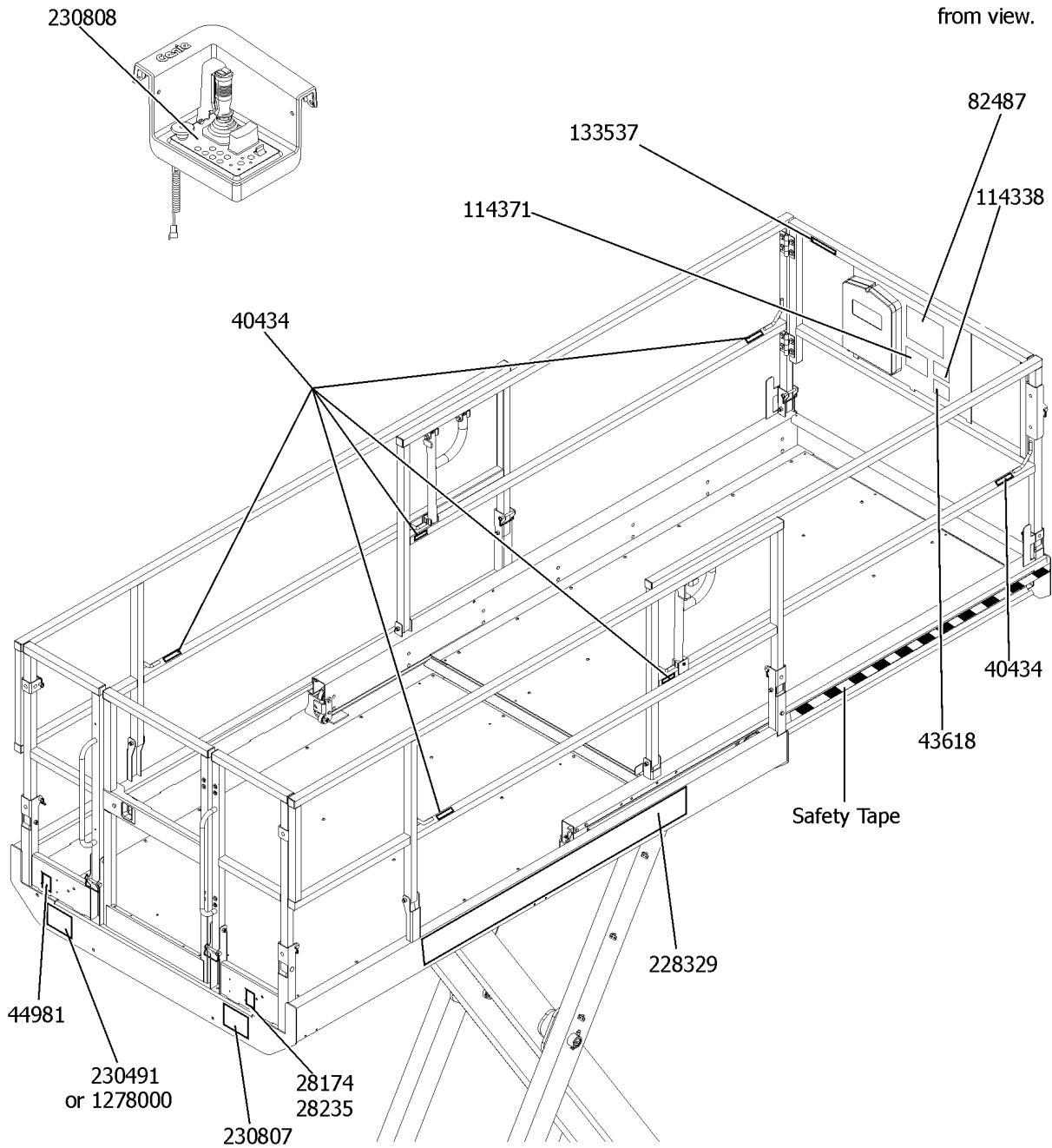
## 123.1 Decals with Symbols, GS-4069 Platform, Asia &amp; South America

| Item | Part No. | Description   | Qty. |
|------|----------|---|------|
| --   |          | Ref. Symbol Decal Kits<br>(refer to 121.1)                            |      |
| 1    | 28174GT  | DECAL, POWER TO PLATFORM<br>230V**.....1                              | 1    |
| 2    | 28235GT  | DECAL,POWER TO PLATFORM 115V...1                                      | 1    |
| 3    | 40434GT  | DECAL,LANYARD ANCHORAGE<br>POINT.....6                                | 6    |
| 4    | 43618GT  | DECAL, LABEL - DIRECTION<br>ARROWS.....1                              | 1    |
| 5    | 44981GT  | DECAL,LABEL, AIR LINE 110 PSI.....1                                   | 1    |
| 6    | 82487GT  | DECAL, SYMBOL - READ THE<br>MANUAL.....1                              | 1    |
| 7    | 114338GT | DECAL,SYM-TIP-OVER,TILT ALARM.....1                                   | 1    |
| 8    | 114371GT | DECAL,SYM-TIP-OVER,OUTRGR.....1                                       | 1    |
| 9    | 133537GT | DECAL,CRUSH HAZ RAILS SYMB.....1                                      | 1    |
| 10   | 228329GT | DECAL,COSMETIC,GENIE<br>GS-4069RT.....3                               | 3    |
| 11   | 230494GT | DECAL,DANGER,SIDE FRC,GS4069.....3<br>(Asia & S. America models only) | 3    |
| 12   | 230808GT | DECAL,PLAT CONTROL PANEL<br>GS69.....1                                | 1    |
| 13   | 230811GT | DECAL,NOTICE,MAX CAP GS4069.....1<br>(Asia & S. America models only)  | 1    |

124.1 Decals with Symbols, GS-4069 Platform, CE

# Platform, CE models

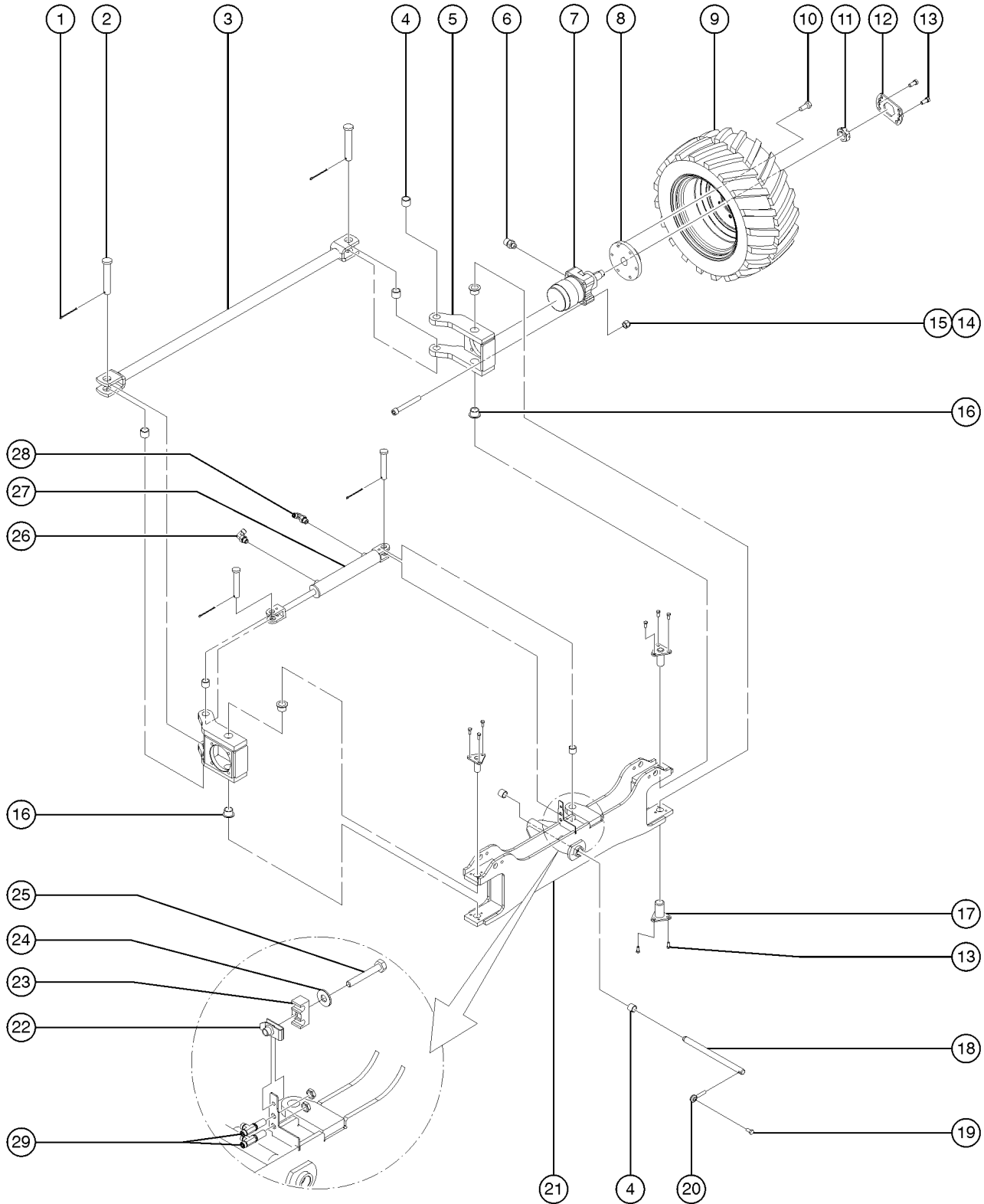
☐ Shading indicates decal is hidden from view.



## 124.1 Decals with Symbols, GS-4069 Platform, CE

| Item | Part No. | Description  | Qty. |
|------|----------|--|------|
| --   |          | Ref. Symbol Decal Kits<br>(refer to 121.1)           |      |
| 1    | 28174GT  | DECAL, POWER TO PLATFORM<br>230V**.....              | 1    |
| 2    | 28235GT  | DECAL,POWER TO PLATFORM 115V...1                     | 1    |
| 3    | 40434GT  | DECAL,LANYARD ANCHORAGE<br>POINT.....                | 6    |
| 4    | 43618GT  | DECAL, LABEL - DIRECTION<br>ARROWS.....              | 1    |
| 5    | 44981GT  | DECAL,LABEL, AIR LINE 110 PSI.....                   | 1    |
| 6    | 82487GT  | DECAL, SYMBOL - READ THE<br>MANUAL.....              | 1    |
| 7    | 114338GT | DECAL,SYM-TIP-OVER,TILT ALARM.....                   | 1    |
| 8    | 114371GT | DECAL,SYM-TIP-OVER,OUTRGR.....                       | 1    |
| 9    | 133537GT | DECAL,CRUSH HAZ RAILS SYMB.....                      | 1    |
| 10   | 228329GT | DECAL,COSMETIC,GENIE<br>GS-4069RT.....               | 2    |
| 11A  | 230491GT | DECAL,NOTICE,MAX CAP GS4069.....<br>(CE models only) | 1    |
| 12   | 230808GT | DECAL,PLAT CONTROL PANEL<br>GS69.....                | 1    |
| 13   | 230807GT | DECAL,DANGER,MAN FRC, GS4069....<br>(CE models only) | 1    |

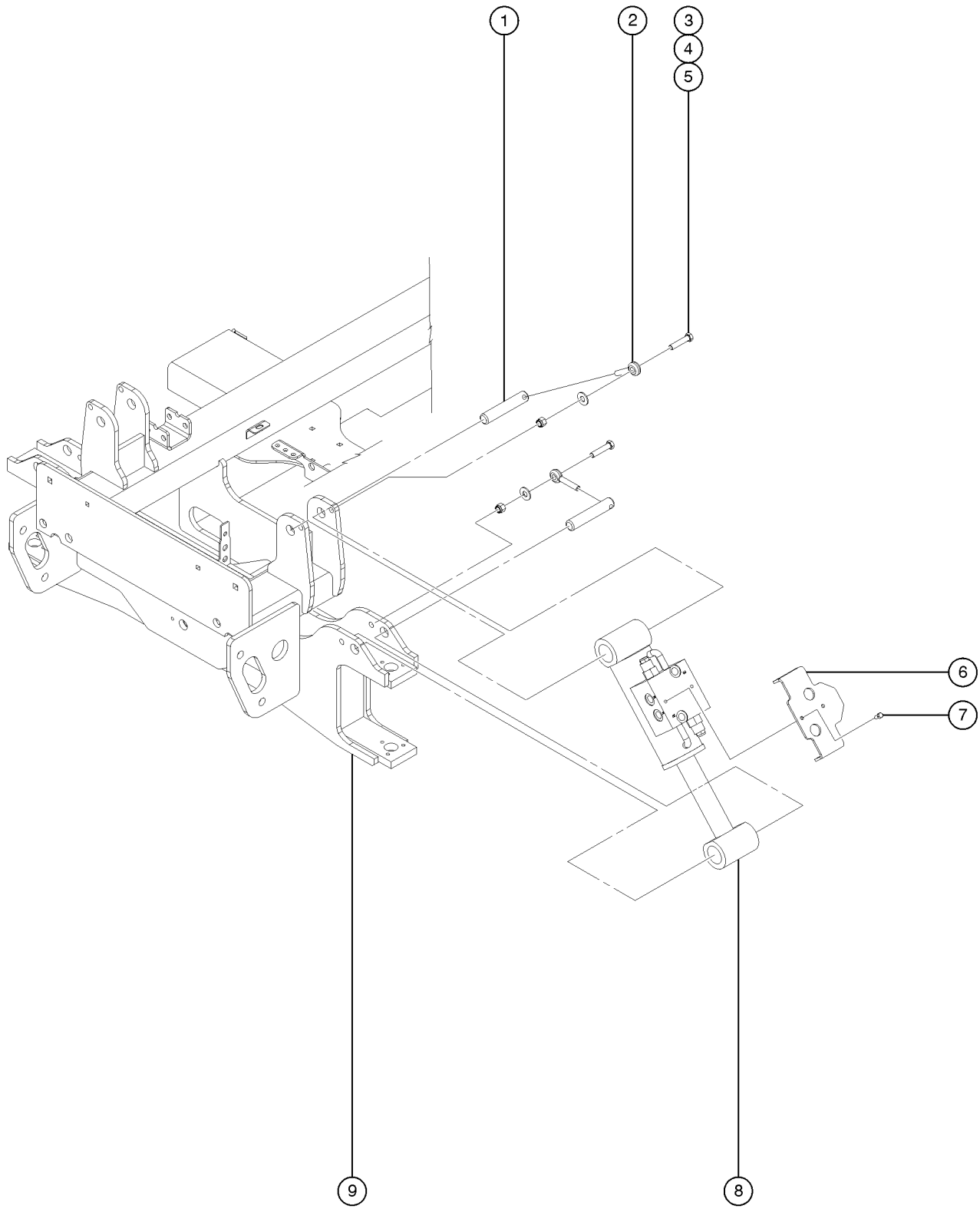
201.1 Steer Axle Linkage, Wheels and Drive Motors



## 201.1 Steer Axle Linkage, Wheels and Drive Motors

| Item | Part No.  | Description   | Qty. | Item | Part No.  | Description  | Qty. |
|------|-----------|---|------|------|-----------|--|------|
| 1    | 74389GT   | RUE RING,1.00.....  | 4    | 16   | 148353GT  | BEARING,BRZ,FL,1.25X1.50X1.1.....  | 4    |
| 2    | 19440GT   | PIN,CLEVIS,1 X 2.5 LG.....  | 4    | 17   | 131616GT  | WELDMENT,KING PIN.....   | 4    |
| 3A   | 131615GT  | WELDMENT,TIE ROD.....<br><i>(to SN 3661) (Genie blue)</i>   | 1    | 18   |           | Ref. PIN,OSC PIVOT.....<br><i>(for replacement, please call factory)</i> | 1    |
| 3B   | 1254181GT | WELDMENT,TIE ROD,GS69.....<br><i>(from SN 3662) (traffic black)</i>   | 1    | 19   | 8255GT    | SCREW,HHC,3/8-16 X .75.....  | 1    |
| 4    | 25817GT   | BEARING,1.00IDX1.25ODX1.00L.....  | 7    | 20   | 1255452GT | ROD END,.375 X 2.25,ZAG.....   | 1    |
| 5A   | 131610GT  | STEER YOKE ASSY.....<br><i>(to SN 3661) (Genie blue)</i>  | 2    | 21A  | 131602GT  | WELDMENT,OSC.AXLE.....<br><i>(to SN 3661) (Genie blue)</i>               | 1    |
| 5B   | 1254182GT | ASSY, PAINT,STEER YOKE, RT.....<br><i>(from SN 3662) (traffic black)</i>  | 2    | 21B  | 1254180GT | WELDMENT,OSC.AXLE.....<br><i>(from SN 3662) (traffic black)</i>          | 1    |
| 6    | 48943GT   | CONN, 520120-8-6.....   | 4    | 22   | 56912GT   | SPRING<br>CLIP,1/4-20,.025-.15X.54,ZAG.....                              | 1    |
| 7    | T109593GT | MOTOR,22.8 CI/REV,GEROTOR.....  | 2    | 23   | 148396GT  | CLAMP,HOSE,2X#4,GS69.....  | 1    |
| --   | 44782GT   | SEAL KIT,DR MTR.GS15/19,Z20***<br><i>for T109593</i>  |      | 24   | 6638GT    | WASHER,FLAT,USS,1/4"Y.....   | 1    |
| 8    | 47312GT   | ADAPTER,WHEEL,GS68/GS69.....  | 2    | 25   | 6637GT    | SCREW,HHC,1/4-20 X 1.75.....   | 1    |
| 9A   | 1258626GT | WHEEL ASSY,FOAM,12X26,BLK,LF.....<br><i>RT, Foam-filled, controls side (left front)<br/>(water-based foam)</i>            | 1    | 26   | 48911GT   | ELBOW,90D,520220-4-6***.....   | 2    |
| 9A   | 1258627GT | WHEEL ASSY,FOAM,12X26,BLK,RF.....<br><i>RT, Foam-filled, engine side (right front)<br/>(water-based foam)</i>             | 1    | 27   | 89065GT   | CYLINDER,STEER***.....   | 1    |
| 9B   | 1258751GT | WHEEL ASSY,FOAM,12X26,BLK,LF<br><i>RT, Foam-filled, controls side (left front)<br/>(petroleum-based foam)</i>             |      | --   | 89066GT   | SEAL KIT,STEER CYL (89065)   |      |
| 9B   | 1258752GT | WHEEL ASSY,FOAM,12X26,BLK,RF<br><i>RT, Foam-filled, engine side (right front)<br/>(petroleum-based foam)</i>              |      | 28   | 48912GT   | CONN,520120-4-6***.....  | 1    |
| 9C   | 1258630GT | WHEEL ASSY,FOAM,12X26,NM,LF<br><i>RT, Foam-filled, Non-marking, controls side<br/>(left front) (water-based foam)</i>     |      | 29   | 48909GT   | TEE,BULKHEAD,RUN,520958-4.....   | 2    |
| 9C   | 1258631GT | WHEEL ASSY,FOAM,12X26,NM,RF<br><i>RT, Foam-filled, Non-marking, engine side<br/>(right front) (water-based foam)</i>      |      |      |           |  |      |
| 9D   | 1258755GT | WHEEL ASSY,FOAM,12X26,NM,LF<br><i>RT, Foam-filled, Non-marking, controls side<br/>(left front) (petroleum-based foam)</i> |      |      |           |  |      |
| 9D   | 1258756GT | WHEEL ASSY,FOAM,12X26,NM,RF<br><i>RT, Foam-filled, Non-marking, engine side<br/>(right front) (petroleum-based foam)</i>  |      |      |           |  |      |
| 9E   | T112503GT | ASSY,HI FLOAT TIRE/WHEEL<br>FRONT.....<br><i>Hi-Floatation, Foam-filled, Front (to SN<br/>GS6916F-9824)</i>               | 2    |      |           |  |      |
| 10   | 148426GT  | LUG BOLT,45 DEG,1/2-20 UNF.....   | 12   |      |           |  |      |
| 11   | 44780GT   | NUT,CASTLE,1.125-18 UNEF.....   | 2    |      |           |  |      |
| 12   | T109085GT | PLATE, CASTLE NUT LOCK.....   | 2    |      |           |  |      |
| 13   | 49857GT   | SCREW,HHC,3/8-16 X .88,GRD 8.....   | 16   |      |           |  |      |
| 14   | 6198GT    | NUT,NYLOCK,1/2-13.....  | 8    |      |           |  |      |
| 15   | 42360GT   | SCREW,SHC,1/2-13 X 4 ZINC.....  | 8    |      |           |  |      |

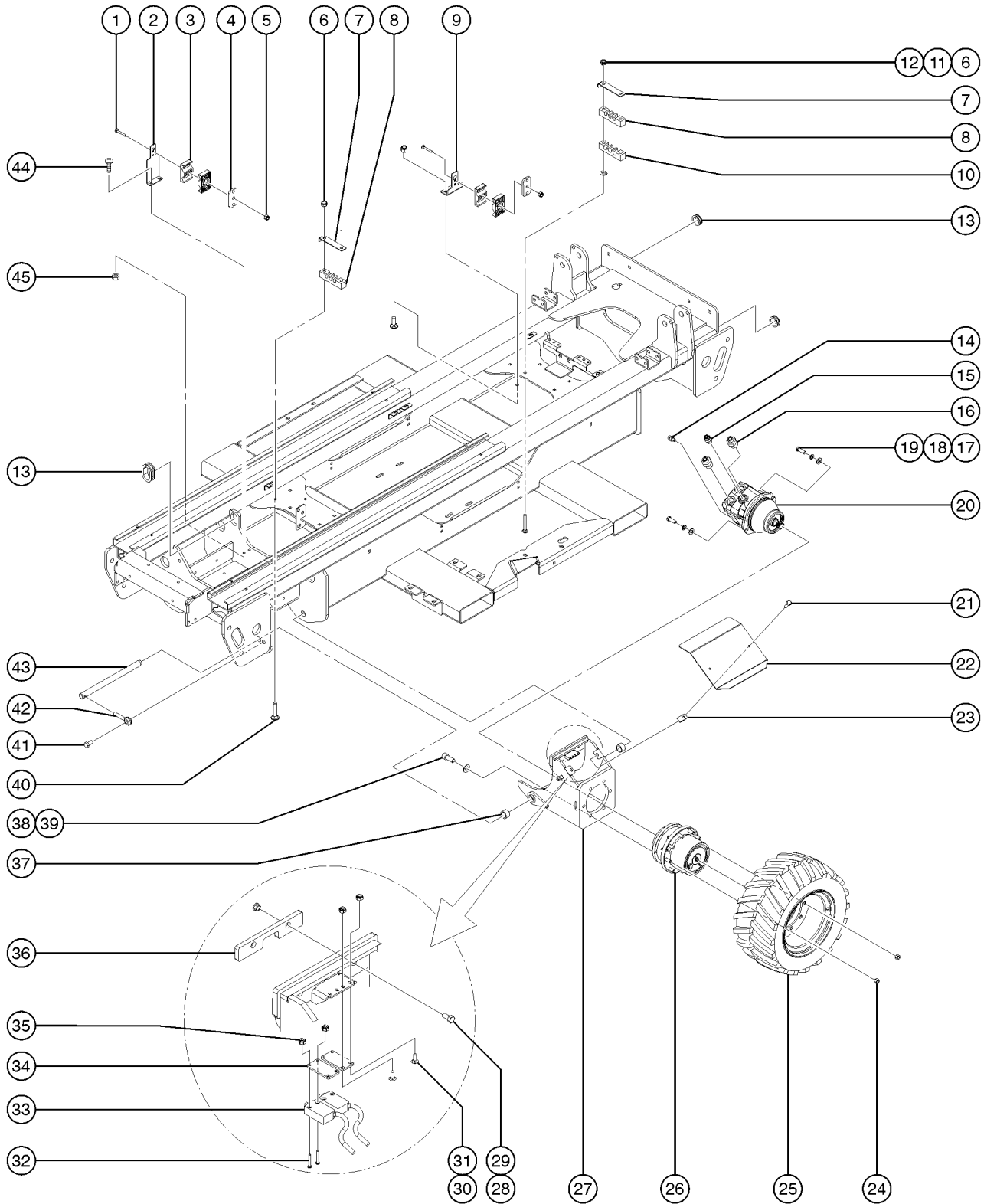
202.1 Steer Axle Linkage, Oscillation



## 202.1 Steer Axle Linkage, Oscillation

| Item | Part No.  | Description  | Qty. |
|------|-----------|--|------|
| 1    | 67387GT   | PIN,1.00DIAX5.27LG,1HOLE.....  | 4    |
| 2    | 1255452GT | ROD END,.375 X 2.25,ZAG.....   | 4    |
| 3    | 13918GT   | SCREW,HHC,3/8-16 X 1.75,GRD.8.....                                   | 4    |
| 4    | 6097GT    | WASHER,FLAT,USS,3/8",Y.....  | 4    |
| 5    | 4828GT    | NUT,NYLOCK,3/8-16.....   | 4    |
| 6A   | 148400GT  | FORMING,OSC.COVER,GS69.....<br><i>(to SN 3661) (Genie blue)</i>      | 2    |
| 6B   | 1254184GT | FORMING,OSC.COVER,GS69.....<br><i>(from SN 3662) (traffic black)</i> | 2    |
| 7    | 7339GT    | SCREW,HHC,1/4-20 X .5.....   | 4    |
| 8    |           | Ref. CYLINDER,OSCILATING,GS69<br><i>(refer to 704.1)</i>             |      |
| 9    |           | Ref. WELDMENT,OSC.AXLE.....<br><i>(refer to 201.1)</i>               | 1    |

203.1 Non-Steer Axle and Drive Motors





## 203.1 Non-Steer Axle and Drive Motors

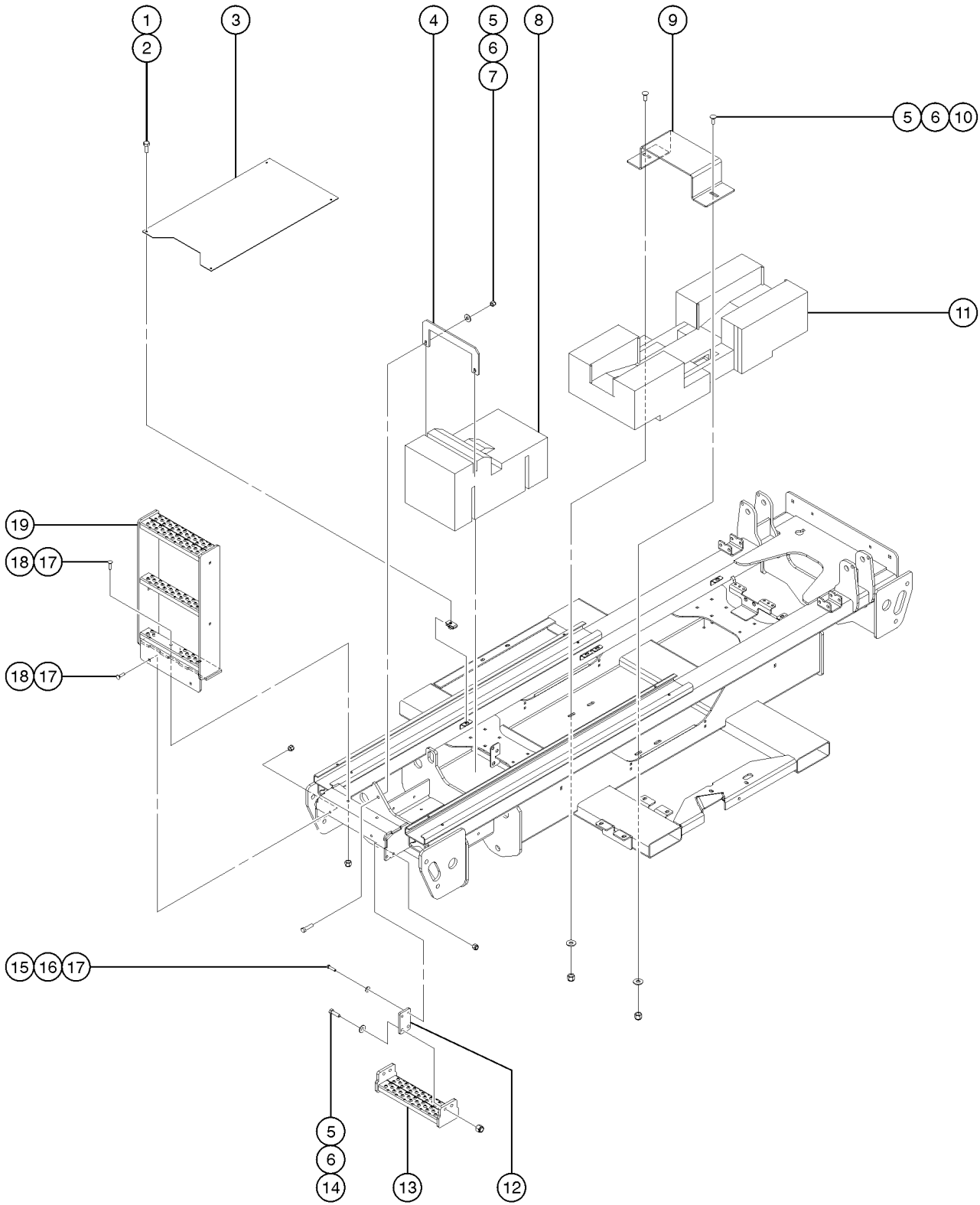
| Item | Part No.  | Description  | Qty. | Item | Part No.  | Description  | Qty. |
|------|-----------|--|------|------|-----------|--|------|
| 1    | 73464GT   | BOLT,CARRIAGE,1/4-20 X 1.75,G2.....4<br>(GS-2669RT & GS-3369RT)                                | 4    | 24   | 54627GT   | NUT,LUG,5/8-18 X 90 DEGREE,Z45.....18  | 18   |
| 2A   | T107969GT | FORMING,REAR DRIVE HOSE<br>CLAMP.....2<br>(GS-2669RT & GS-3369RT) (to SN 3661)<br>(Genie blue) | 2    | 25A  | 1258624GT | WHEEL ASSY,FOAM,12X26,BLK,LR.....1<br>RT, Foam-filled, controls side (left rear)<br>(water-based foam)                 | 1    |
| 2B   | 1254437GT | FORMING,REAR DRIVE HOSE CLAMP<br>(GS-2669RT & GS-3369RT) (from SN<br>3662) (traffic black)     | 2    | 25A  | 1258625GT | WHEEL ASSY,FOAM,12X26,BLK,RR.....1<br>RT, Foam-filled, engine side (right rear)<br>(water-based foam)                  | 1    |
| 3    | 78736GT   | CLAMP,2 HOSE,PLASTIC,5/8.....8<br>(GS-2669RT & GS-3369RT)                                      | 8    | 25B  | 1258749GT | WHEEL ASSY,FOAM,12X26,BLK,LR.....1<br>RT, Foam-filled, controls side (left rear)<br>(petroleum-based foam)             | 1    |
| 4    | 58592GT   | PLATE,HOSE<br>ROUTG,BULKHEAD(PTD).....4<br>(GS-2669RT & GS-3369RT)                             | 4    | 25B  | 1258750GT | WHEEL ASSY,FOAM,12X26,BLK,RR.....1<br>RT, Foam-filled, engine side (right rear)<br>(petroleum-based foam)              | 1    |
| 5    | 6091GT    | NUT,NYLOCK,1/4-20.....4<br>(GS-2669RT & GS-3369RT)   | 4    | 25C  | 1258628GT | WHEEL ASSY,FOAM,12X26,NM,LR.....1<br>RT, Foam-filled, Non-marking, controls side<br>(left rear) (water-based foam)     | 1    |
| 6    | 7713GT    | NUT, LP NYLOCK, 3/8-16.....8   | 8    | 25C  | 1258629GT | WHEEL ASSY, FOAM, 12X26,NM,RR.....1<br>RT, Foam-filled, Non-marking, engine side<br>(right rear) (water-based foam)    | 1    |
| 7A   | T107978GT | FORMING,CLAMP,CHASSIS,FRONT.....4<br>(to SN 3661) (Genie gray)                                 | 4    | 25D  | 1258753GT | WHEEL ASSY,FOAM,12X26,NM,LR.....1<br>RT, Foam-filled, Non-marking, controls side<br>(left rear) (petroleum-based foam) | 1    |
| 7B   | 1254175GT | FORMING,CLAMP,CHASSIS,FRONT.....4<br>(from SN 3662) (traffic black)                            | 4    | 25D  | 1258754GT | WHEEL ASSY,FOAM,12X26,NM,RR.....1<br>RT, Foam-filled, Non-marking, engine side<br>(right rear) (petroleum-based foam)  | 1    |
| 8    | T109744GT | CLAMP,HOSE,FRONT,3X#4.....4  | 4    | 25E  | 131695GT  | ASSY, HI FLOAT TIRE/WHEEL REAR....2<br>Hi-Floatation, Foam-filled, Rear (to SN<br>GS6916F-9824)                        | 2    |
| 9A   | T107936GT | FORMING,DRIVE HOSE CLAMP<br>MOUNT.....2<br>(to SN 3661) (Genie blue)                           | 2    | 26   | T110637GT | WHEEL DRIVE W/ BRAKE,48.1.....2  | 2    |
| 9B   | 1254176GT | FORMING,DRIVE HOSE CLAMP<br>MOUNT.....2<br>(from SN 3662) (traffic black)                      | 2    | --   | 106117GT  | O-RING,2-010,VITON<br>(Mating O-ring for Brake Port)(Extremely<br>small)   |      |
| 10   | T109745GT | CLAMP,HOSE,FRONT,2X#4,#6.....2   | 2    | --   | 106118GT  | O-RING,2-157,VITON***<br>(Motor to Hub O-ring)   |      |
| 11   | 87684GT   | PUSH RETAINER, 3/8" SCREW.....4  | 4    | --   | 139966GT  | ROD,DISCONNECT,OMNI***   |      |
| 12   | 112476GT  | BOLT,CARRIAGE,3/8-16X2.75,G5.....4   | 4    | --   | 139967GT  | CAP,DISENGAGE,OMNI***  |      |
| 13   | T109739GT | GROMMET,RUBBER,1.75 ID.....12  | 12   | --   | 139968GT  | O-RING,END COVER,OMNI***   |      |
| 14   | 48905GT   | CONN,520120-4***.....4   | 4    | --   | 139969GT  | LINING KIT,BRAKE,OMNI***   |      |
| 15   | 48930GT   | CONN,520120-6-8.....2  | 2    | --   | 139970GT  | SEAL KIT,BRAKE,OMNI***   |      |
| 16   | 48948GT   | CONN,520120-8-12.....4   | 4    | --   | 139971GT  | BEARING KIT,OMNI***  |      |
| 17   | 88296GT   | SCREW,HHC,7/16-14 X 1.25.....4   | 4    | --   | 147033GT  | O-RING,PIPE PLUG KIT,OMNI***   |      |
| 18   | 20912GT   | WASHER,LOCK,,437,PLTD.....4  | 4    | --   | 147034GT  | PIPE PLUG KIT,OMNI***  |      |
| 19   | 106134GT  | WASHER,FLAT,HARDENED 7/16.....4  | 4    | --   | 230849GT  | WHEEL STUD,5/8-18X67MM.....9   | 9    |
| 20   | 101586GT  | MOTOR,PISTON,LC25,6.5 DEG,13T.....2  | 2    | --   | 233041GT  | SEAL KIT, WHEEL DRIVE  |      |
| --   | 106098GT  | SEAL KIT,MOTOR,LC/KC***  |      | 27A  | 131643GT  | SUBASSY,IC REAR AXLE.....2<br>(to SN 3661) (Genie blue) (includes item<br>37)  | 2    |
| --   | 106117GT  | O-RING,2-010,VITON   |      | 27B  | 1267290GT | SUBASSY, IC REAR AXLE.....2<br>(from SN 3662) (traffic black) (includes item<br>37)                                    | 2    |
| --   | 106118GT  | O-RING,2-157,VITON***  |      | 28   | 33987GT   | SCREW,HHC,1/2-13 X 1, GR 5.....4   | 4    |
| 21   | 6090GT    | SCREW,HHC,1/4-20 X .75.....4   | 4    |      |           |  |      |
| 22A  | 131755GT  | COVER,REAR AXLE.....2<br>(to SN 3661) (Genie blue)   | 2    |      |           |  |      |
| 22B  | 1254178GT | COVER,REAR AXLE.....2<br>(from SN 3662) (traffic black)  | 2    |      |           |  |      |
| 23   | 56912GT   | SPRING<br>CLIP,1/4-20,.025-.15X.54,ZAG.....4   | 4    |      |           |  |      |

### 203.1 Non-Steer Axle and Drive Motors (continued)

| Item | Part No.  | Description   | Qty. |
|------|-----------|---|------|
| 29   | 96320GT   | NUT,LOCKING-LG.FLANGE, 1/2-13.....                                      | 4    |
| 30   | 1283121GT | BOLT,CARRIAGE,#10-24X 5/8",G2.....                                      | 8    |
| 31   | 5365GT    | NUT,NYLOCK,10-24.....   | 8    |
| 32   | 18540GT   | SCREW,RHM,8-32 X 1.....   | 8    |
| 33   | 148236GT  | SWITCH,LIMIT,PLUNGER,SMALL.....   | 4    |
| 34A  | 131640GT  | PLATE,SENSE AXLE SWITCH.....<br>(to SN 3661) ( <i>Genie blue</i> )      | 4    |
| 34B  | 1254177GT | PLATE,SENSE AXLE SWITCH.....<br>(from SN 3662) ( <i>traffic black</i> ) | 4    |
| 35   | 18605GT   | NUT,NYLOCK,8-32.....  | 4    |
| 36   | 131639GT  | PAD,SENSE AXLE REST.....  | 2    |
| 37   | 51474GT   | BEARING,1.00IDX1.25ODX0.75L.....  | 4    |
| 38   | 112512GT  | SCREW,SHC,5/8-11 X 1.5<br>NDPATCH.....                                  | 12   |
| 39   | 13064GT   | WASHER,FLAT,625 HARDENED.....   | 12   |
| 40   | 112572GT  | BOLT,CARRIAGE,3/8-16X1.75.....  | 4    |
| 41   | 8255GT    | SCREW,HHC,3/8-16 X .75.....   | 2    |
| 42   | 1255452GT | ROD END,.375 X 2.25,ZAG.....  | 2    |
| 43   | 237340GT  | PIN,OSC PIVOT.....  | 2    |
| 44   | 73466GT   | BOLT,CARRIAGE,3/8-16 X 1.00,G2.....<br>(GS-2669RT & GS-3369RT)          | 8    |
| 45   | 4828GT    | NUT,NYLOCK,3/8-16.....<br>(GS-2669RT & GS-3369RT)                       | 8    |

***This Page Intentionally Left Blank***

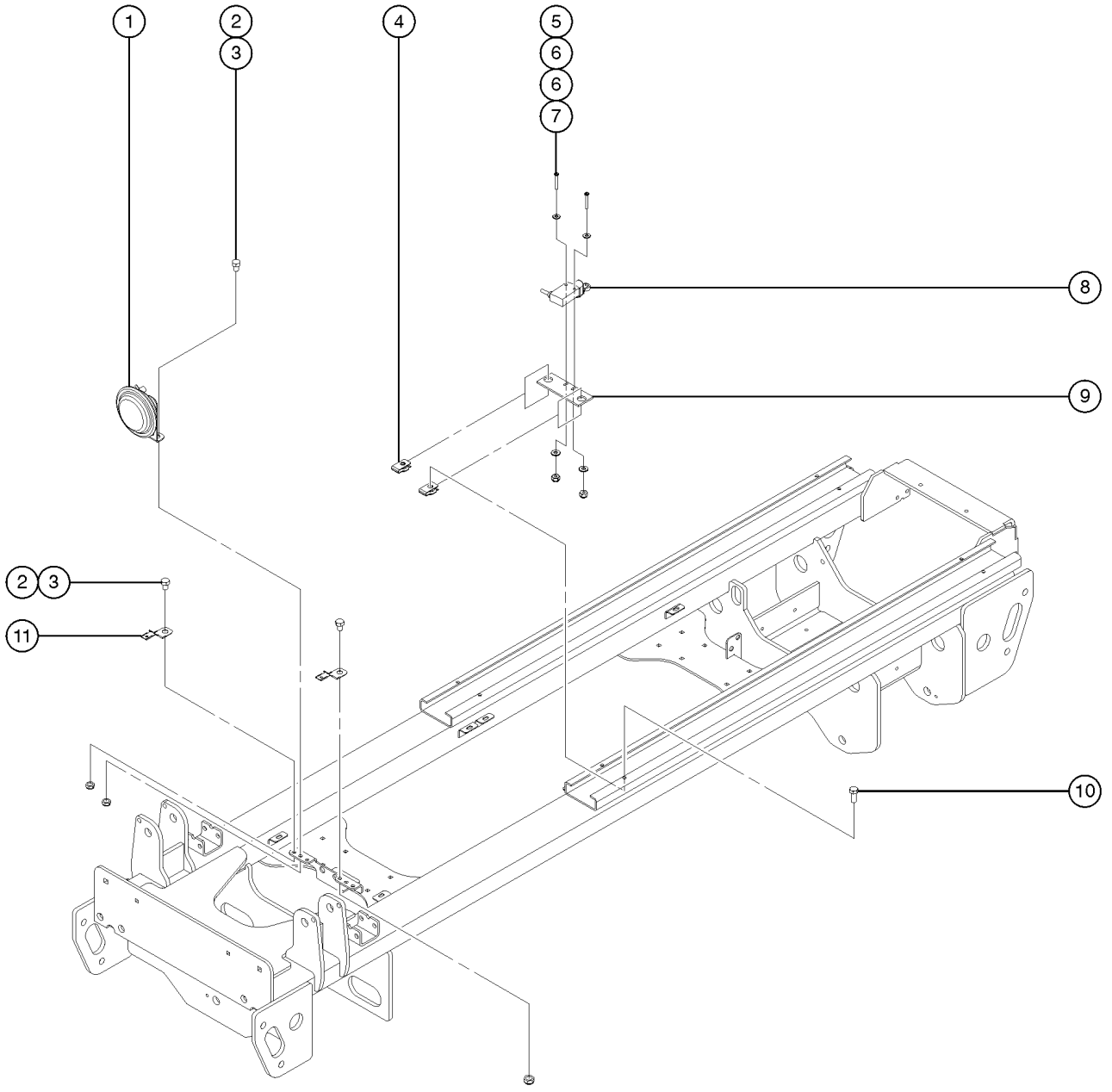
204.1 Ladder and Counterweight



## 204.1 Ladder and Counterweight

| Item | Part No.  | Description  | Qty. | Item | Part No.  | Description   | Qty. |
|------|-----------|--|------|------|-----------|---|------|
| 1    | 6090GT    | SCREW,HHC,1/4-20 X .75.....  | 8    | 19D  | 1254188GT | WELDMENT,LADDER,GS4069.....1<br>(GS-4069 RT) (from SN 3662) (Genie blue)<br>(decals not included, refer to 100) |      |
| 2    | 56912GT   | SPRING<br>CLIP,1/4-20,.025-.15X.54,ZAG.....  | 8    |      |           |   |      |
| 3A   | 148271GT  | FORMING,CHASSIS COVER.....2<br>(to SN 3661) (Genie blue)   |      |      |           |   |      |
| 3B   | 1254174GT | FORMING,CHASSIS COVER.....2<br>(from SN 3662) (traffic black)  |      |      |           |   |      |
| 4A   | T115515GT | PLATE,REAR CW BRACKET.....1<br>(GS-4069 RT) (to SN 3661) (Genie blue)  |      |      |           |   |      |
| 4B   | 1254436GT | PLATE,REAR CW BRACKET.....1<br>(GS-4069 RT) (from SN 3662) (traffic black)   |      |      |           |   |      |
| 5    | 6198GT    | NUT,NYLOCK,1/2-13.....   | 8    |      |           |   |      |
| 6    | 6095GT    | WASHER,FLAT,USS,1/2",Y.....  | 8    |      |           |   |      |
| 7    | 6096GT    | SCREW,HHC,1/2-13 X 2 GR5.....  | 2    |      |           |   |      |
| 8    | 232537GT  | CASTING,CW,REAR,4069.....1<br>(GS-4069 RT)   |      |      |           |   |      |
| 9A   | T114860GT | FORMING,MID CW BRACKET.....1<br>(GS-4069 RT) (to SN 3661) (Genie blue)   |      |      |           |   |      |
| 9B   | 1254462GT | FORMING,MID CW BRACKET.....1<br>(GS-4069 RT) (from SN 3662) (traffic black)  |      |      |           |   |      |
| 10   | 96977GT   | BOLT,CARRIAGE,1/2-13X1.50,GR5.....   | 2    |      |           |   |      |
| 11   | 232536GT  | CASTING,CW,MID,4069.....1<br>(GS-4069 RT)  |      |      |           |   |      |
| 12   | 148403GT  | STRAP, RUBBER STEP SUPPORT.....  | 2    |      |           |   |      |
| 13A  | 148292GT  | WELDMENT,LOWER LADDER STEP.....1<br>(to SN 3661) (Genie gray) (models without<br>outriggers)   |      |      |           |   |      |
| 13B  | 1254187GT | WELDMENT,LOWER LADDER STEP.....1<br>(from SN 3662) (Genie blue) (models<br>without outriggers)   |      |      |           |   |      |
| 14   | 22788GT   | SCREW,HHC,1/2-13 X 1.75.....   | 4    |      |           |   |      |
| 15   | 8516GT    | SCREW, HCC, 3/8-16 X 1.50.....   | 4    |      |           |   |      |
| 16   | 6097GT    | WASHER,FLAT,USS,3/8",Y.....  | 4    |      |           |   |      |
| 17   | 4828GT    | NUT,NYLOCK,3/8-16.....   | 8    |      |           |   |      |
| 18   | 60790GT   | BOLT, CARRIAGE, 3/8-16 X 1.50, G5.....   | 4    |      |           |   |      |
| 19A  | 235095GT  | LADDER ASSY,2669&3369.....1<br>(GS-2669 RT and GS-3369 RT) (to SN<br>3661) (Genie gray)  |      |      |           |   |      |
| --   | 148277GT  | WELDMENT,26/32 LADDER.....1<br>(GS-2669 RT and GS-3369 RT) (to SN<br>3661) (Genie gray) (decals not included,<br>refer to section 100)       |      |      |           |   |      |
| 19B  | 1254189GT | WELDMENT,LADDER,GS26/3369.....1<br>(GS-2669 RT and GS-3369 RT) (from SN<br>3662) (Genie blue) (decals not included,<br>refer to section 100) |      |      |           |   |      |
| 19C  | 235096GT  | LADDER ASSY,GS4069.....1<br>(GS-4069 RT) (to SN 3661) (Genie gray)   |      |      |           |   |      |
| --   | 148307GT  | WELDMENT, GS4068 LADDER.....1<br>(GS-4069 RT) (to SN 3661) (Genie gray)<br>(decals not included, refer to 100)                               |      |      |           |   |      |

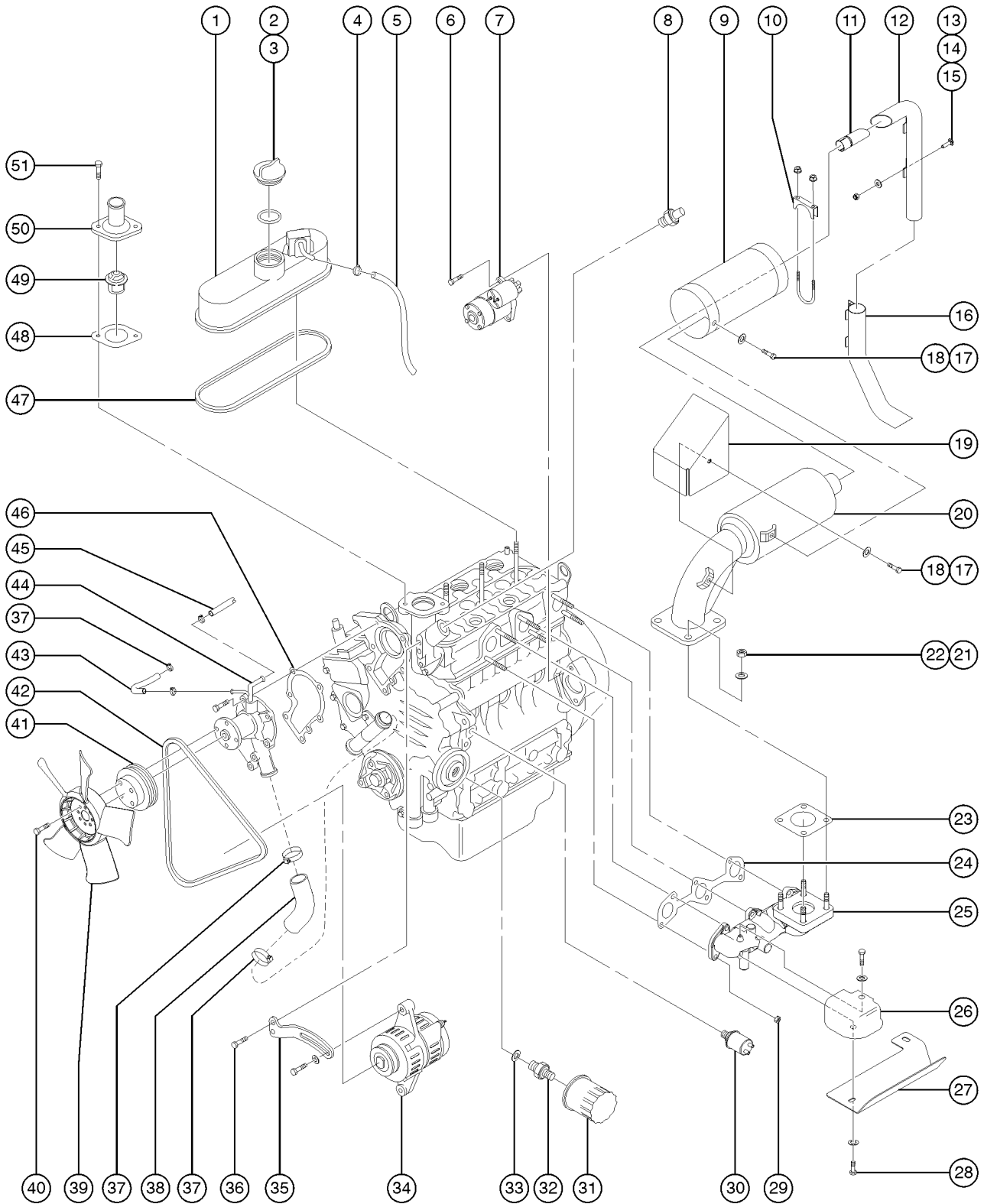
205.1 Drive Chassis, Safety Components



## 205.1 Drive Chassis, Safety Components

| Item | Part No.  | Description   | Qty. |
|------|-----------|---|------|
| 1    | 81579GT   | HORN,24VDC,SPADE TERMINALS***.....1                 | 1    |
| 2    | 71508GT   | SCREW,HHC,3/8-16 X .50 GR.5.....2                   | 2    |
| 3    | 7713GT    | NUT, LP NYLOCK, 3/8-16.....2                        | 2    |
| 4A   | 29868GT   | SPRING CLIP,3/8-16,.05-.20X.73,ZAG<br>to SN 1755    | 2    |
| 4B   | 4828GT    | NUT,NYLOCK,3/8-16.....2<br>from SN 1756             | 2    |
| 5    | 49821GT   | SCREW,PHILLIPS,PHM,8-32 X 1.25.....2                | 2    |
| 6    | 35461GT   | WASHER,FLAT,MS,#8,Y.....4                           | 4    |
| 7    | 18605GT   | NUT,NYLOCK,8-32.....2                               | 2    |
| 8A   | 105692GT  | SWITCH,LIMIT,W/ROLLER ARM<br>to SN 1755             | 1    |
| 8B   | 220237GT  | SWITCH,LIMIT,ZCY15 ARM.....1<br>from SN 1756        | 1    |
| 9A   | 148413GT  | PLATE,UP L.S. MOUNT<br>to SN 1755                   | 1    |
| 9B   | 220153GT  | PLATE,LIMIT SWITCH,LS.....1<br>from SN 1756 to 3661 | 1    |
| 9C   | 1254170GT | PLATE,LIMIT SWITCH,LS.....1<br>from SN 3662         | 1    |
| 10A  | 49857GT   | SCREW,HHC,3/8-16 X .88,GRD 8<br>to SN 1755          | 2    |
| 10B  | 64154GT   | BOLT,CARRIAGE,3/8-16 X1.00,G5.....2<br>from SN 1756 | 2    |
| 11   | 99346GT   | CLIP, METAL MOUNTING.....3                          | 3    |

301.1 Kubota WG-972 Engine, View 1 (to SN GS6916F-8533)

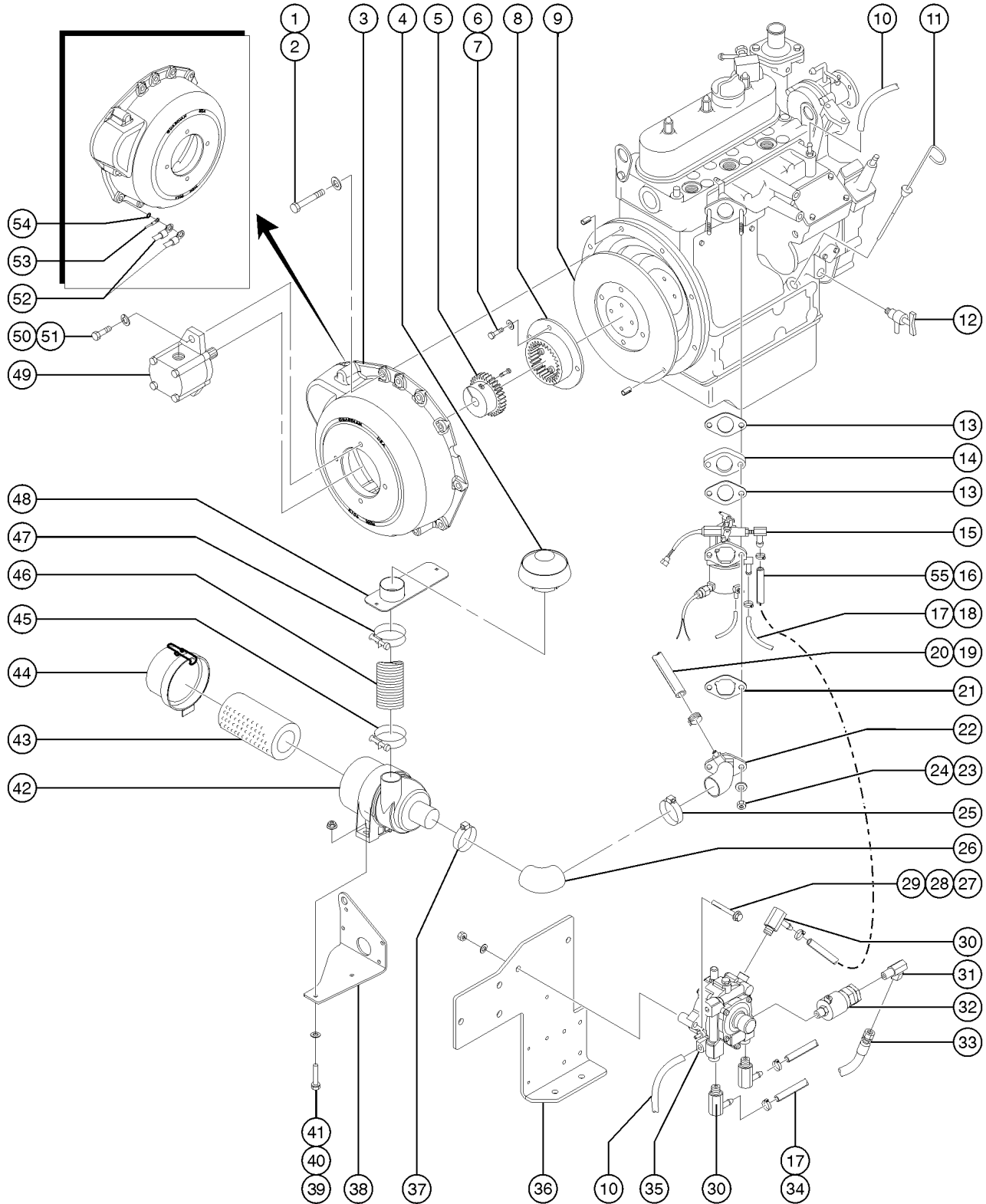




## 301.1 Kubota WG-972 Engine, View 1 (to SN GS6916F-8533)

| Item | Part No.  | Description   | Qty. | Item | Part No. | Description                          | Qty. |
|------|-----------|---|------|------|----------|--------------------------------------|------|
| --   | 139192GT  | SOLENOID, KUBOTA,DF972  |      | 39   | 227594GT | RAD. FAN,5-BLADE,DF-972.....1        | 1    |
| --   |           | <i>for internal engine components, contact engine dealer</i>          |      | 40   | 235509GT | BOLT, FAN, WG972                     |      |
| 1    | 235499GT  | VALVE COVER, WG972.....1  | 1    | 41   | 23469GT  | PULLEY,FAN,WG750B***.....1           | 1    |
| 2    | 235500GT  | ORING, OIL FILLER PLUG, WG972.....1                                   | 1    | 42   | 52816GT  | BELT,FAN,KUBOTA DF972/Z482-E.....1   | 1    |
| 3    | 52808GT   | PLUG,OIL FILLER Z482,Z34/22BE*.....1                                  | 1    | 43   | 235510GT | HOSE, UP, WATER PUMP, WG972.....1    | 1    |
| 4    | 32069GT   | CLAMP,HOSE,KUBOTA WG750.....4   | 4    | 44   | 139196GT | WATER PUMP, DF972.....1              | 1    |
| 5    | 235501GT  | PIPE, BREATHER JOINT, WG972.....1                                     | 1    | 45   | 235511GT | JOINT PIPE, WG972.....1              | 1    |
| 6    | 235502GT  | BOLT, M8X30MM, KUBOTA   |      | 46   | 23472GT  | GASKET,WATER PUMPWG750B/Z482-E.....1 | 1    |
| 7    | 139191GT  | STARTER MOTOR, KUBOTA, DF972.....1                                    | 1    | 47   | 235512GT | GASKET, VALVE COVER, WG972.....1     | 1    |
| 8    | 54332GT   | SWITCH,WATER TEMP.....1   | 1    | 48   | 28092GT  | GASKET,THERMOSTAT-28091.....1        | 1    |
| 9    | 227592GT  | COVER,MUFFLER,DF-972.....1  | 1    | 49   | 139278GT | THERMOSTAT.....1                     | 1    |
| 10   | 62160GT   | CLAMP,TAILPIPE, 1 1/2***.....1<br><i>including mounting fasteners</i> | 1    | 50   | 139200GT | THERMOSTAT HOUSING, DF972.....1      | 1    |
| 11   | T108133GT | TAILPIPE,DF-972,GS69.....1  | 1    | 51   | 235513GT | BOLT, THERMOSTAT COVER, WG972        |      |
| 12   | 148416GT  | TAILPIPE,EXTENSION,UNIV.....1   | 1    |      |          |                                      |      |
| 13   | 79456GT   | BOLT,CARRIAGE,1/4-20 X 1.00,G2.....4                                  | 4    |      |          |                                      |      |
| 14   | 6638GT    | WASHER,FLAT,USS,1/4"Y.....4   | 4    |      |          |                                      |      |
| 15   | 6091GT    | NUT,NYLOCK,1/4-20.....4   | 4    |      |          |                                      |      |
| 16   | 228974GT  | TAILPIPE,END,UNIV.....1   | 1    |      |          |                                      |      |
| 17   | 235503GT  | BOLT, MUFFLER COVER, WG972  |      |      |          |                                      |      |
| 18   | 235504GT  | WASHER, MUFFLER COVER, WG972  |      |      |          |                                      |      |
| 19   | 227593GT  | COVER,MUFFLER,FLANGE,DF-972.....1                                     | 1    |      |          |                                      |      |
| 20   | T114655GT | CATALYTIC MUFFLER,DF-972.....1  | 1    |      |          |                                      |      |
| 21   | 52850GT   | NUT-SELF LOCKING, M8X1.25MM.....4                                     | 4    |      |          |                                      |      |
| 22   | 52535GT   | WASHER,LOCK,GOV.LEVER,DF750***.4                                      | 4    |      |          |                                      |      |
| 23   | 832128GT  | GASKET,MUFFLER,KUBOTA D905/11.....1                                   | 1    |      |          |                                      |      |
| 24   | 235552GT  | GASKET, EXH. MANIFOLD, WG972.....1                                    | 1    |      |          |                                      |      |
| 25   | 139202GT  | EXHAUST MANIFOLD, DF972.....1   | 1    |      |          |                                      |      |
| 26   | 227582GT  | HEAT SHIELD,EXH MAN,DF-972.....1                                      | 1    |      |          |                                      |      |
| 27   | T113979GT | HEAT SHIELD,DF972 EXHAUST MAN...1                                     | 1    |      |          |                                      |      |
| 28   | 235505GT  | BOLT, HEAT SHIELD, WG972  |      |      |          |                                      |      |
| 29   | 235506GT  | NUT, EXH. MAN., WG972   |      |      |          |                                      |      |
| 30   | 22934GT   | SWITCH,OIL,PRESSURE,KUBOTA.....1                                      | 1    |      |          |                                      |      |
| 31   | 866400GT  | KUBOTA OIL FILTER.....1   | 1    |      |          |                                      |      |
| 32   | 84039GT   | JOINT-PIPE.....1  | 1    |      |          |                                      |      |
| 33   | 84040GT   | WASHER-PLAIN.....1  | 1    |      |          |                                      |      |
| 34   | T114682GT | ALTERNATOR,40-AMP,DF-972.....1  | 1    |      |          |                                      |      |
| --   | 227579GT  | ALTERNATOR GUARD,DF-972   |      |      |          |                                      |      |
| 35   | 44184GT   | ALTERNATOR STAY,WG750***.....1  | 1    |      |          |                                      |      |
| 36   | 233507GT  | BOLT, ALT. STAY, WG972  |      |      |          |                                      |      |
| 37   | 32092GT   | CLAMP,HOSE,KUBOTA WG750.....2   | 2    |      |          |                                      |      |
| 38   | 233508GT  | HOSE, LWR, WATER PUMP, WG972.....1                                    | 1    |      |          |                                      |      |

302.1 Kubota WG-972 Engine, View 2 (to SN GS6916F-8533)



## 302.1 Kubota WG-972 Engine, View 2 (to SN GS6916F-8533)

| Item | Part No.  | Description   | Qty. | Item | Part No.  | Description   | Qty. |
|------|-----------|---|------|------|-----------|---|------|
| --   |           | <i>for internal engine components, contact engine dealer</i>                                      |      | 18A  | 233943GT  | HOSE, FUEL 3/16", 100"LG<br><i>(check valve to carburetor) (evaporative)</i>                |      |
| 1A   | 235516GT  | BOLT, BELLHOUSING MNT, WG972<br><i>(for SN 101 to 2311)</i>                                       |      | 18A  | 233944GT  | HOSE, FUEL 3/16", 5"LG<br><i>(tank to check valve) (evaporative)</i>                        |      |
| 1B   | 162458GT  | HRDWKIT,BELLHSING,WG972,GRDN<br><i>(from SN 2312)</i>   |      | 19   | 235522GT  | PIPE, BREATHER JOINT, WG972   |      |
| 2A   | 235517GT  | WASHER, BELLHOUSING MNT, WG972<br><i>(for SN 101 to 2311)</i>                                     |      | 20   | 32069GT   | CLAMP,HOSE,KUBOTA WG750   |      |
| 3A   | 148040GT  | BELLHOUSING,DF-972,GS69.....1<br><i>(for SN 101 to 2311)</i>                                      | 1    | 21   | 52427GT   | GASKET,AIR CLEANER, DF-750  |      |
| 3B   | 162457GT  | BELLHOUSING,DF-972,GRDN,GS69<br><i>(from SN 2312)</i>   |      | 22   | T114659GT | AIR CLEANER FLANGE,DF-972.....1   | 1    |
| 4    | 52420GT   | CAP,RAIN,AIR CLEANER, GS68RT**.....1  | 1    | 23   | 52850GT   | NUT-SELF LOCKING, M8X1.25MM   |      |
| 5    | 1268809GT | COUPLER, SPLINED,9 TOOTH,<br>30MM.....1<br><i>(30mm long)</i>                                     | 1    | 24   | 52535GT   | WASHER,LOCK,GOV.LEVER,DF750***  |      |
| 6    | 235518GT  | BOLT, FLANGE ADAPTER, WG972   |      | 25   | 35434GT   | CLAMP,HOSE,2.00***.....1  | 1    |
| 7    | 235519GT  | WASHER, FLANGE ADAPTER, WG972   |      | 26   | 139483GT  | HOSE, INLET, DF972.....1  | 1    |
| 8    | 161193GT  | ADAPTER,FLANGE,FLYWHEEL.....1   | 1    | 27   | 121067GT  | SCREW,HHC,FLG,1/4-20 X 2.00   |      |
| 9    | 235520GT  | FLYWHEEL, WG972.....2   | 2    | 28   | 6638GT    | WASHER,FLAT,USS,1/4"Y   |      |
| 10   | 51495GT   | HOSE,1/8" VACUUM.....27-inches<br><i>(intake manifold to LPG regulator)</i>                       |      | 29   | 6091GT    | NUT,NYLOCK,1/4-20   |      |
| 11   | 139193GT  | DIP STICK, DF972.....1  | 1    | 30   | 84408GT   | FITTING,90DEG ELBOW.....3   | 3    |
| 12   | 235521GT  | PETCOCK, DRAIN, WG972.....1   | 1    | 31   | 19859GT   | ELBOW,010202-6-4.....1  | 1    |
| 13   | 52425GT   | GASKET,CARBURETOR,KUBOTA<br>DF750.....2   | 2    | 32   | 81633GT   | VALVE,LP LOCKOUT W/O<br>CONNECTOR.....1   | 1    |
| 14   | 23467GT   | FLANGE,CARBURETOR,WG750B***.....1   | 1    | 33   | 1266868GT | HOSE ASSEMBLY,LP GAS-112" LONG<br><i>(LPG tank to regulator)</i>                            |      |
| 15   | T114657GT | CARBURATOR ASSY,DF-972.....1<br><i>(for correct jetting, refer to 161209 and 218604)</i>          | 1    | 34A  | 27903GT   | HOSE,LOW PRESSURE,.375<br>ID,BLK.....32-inches<br><i>(LPG regulator to intake manifold)</i> |      |
| 15A  | 161209GT  | JET KIT,KUB,WG972,CARB,1000M<br><i>(for T114657, for use between 4300 and 8900 feet altitude)</i> |      | 34B  | 27903GT   | HOSE,LOW PRESSURE,.375<br>ID,BLK.....28-inches<br><i>(LPG regulator to water pump)</i>      |      |
| 15A  | 218604GT  | JET KIT,KUB,WG972,CARB,2000M<br><i>(for T114657, for use between 1000 and 5600 feet altitude)</i> |      | 35   | 97482GT   | REGULATOR,LPG,KUBOTA,DF-752***  |      |
| 16   | 74514GT   | HOSE LPG 1/2" ID X 11.25" LG.....1<br><i>(LPG regulator to carburetor)</i>                        | 1    | 36A  | 148023GT  | FORMING,AIR CLEANER MT,DF-972....1<br><i>(to SN 3661) (Genie blue)</i>                      | 1    |
| 17   | 21465GT   | CLAMP,HOSE,.25" - .63" X .3125.....8  | 8    | 36B  | 1254142GT | FORMING,VAPORIZER MT,KUB DF<br><i>(from SN 3662) (traffic black)</i>                        |      |
| 18   | 233945GT  | HOSE, FUEL LO-PERM 5/16", 4"LG.....1<br><i>(fuel filter to fuel pump)</i>                         | 1    | 37   | 32084GT   | CLAMP,AIR CLEANER<br>HOSE,WG750**.....1   | 1    |
| 18   | 233946GT  | HOSE, FUEL LO-PERM 5/16", 7"LG.....1<br><i>(fuel tank to fuel filter)</i>                         | 1    | 38A  | 128332GT  | BRACKET, AIR CLEANER.....1<br><i>(to SN 3661) (Genie blue)</i>                              | 1    |
| 18   | 233947GT  | HOSE, FUEL LO-PERM 5/16",88"LG.....1<br><i>(fuel pump to carburetor)</i>                          | 1    | 38B  | 1254145GT | BRACKET, AIR CLEANER<br><i>(from SN 3662) (traffic black)</i>                               |      |
| 18A  | 1261278GT | VALVE,2WAY ,1PSI.....1<br><i>(from SN 6028)</i>   | 1    | 39   | 13000GT   | SCREW,HHC,5/16-18 X 1.25  |      |
| 18A  | 226960GT  | VALVE,2 WAY,2.5PSI<br><i>(check valve) (evaporative) (from SN 101 to 6027)</i>                    |      | 40   | 5397GT    | WASHER,FLAT,USS,5/16",Y   |      |
|      |           |   |      | 41   | 18503GT   | NUT,LOCKING-LG.FLANGE,5/16-18   |      |
|      |           |   |      | 42   | 84808GT   | AIR CLEANER ASSEMBLY, DF-752.....1<br><i>(includes item 40-41)</i>                          | 1    |
|      |           |   |      | 43   | 866127GT  | ELEMENT,AIR CLEANER,KUBOTA.....1  | 1    |
|      |           |   |      | 44   | 84810GT   | AIR CLEANER COVER, DF-752.....1   | 1    |
|      |           |   |      | 45   | 45435GT   | CLAMP,HOSE,2.50"***.....1   | 1    |
|      |           |   |      | 46   | 131372GT  | HOSE,1.75ID,2.50IDX12.0".....1  | 1    |

302.1 Kubota WG-972 Engine, View 2 (to SN GS6916F-8533)  
(continued)

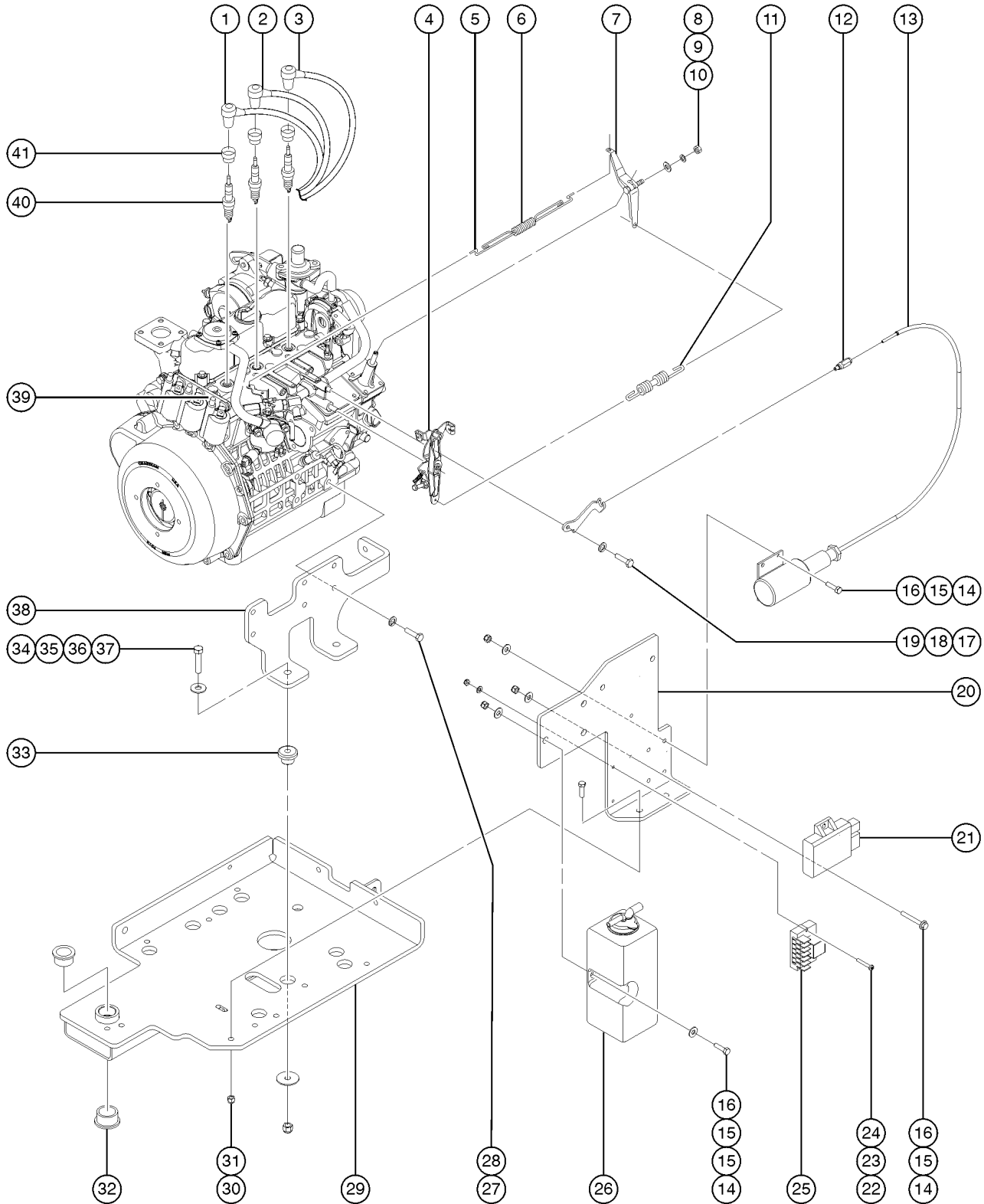
| Item | Part No.  | Description  | Qty. |
|------|-----------|--|------|
| 47   | 45435GT   | CLAMP,HOSE,2.50****  | 1    |
| 48A  | 99097GT   | WELDMENT,RAIN CAP MNT,<br>KUBOTA                             | 1    |
|      |           | (to SN 3661) (Genie blue)                                    |      |
| 48B  | 1254107GT | WELDMENT,RAIN CAP MNT, KUB<br>(from SN 3662) (traffic black) |      |
| 49   | 1270697GT | PUMP, GEAR, 16CC/REV   | 1    |
| --   | 1273258GT | SEAL KIT,CASAPPA<br>for pump 1270697                         |      |
| --   | 85197GT   | SEAL KIT,BOSCH PUMP***<br>for pump 87918                     |      |
| 50   | 6019GT    | SCREW,HHC,3/8-16 X 1.25 GRD 5                                |      |
| 51   | 6021GT    | WASHER,LOCK,.375   |      |
| 52   |           | Ref., HARNESS,BATTERY<br>(refer to 408.1)                    |      |
| 53   |           | Ref., HARNESS,ENGINE<br>(refer to 408.1)                     |      |
| 54   | 6700GT    | WASHER,STAR,EXTERNAL,.375<br>(from SN 2312)                  |      |
| 55   | 46131GT   | CLAMP,HOSE,.63" - 1.0" X .5"                                 | 8    |

---

302.1 Kubota WG-972 Engine, View 2 (to SN GS6916F-8533)  
(continued)

***This Page Intentionally Left Blank***

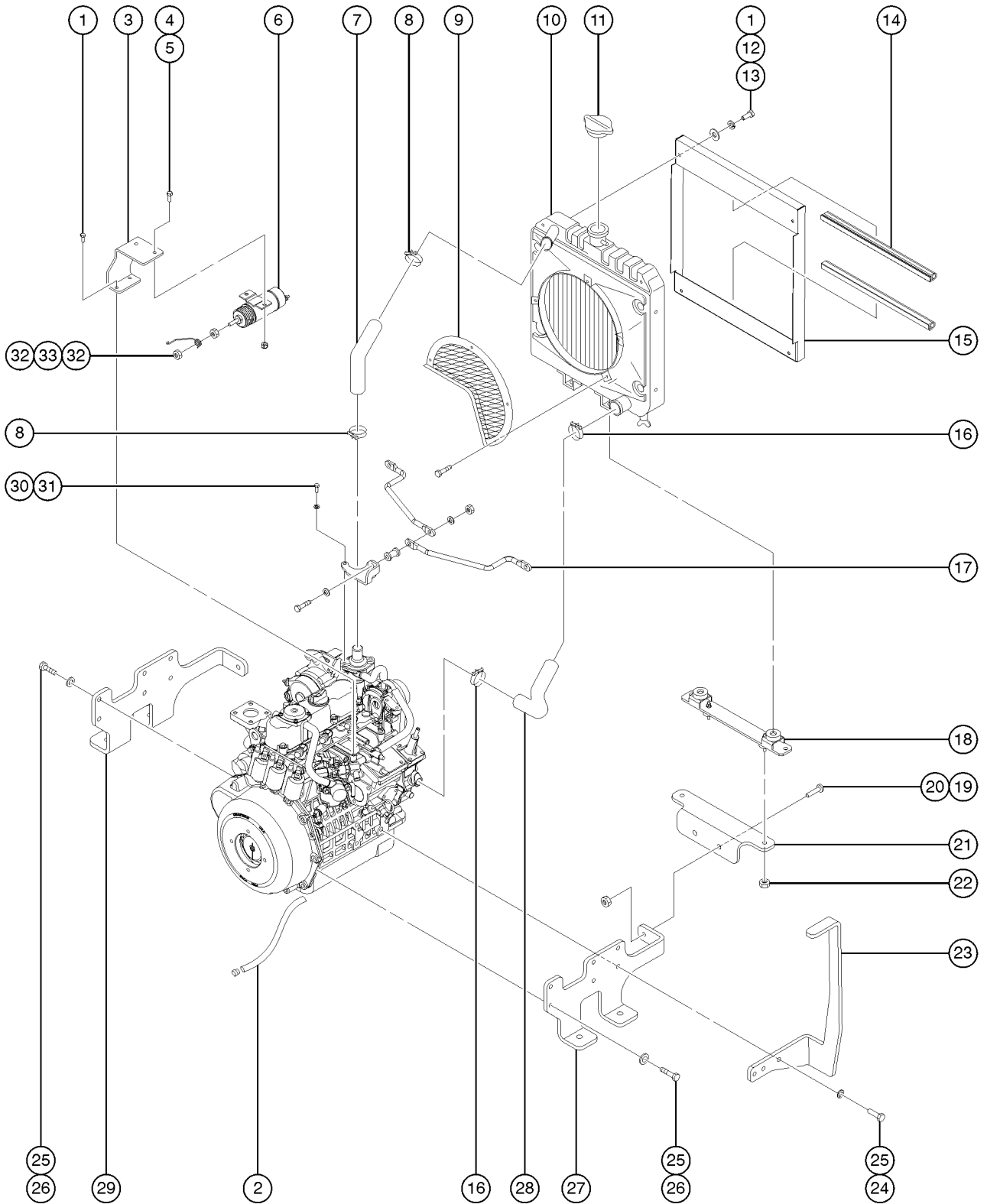
303.1 Kubota WG-972 Engine, View 3 (to SN GS6916F-8533)



## 303.1 Kubota WG-972 Engine, View 3 (to SN GS6916F-8533)

| Item | Part No.  | Description   | Qty. | Item | Part No.  | Description   | Qty. |
|------|-----------|---|------|------|-----------|---|------|
| --   |           | <i>for internal engine components, contact engine dealer</i>  |      | 27   | 228698GT  | SCREW,HHC,M10 X 1.25 X 35MM   |      |
| 1    | 139206GT  | SPARK PLUG WIRE 3, DF972.....1<br><i>limited inventory available; component no longer available from supplier</i> | 1    | 28   | 22700GT   | WASHER,LOCK,M10   |      |
| 2    | 139205GT  | SPARK PLUG WIRE 2, DF972.....1<br><i>limited inventory available; component no longer available from supplier</i> | 1    | 29   |           | Ref: Engine Swing Tray Weldment.....1<br><i>(refer to 402.1)</i>              | 1    |
| 3    | 139204GT  | SPARK PLUG WIRE 1, DF972.....1<br><i>limited inventory available; component no longer available from supplier</i> | 1    | 30   | 4828GT    | NUT,NYLOCK,3/8-16   |      |
| 4    | 235523GT  | ASSY, PLATE CONTROL, WG972.....1  | 1    | 31   | 6019GT    | SCREW,HHC,3/8-16 X 1.25 GRD 5   |      |
| 5    | 235524GT  | ROD, GOVERNOR, WG972  |      | 32   | 131813GT  | BEARING,BRZ,FL,1.0IDX1.25OD.....2   | 2    |
| 6    | 235525GT  | SPRING, GOVERNOR, WG972.....1   | 1    | 33   | 112929GT  | ISOLATOR,ENGINE,CNTR-BOND,50D...4   | 4    |
| 7    | 84053GT   | LEVER,GOVERNOR,DF*** .....1   | 1    | 34   | 104235GT  | SCREW,HHC,1/2-13X2.25 GRD 8   |      |
| 8    | 52521GT   | NUT,TAILPIPE,KUBOTA, 2668   |      | 35   | 6095GT    | WASHER,FLAT,USS,1/2",Y.....1  | 1    |
| 9    | 52535GT   | WASHER,LOCK,GOV.LEVER,DF750***  |      | 36   | 112946GT  | WASHER,FENDER,.5X2.125  |      |
| 10   | 52536GT   | WASHER,FLAT,GOV.LEVER, DF750  |      | 37   | 6198GT    | NUT,NYLOCK,1/2-13   |      |
| 11   | 44190GT   | SPRING,GOVERNOR,LOWER, WG750** .....1   | 1    | 38A  | 131897GT  | FORMING,ENGINE MOUNT,RT,DF-972.....1<br><i>(to SN 3661) (Genie blue)</i>      | 1    |
| 12   |           | CABLE END.....1<br><i>Component not available separately. Refer to 229071GT</i>                                   | 1    | 38B  | 1254144GT | FORMING,ENGINE MOUNT,RT,KUB DF.....1<br><i>(from SN 3662) (traffic black)</i> | 1    |
| 13   | 229071GT  | SOLENOID,THROTTLE W/CABLE.....1   | 1    | 39   |           | Ref: BRACKET, AIR CLEANER.....1<br><i>(refer to 302.1)</i>                    | 1    |
| 14   | 6888GT    | SCREW,HHC,1/4-20 X 1  |      | 40   | 139203GT  | SPARK PLUG, DF972.....3   | 3    |
| 15   | 6638GT    | WASHER,FLAT,USS,1/4"Y   |      | 41   | 128516GT  | CAP, SPARK PLUG.....3   | 3    |
| 16   | 6091GT    | NUT,NYLOCK,1/4-20   |      |      |           |   |      |
| 17   | 235526GT  | BOLT, THROTTLE RET., WG972  |      |      |           |   |      |
| 18   |           | <i>not used</i>   |      |      |           |   |      |
| 19A  | 229243GT  | BRACKET, THROTTLE END RETAINER.....1<br><i>(to SN 3661) (Genie blue)</i>  | 1    |      |           |   |      |
| 19B  | 1254127GT | BRACKET, THROTTLE END RETAINER.....1<br><i>(from SN 3662) (traffic black)</i>                                     | 1    |      |           |   |      |
| 20   |           | Ref: FORMING,AIR CLEANER MT,DF-972.....1<br><i>(refer to 302.1)</i>   | 1    |      |           |   |      |
| 21   | 128350GT  | IGNITION MODULE, DF972.....1  | 1    |      |           |   |      |
| --   | 128351GT  | HARNES, IGNITION MODULE   |      |      |           |   |      |
| 22   | 49817GT   | SCREW,PHILLIPS,PHM,10-32 X1.25  |      |      |           |   |      |
| 23   | 6146GT    | WASHER,FLAT,MS,#10,Y  |      |      |           |   |      |
| 24   | 14392GT   | NUT,LP NYLOCK,10-32   |      |      |           |   |      |
| 25   | 89997GT   | RELAY MODULE(89996,89998).....1   | 1    |      |           |   |      |
| 26   | 94532GT   | BOTTLE,COOLANT RECOVERY,1.4*** .....1   | 1    |      |           |   |      |
| 26A  | 115431GT  | CAP ASSY, COOLANT BOTTLE.....1<br><i>(for 94532)</i>  | 1    |      |           |   |      |
| 26B  | 131581GT  | HOSE,RAD.OVERFLOW,KD-1105,50"   |      |      |           |   |      |

304.1 Kubota WG-972 Engine, View 4 (to SN GS6916F-8533)

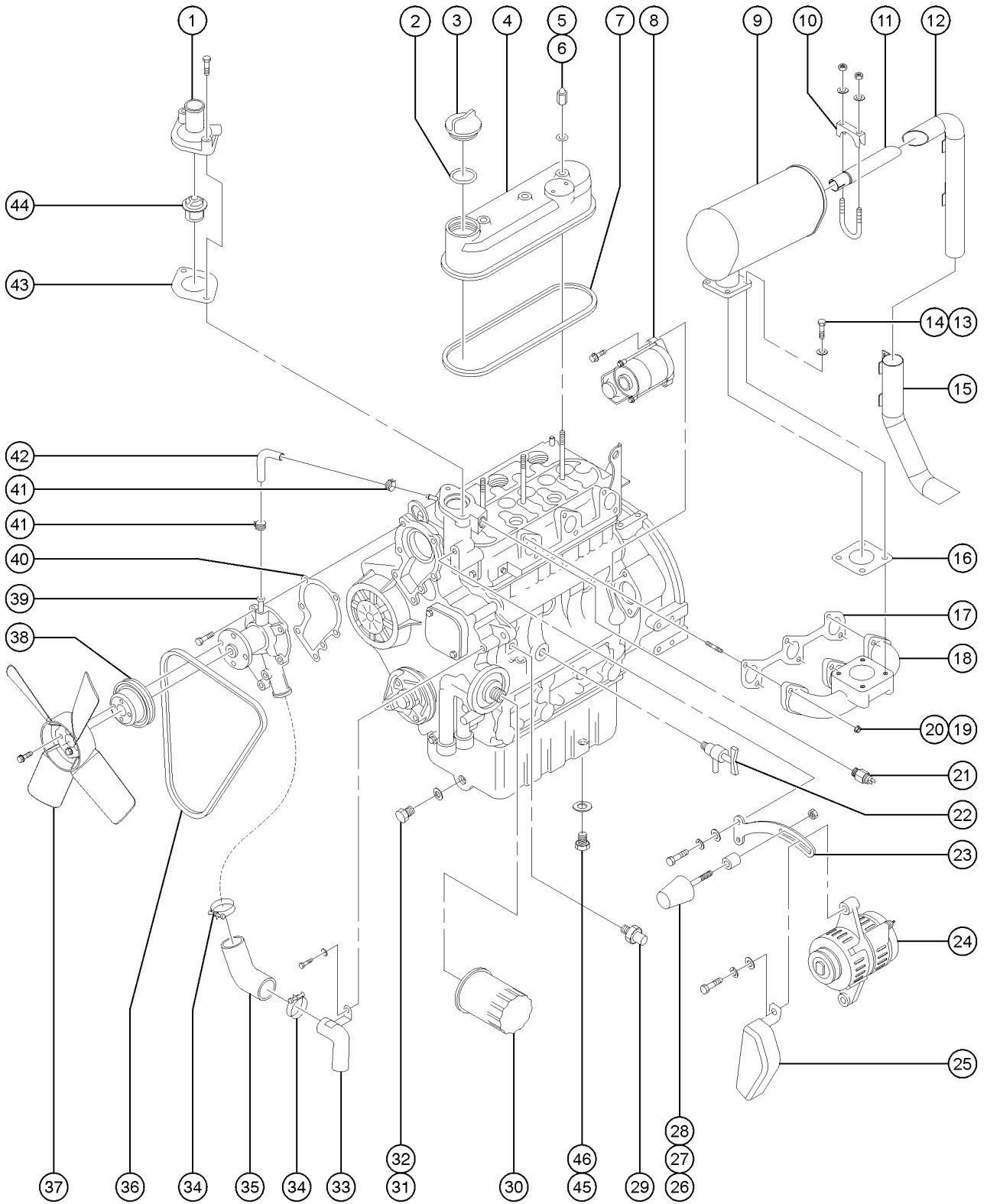




## 304.1 Kubota WG-972 Engine, View 4 (to SN GS6916F-8533)

| Item | Part No.  | Description  | Qty. | Item | Part No.  | Description   | Qty. |
|------|-----------|--|------|------|-----------|---|------|
| --   |           | <i>for internal engine components, contact engine dealer</i>                 |      | 26   | 22676GT   | SCREW,HHC,M10 X 1.25 X 30MM**.....  | 10   |
| --   |           | Perkins 404D-22T Engine Spec Decal   |      | 27   |           | Ref: Engine mount,RT.....<br><i>refer to 303.1</i>                        | 1    |
| 1    | 49375GT   | SCREW,HHC,M6 X 16.....   | 6    | 28   | 139212GT  | RADIATOR HOSE, LOWER, DF972.....  | 1    |
| 2    | 139168GT  | HOSE ASSY, 3/8",21.00.....<br><i>oil drain</i>                               | 1    | 29A  | 131954GT  | FORMING,ENGIE MOUNT,LT,DF-972.....<br><i>(to SN 3661) (Genie blue)</i>    | 1    |
| 3A   | 161714GT  | FORMING,CHOKE SOL.MOUNT,DF972.....<br><i>(to SN 3661) (Genie blue)</i>       | 1    | 29B  | 1254143GT | FORMING,ENGIE MOUNT,LT,KUB DF...<br><i>(from SN 3662) (traffic black)</i> | 1    |
| 3B   | 1254128GT | FORMING,CHOKE SOL. MNT, KUB DF.....<br><i>(from SN 3662) (traffic black)</i> | 1    | 30   | 235532GT  | SCREW, 8MMX1.25X30MM, WG972   |      |
| 4    | 6090GT    | SCREW,HHC,1/4-20 X .75.....  | 2    | 31   | 235533GT  | WASHER, LOCK, 8MM, WG972  |      |
| 5    | 6091GT    | NUT,NYLOCK,1/4-20.....   | 8    | 32   | 21496GT   | NUT,HEX,1/4-28  |      |
| 6    | 51745GT   | SOLENOID,1"STRKE,12V,SYNCR***.....   | 1    | 33A  | 51510GT   | CHOKE LINKAGE GS68.....<br><i>to SN 1580</i>                              | 1    |
| 7    | 139213GT  | RADIATOR HOSE, UPPER, DF972.....   | 1    | 33B  | 161715GT  | ASSY,WIRE ROPE, CHOKE, WG972.....<br><i>from SN 1581</i>                  | 1    |
| 8    | 235527GT  | CLAMP, UP. RAD. HOSE, WG972.....   | 2    |      |           |   |      |
| 9    | 84077GT   | GUARD-FAN,905,752 KUBOTA ENG.....  | 1    |      |           |   |      |
| 10A  | 139211GT  | RADIATOR ASSY, DF972.....  | 1    |      |           |   |      |
| --   | 131581GT  | HOSE,RAD.OVERFLOW,KD-1105,50".....   | 1    |      |           |   |      |
| --   | 87584GT   | CLAMP,HOSE,SELF TIGHT, 7/16.....<br><i>for 131581</i>                        | 2    |      |           |   |      |
| 10B  | 94532GT   | BOTTLE,COOLANT RECOVERY,1.4***.....  | 1    |      |           |   |      |
| --   | 115431GT  | CAP ASSY, COOLANT BOTTLE.....<br><i>for 94532</i>                            | 1    |      |           |   |      |
| 11   | 139215GT  | RADIATOR CAP, DF972.....   | 1    |      |           |   |      |
| 12   | 6356GT    | WASHER,LOCK,.25  |      |      |           |   |      |
| 13   | 6638GT    | WASHER,FLAT,USS,1/4"Y  |      |      |           |   |      |
| 14   | 233933GT  | SEAL, RUBBER STRAIGHT BULB, 15...2   |      |      |           |   |      |
| 15   | 139173GT  | SHROUD, RADIATOR.....  | 1    |      |           |   |      |
| 16   | 235528GT  | CLAMP, LWR. RAD. HOSE, WG972.....  | 2    |      |           |   |      |
| 17   | 235529GT  | SUPPORT, KIT RADIATOR, WG972.....  | 1    |      |           |   |      |
| 18   | 235530GT  | STAY, RADIATOR, WG972.....   | 1    |      |           |   |      |
| 19   | 6019GT    | SCREW,HHC,3/8-16 X 1.25 GRD 5.....   | 4    |      |           |   |      |
| 20   | 4828GT    | NUT,NYLOCK,3/8-16.....   | 4    |      |           |   |      |
| 21A  | 112871GT  | FORMING,RAD.MOUNT,D972.....<br><i>(to SN 3661) (Genie blue)</i>              | 1    |      |           |   |      |
| 21B  | 1254422GT | FORMING,RAD.MOUNT,KUB DF.....<br><i>(from SN 3662) (traffic black)</i>       | 1    |      |           |   |      |
| 22   | 235531GT  | NUT, RADIATOR 8MM, WG972   |      |      |           |   |      |
| 23A  | 148115GT  | FORMING, PULL HANDLE.....<br><i>(to SN 3661) (Genie blue)</i>                | 1    |      |           |   |      |
| 23B  | 1254139GT | FORMING, PULL HANDLE.....<br><i>(from SN 3662) (traffic black)</i>           | 11   |      |           |   |      |
| 24   | 228698GT  | SCREW,HHC,M10 X 1.25 X 35MM.....   | 2    |      |           |   |      |
| 25   | 22700GT   | WASHER,LOCK,M10.....   | 12   |      |           |   |      |

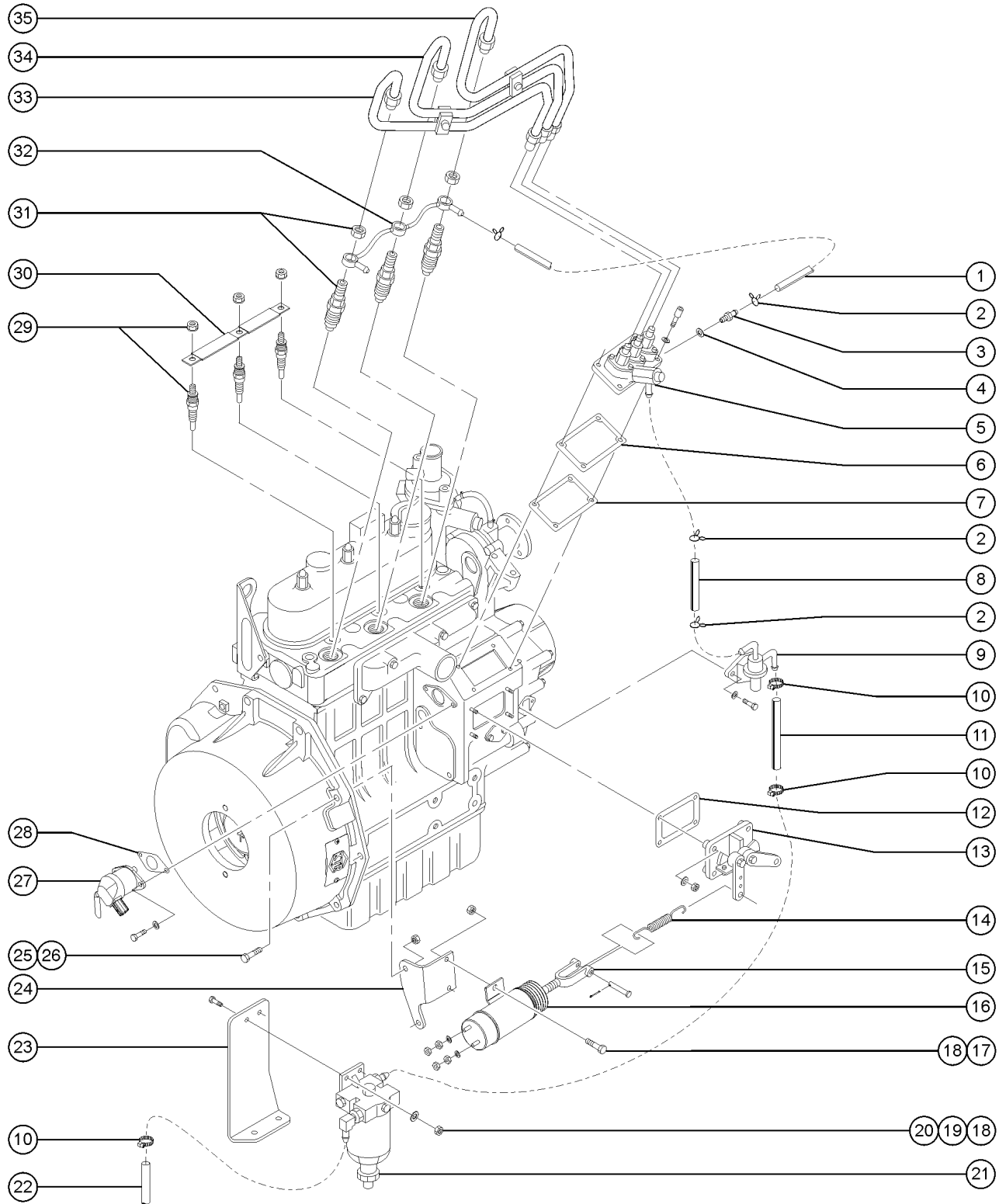
305.1 Kubota D-1105 Engine, View 1



## 305.1 Kubota D-1105 Engine, View 1

| Item | Part No. | Description   | Qty. | Item | Part No. | Description   | Qty. |
|------|----------|---|------|------|----------|---|------|
| --   | 139273GT | MANIFOLD, INLET   |      | 33   | 234844GT | HOSE,LOWER RADIATOR,DF752.....1                             |      |
| --   | 139280GT | OIL PAN   |      | 34   | 32185GT  | CLAMP,HOSE.....2  |      |
| --   | 139282GT | INNER OIL FILTER<br><i>(located inside oil pan)</i>                   |      | 35   | 116523GT | KUBOTA HOSE,D905, D1105.....1                               |      |
| --   | 22934GT  | SWITCH,OIL,PRESSURE,KUBOTA  |      | 36   | 839209GT | V-BELT,KUBOTA.....1   |      |
| --   | 52532GT  | PLUG,ENGINE OIL DRAIN,D-905***  |      | 37   | 231232GT | RAD. FAN,7-BLADE,D-1105.....1                               |      |
| --   | 52533GT  | GASKET (52532) OIL DRAIN, D905  |      | 38   | 52531GT  | PULLEY,FAN,KUBOTA, D-905,GS68.....1                         |      |
| --   |          | <i>for internal engine components, contact engine dealer</i>          |      | --   | 101200GT | FAN DRIVE PULLEY,KUBOTA                                     |      |
| 1    | 139279GT | THERMOSTAT COVER.....1  |      | 38A  | 231929GT | COLLAR, 7 BLADE FAN, D1105.....1                            |      |
| 2    | 22903GT  | O-RING,OIL FILLER PLUG,KUBOTA* .....1                                 |      | 39   | 101201GT | WATER PUMP ASSY,KUBOTA.....1                                |      |
| 3    | 839151GT | KUBOTA OIL FILLER PLUG,V1305.....1                                    |      | 40   | 32199GT  | GASKET,WATER PUMP.....1                                     |      |
| 4    | 44191GT  | VALVE COVER, D905.....1   |      | 41   | 32069GT  | CLAMP,HOSE,KUBOTA WG750.....2                               |      |
| 5    | 44193GT  | NUT,VALVE COVER CAP, D905.....3                                       |      | 42   | 32200GT  | HOSE,WATER PUMP RETURN,D905....1                            |      |
| 6    | 44192GT  | GASKET,VALVE COVER CAP, D905.....3                                    |      | 43   | 28092GT  | GASKET,THERMOSTAT-28091.....1                               |      |
| 7    | 32189GT  | GASKET,VALVE COVER,KUBOTA<br>D905.....1                               |      | 44   | 139278GT | THERMOSTAT.....1  |      |
| 8    | 65837GT  | STARTER,KUBOTA D905 VERS 2*** .....1                                  |      | 45   | 162455GT | PLUG PLUGENGINEOIL,D1105 BTM.....1<br><i>(from SN 2312)</i> |      |
| --   | 32194GT  | SOLENOID,32193 STARTER,D905   |      | 46   | 162456GT | GSKT, PLUENGINEOIL,D1105 BTM.....1<br><i>(from SN 2312)</i> |      |
| 9    | 131378GT | MUFFLER ASSEMBLY.....1  |      |      |          |   |      |
| 10   | 62160GT  | CLAMP,TAILPIPE, 1 1/2*** .....1<br><i>Includes mounting fasteners</i> |      |      |          |   |      |
| 11   | 131945GT | TAILPIPE,DIESEL,GS69.....1  |      |      |          |   |      |
| 12   | 148416GT | TAILPIPE,EXTENSION,UNIV.....1   |      |      |          |   |      |
| 13   | 25929GT  | SCREW,HHC,M8 X 30MM,GRD 8.8.....4                                     |      |      |          |   |      |
| 14   | 49408GT  | WASHER,LOCK,M8.....4  |      |      |          |   |      |
| 15   | 228974GT | TAILPIPE,END,UNIV.....1   |      |      |          |   |      |
| 16   | 832128GT | GASKET,MUFFLER,KUBOTA<br>D905/11.....1                                |      |      |          |   |      |
| 17   | 32191GT  | GASKET,EXHAUST MANIFOLD,D905....1                                     |      |      |          |   |      |
| 18   | 32192GT  | MANIFOLD, EXHAUST, KUBOTA.....1                                       |      |      |          |   |      |
| 19   | 101209GT | NUT,EXHAUST MANIFOLD.....6  |      |      |          |   |      |
| 20   | 101208GT | STUD,EXHAUST MANIFOLD.....6   |      |      |          |   |      |
| 21   | 54332GT  | SWITCH,WATER TEMP.....1   |      |      |          |   |      |
| 22   | 32077GT  | PETCOCK,DRAIN,KUBOTA WG750B....1                                      |      |      |          |   |      |
| 23   | 231231GT | STAY,ALTERNATOR,D-1105.....1  |      |      |          |   |      |
| 24   | 101203GT | ALTERNATOR,40 AMP,INT REG.....1                                       |      |      |          |   |      |
| 25   | 148099GT | COVER,V-BELT,D1105,KUBOTA.....1                                       |      |      |          |   |      |
| 26   | 30973GT  | BUMPER,RUBBER-1 X 1.25.....1  |      |      |          |   |      |
| 27   | 116503GT | BUSHING, 630DX.328ID .375T.....1                                      |      |      |          |   |      |
| 28   | 6002GT   | NUT,LP NYLOCK,5/16-18.....1   |      |      |          |   |      |
| 29   | 22934GT  | SWITCH,OIL,PRESSURE,KUBOTA.....1                                      |      |      |          |   |      |
| 30   | 866050GT | FILTER,OIL,KUBOTA.....1   |      |      |          |   |      |
| 31   | 234842GT | PLUG, ENGINE OIL, D1105.....1   |      |      |          |   |      |
| 32   | 234843GT | GASKET (52532) OIL DRAIN, D905.....1                                  |      |      |          |   |      |

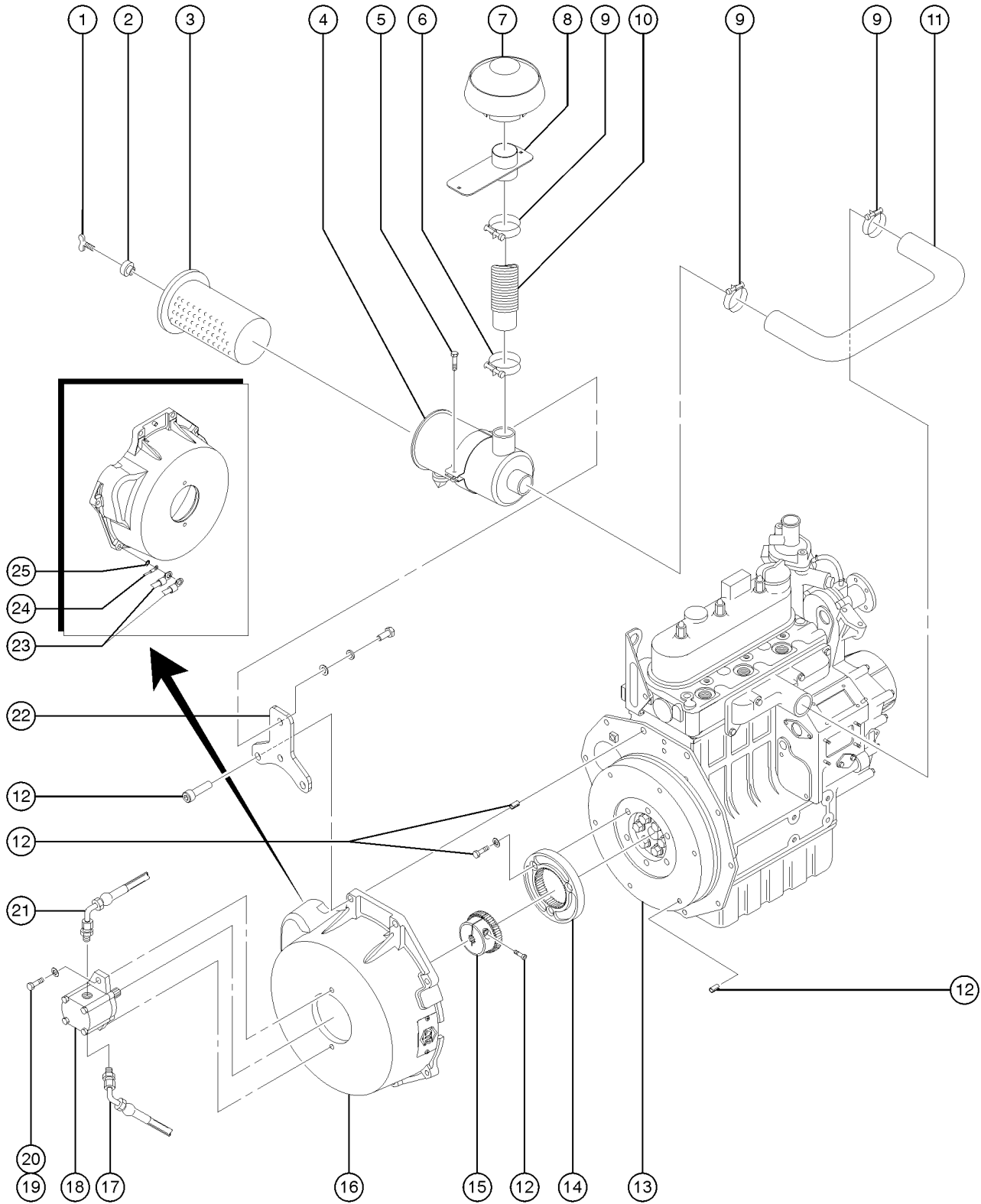
306.1 Kubota D-1105 Engine, View 2



## 306.1 Kubota D-1105 Engine, View 2

| Item | Part No.  | Description  | Qty. | Item | Part No. | Description  | Qty. |
|------|-----------|--|------|------|----------|--|------|
| --   |           | <i>for internal engine components, contact engine dealer</i>             |      | 32   | 62117GT  | PIPE ASSY-OVERFLOW-D905.....                                     | 1    |
| 1    | 35418GT   | HOSE,FUEL,3/16,SAE 30R7.....3-inches injector pump to injector pipe assy |      | 32A  | 35418GT  | HOSE,FUEL,3/16,SAE 30R7.....89-inches injector pipe assy to tank |      |
| 2    | 52834GT   | CLAMP-HOSE, .375, FUEL PUMP.....   | 3    | 33   | 44196GT  | PIPE,INJECTOR 1,D905,D1105.....                                  | 1    |
| 3    | 62119GT   | SCREW-AIR BREATHER, D905   |      | 34   | 44197GT  | PIPE,INJECTOR 2,D905,D1105.....                                  | 1    |
| 4    | 44181GT   | GASKET,VALVE COVER CAP, WG750.....                                       | 1    | 35   | 44198GT  | PIPE,INJECTOR 3,D905,D1105.....                                  | 1    |
| 5    | 839149GT  | KUBOTA INJECTOR PUMP, D1105.....   | 1    |      |          |  |      |
| 6    | 32103GT   | GASKET,INJECTION PUMP.....   | 1    |      |          |  |      |
| 7    | 32182GT   | GASKET,INJECTION PUMP.....   | 1    |      |          |  |      |
| 8    | 236007GT  | HOSE, FUEL PUMP TO INJ, D1105..... lift pump to injector pump            | 1    |      |          |  |      |
| 9    | 866070GT  | FUEL PUMP, MECHANICAL.....   | 1    |      |          |  |      |
| --   | 839233GT  | KUBOTA FUEL PUMP GASKET.....   | 1    |      |          |  |      |
| 10   | 87584GT   | CLAMP,HOSE,SELF TIGHT, 7/16.....   | 5    |      |          |  |      |
| 11   | 27089GT   | HOSE,5/16 FUEL,SAE 30R7.....18-inches fuel/water separator to lift pump  |      |      |          |  |      |
| 12   | 44202GT   | GASKET,SPEED CONTROL ASSY,D905.....                                      | 1    |      |          |  |      |
| 13   | 234867GT  | SPEED CONTROL ASSY.....  | 1    |      |          |  |      |
| --   | 44201GT   | SPRING,RETURN,SPEED CONTR,D905   |      |      |          |  |      |
| 14   | 31379GT   | SPRING,TENSION-1.25 X.438 DIA.....                                       | 1    |      |          |  |      |
| 15   | 21130GT   | CLEVIS YOKE-1/4-28,PLTD W/PIN.....                                       | 1    |      |          |  |      |
| 16   | 51745GT   | SOLENOID,1"STRKE,12V,SYNCR*** .....                                      | 1    |      |          |  |      |
| 17   | 6090GT    | SCREW,HHC,1/4-20 X .75   |      |      |          |  |      |
| 18   | 6091GT    | NUT,NYLOCK,1/4-20  |      |      |          |  |      |
| 19   | 6888GT    | SCREW,HHC,1/4-20 X 1   |      |      |          |  |      |
| 20   | 6638GT    | WASHER,FLAT,USS,1/4"Y  |      |      |          |  |      |
| 21   | 56949GT   | FILTER/SEPARATOR,FUEL DIESEL**.....                                      | 1    |      |          |  |      |
| --   | 65853GT   | FILTER,FUEL/WATER SEPARATOR***   |      |      |          |  |      |
| 22   | 27089GT   | HOSE,5/16 FUEL,SAE 30R7.....89-inches fuel tank to fuel/water separator  |      |      |          |  |      |
| 23   |           | Ref. Fuel Filter MNT..... (refer to 308.1)                               | 1    |      |          |  |      |
| 24A  | 148055GT  | FORMING,SOLENOID MNT,D-1105..... (to SN 3661) (Genie blue)               | 1    |      |          |  |      |
| 24B  | 1254113GT | FORMING,SOLENOID MNT,KD..... (from SN 3662) (traffic black)              | 1    |      |          |  |      |
| 25   | 61741GT   | SCREW,HHC,5/16-18 X 1.50   |      |      |          |  |      |
| 26   | 6782GT    | NUT,NYLOCK,5/16-18   |      |      |          |  |      |
| 27   | 99199GT   | SOLENOID,KUBOTA D9/1105 SHTDWN.....                                      | 1    |      |          |  |      |
| 28   | 866040GT  | GASKET,SOLENOID,KUBOTA.....  | 1    |      |          |  |      |
| 29   | 839119GT  | KUBOTA GLOW PLUG.....  | 3    |      |          |  |      |
| 30   | 62118GT   | JUMPER-GLOW PLUG.....  | 1    |      |          |  |      |
| 31   | 62116GT   | INJECTOR,FUEL,D905**.....  | 3    |      |          |  |      |

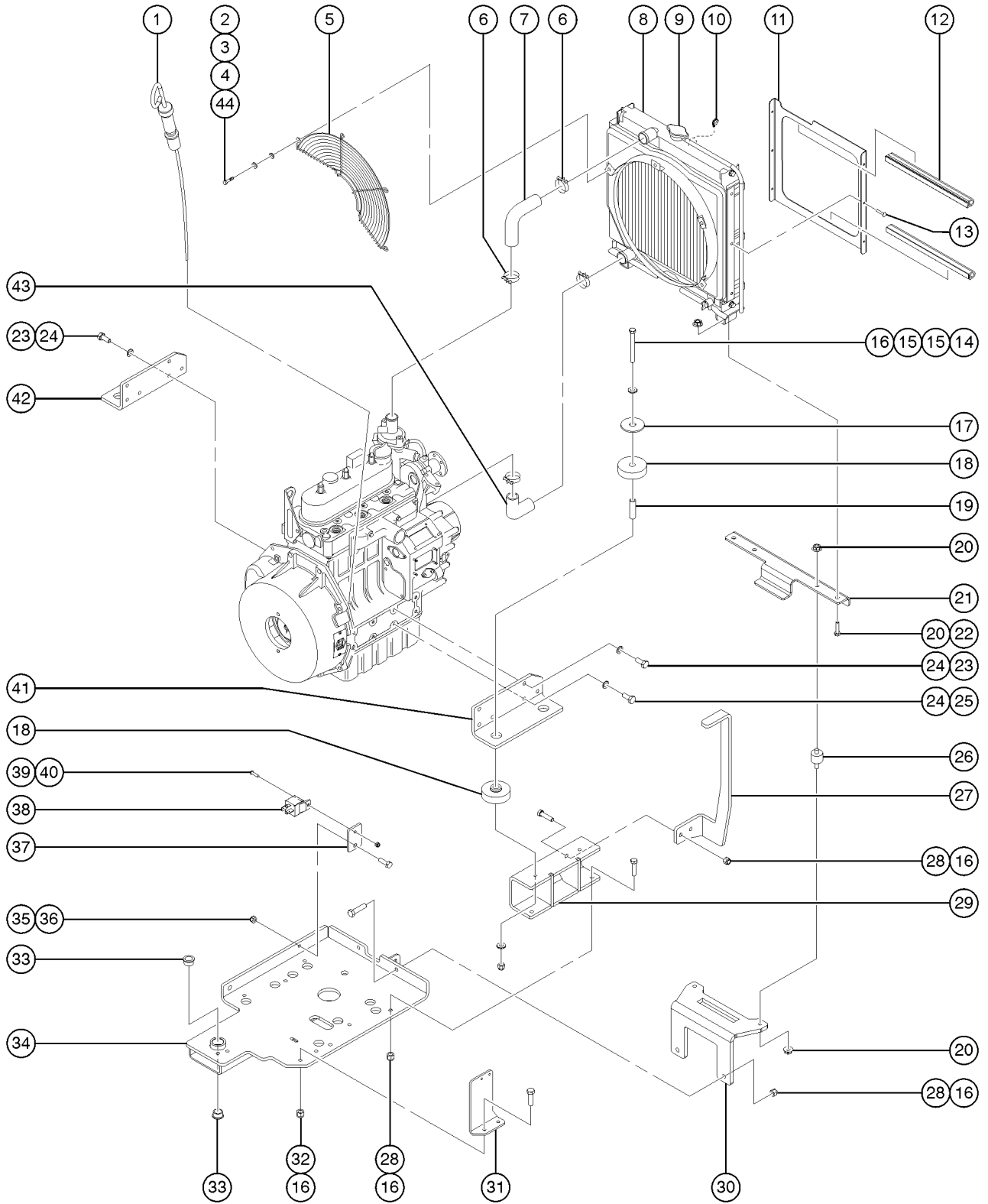
307.1 Kubota D-1105 Engine, View 3



## 307.1 Kubota D-1105 Engine, View 3

| Item | Part No.  | Description  | Qty. | Item | Part No. | Description                                 | Qty. |
|------|-----------|--|------|------|----------|---|------|
| --   | 139273GT  | MANIFOLD, INLET  |      | 23   |          | Ref., HARNESS,BATTERY<br>(refer to 408.1)   |      |
| --   |           | <i>for internal engine components, contact engine dealer</i>       |      | 24   |          | Ref., HARNESS,ENGINE<br>(refer to 408.1)    |      |
| 1    | 44203GT   | BOLT,WING,FILTER ELEMENT, D905....1                                |      | 25   | 6700GT   | WASHER,STAR,EXTERNAL,,375<br>(from SN 2312) |      |
| 2    | 44204GT   | WASHER ASSY,FILTER<br>ELEMNT,D905.....1                            |      |      |          |   |      |
| 3    | 236095GT  | FILTER,AIR,D1105.....1   |      |      |          |   |      |
| 4    | 101202GT  | AIR CLEANER ASSY.....1<br><i>includes items 1-5</i>                |      |      |          |   |      |
| 5    | 101204GT  | AIR CLEANER STAY.....1   |      |      |          |   |      |
| 5    | 62296GT   | SCREW,M8 X 35MM.....1  |      |      |          |   |      |
| 6    | 45435GT   | CLAMP,HOSE,2.50"*** .....1   |      |      |          |   |      |
| 7    | 52420GT   | CAP,RAIN,AIR CLEANER, GS68RT** .....1                              |      |      |          |   |      |
| 8A   | 99097GT   | WELDMNT,RAIN CAP MNT,<br>KUBOTA.....1<br>(to SN 3661) (Genie blue) |      |      |          |   |      |
| 8B   | 1254107GT | WELDMNT,RAIN CAP MNT, KUB.....1<br>(from SN 3662) (traffic black)  |      |      |          |   |      |
| 9    | 22672GT   | CLAMP,HOSE,1.75.....3  |      |      |          |   |      |
| 10   | 131372GT  | HOSE,1.75ID,2.50IDX12.0".....1                                     |      |      |          |   |      |
| 11   | 43700GT   | PIPE,INLET, D905.....1   |      |      |          |   |      |
| 12A  | 104367GT  | HARDWARE KIT, BELLHSING<br>KUBOTA.....1<br>(for SN 101 to 2311)    |      |      |          |   |      |
| 12B  | 162463GT  | HRDWKIT,BELLHSING,KD-1105,GRDN.1<br>(from SN 2312)                 |      |      |          |   |      |
| 13   | 139274GT  | COMP. FLYWHEEL.....1   |      |      |          |   |      |
| --   | 99882GT   | BOLT,FLYWHEEL,KUBOTA D905  |      |      |          |   |      |
| 14   | 94688GT   | ADAPTER, FLANGE GEAR, 3 HOLE....1                                  |      |      |          |   |      |
| 15   | 1268809GT | COUPLER, SPLINED,9 TOOTH,<br>30MM.....1                            |      |      |          |   |      |
| 16A  | 131484GT  | BELLHOUSING, KD-1105, A-PILOT.....1<br>(for SN 101 to 2311)        |      |      |          |   |      |
| 16B  | 161695GT  | KIT,HOUSING,COUPLER,APILOT,GDN<br>(from SN 2312)                   |      |      |          |   |      |
| 17   | 227475GT  | HOSE ASSY,SUCT(TANK)-IN(PUMP)....1                                 |      |      |          |   |      |
| 18   | 1270697GT | PUMP, GEAR, 16CC/REV.....1   |      |      |          |   |      |
| --   | 1273258GT | SEAL KIT,CASAPPA<br><i>for pump 1270697</i>                        |      |      |          |   |      |
| --   | 85197GT   | SEAL KIT,BOSCH PUMP***<br><i>for pump 87918</i>                    |      |      |          |   |      |
| 19   | 6019GT    | SCREW,HHC,3/8-16 X 1.25 GRD 5                                      |      |      |          |   |      |
| 20   | 6021GT    | WASHER,LOCK,,375   |      |      |          |   |      |
| 21   | 227476GT  | HOSE ASSY,OUT(PUMP)-HP FILTER....1                                 |      |      |          |   |      |
| 22A  | 74544GT   | BRKT. AIR CLEANER MOUNT.....1<br>(to SN 3661) (Genie blue)         |      |      |          |   |      |
| 22B  | 1254425GT | BRKT. AIR CLEANER MOUNT.....1<br>(from SN 3662) (traffic black)    |      |      |          |   |      |

308.1 Kubota D-1105 Engine, View 4

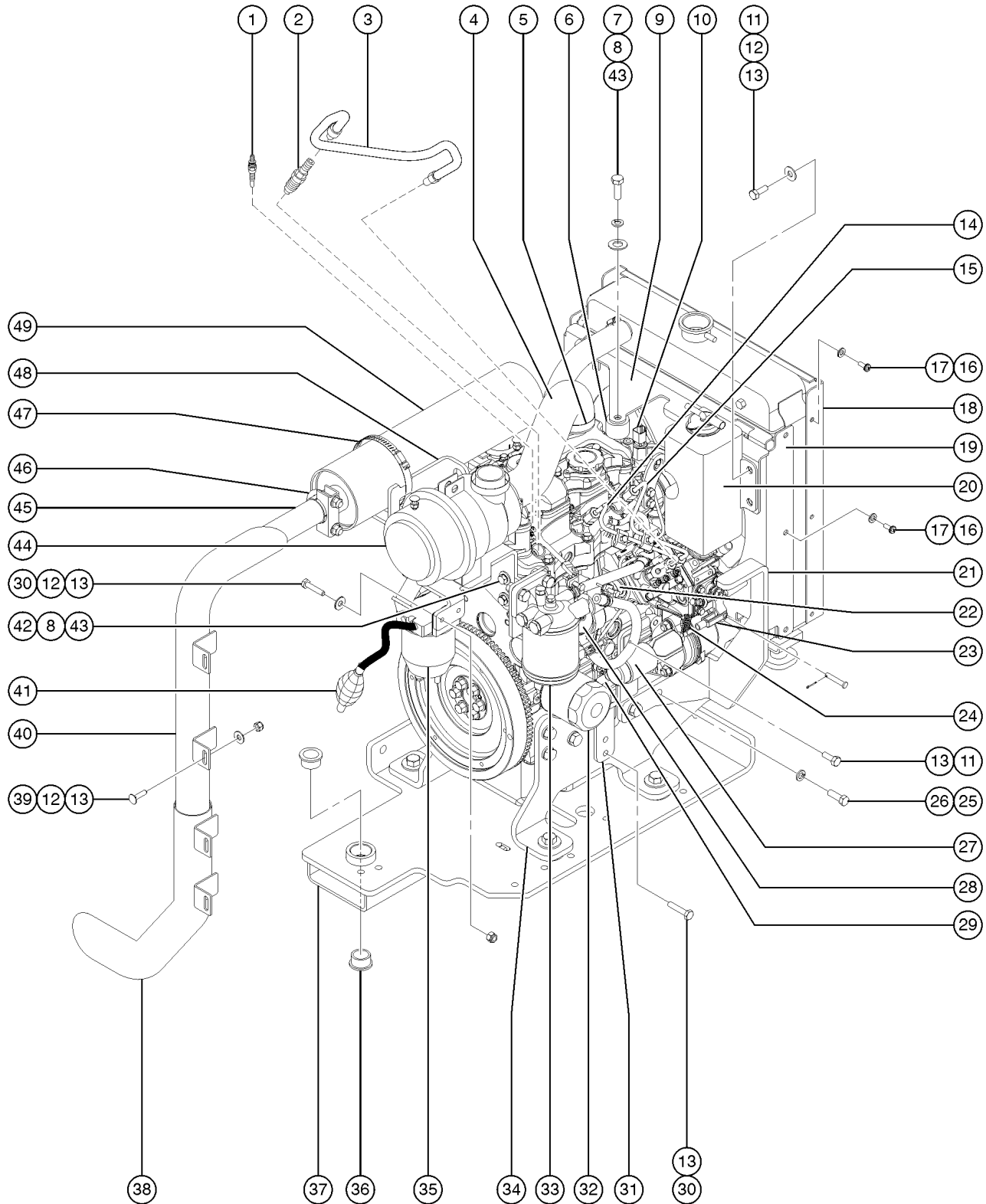




## 308.1 Kubota D-1105 Engine, View 4

| Item | Part No.  | Description  | Qty. | Item | Part No.  | Description   | Qty. |
|------|-----------|--|------|------|-----------|---|------|
| --   |           | <i>for internal engine components, contact engine dealer</i>           |      | 30A  | 227925GT  | FORMING,RADIATOR MOUNT,D1105....1<br><i>(to SN 3661) (Genie blue)</i>       |      |
| --   | 139277GT  | COMP. WATER FLANGE.....  | 1    | 30B  | 1254110GT | FORMING, RADIATOR MOUNT,KD<br><i>(from SN 3662) (traffic black)</i>         |      |
| 1    | 231226GT  | DIPSTICK,D-1105.....   | 1    | 31A  | 148054GT  | FORMING,FUEL FILTER MNT,D-1105....1<br><i>(to SN 3661) (Genie blue)</i>     |      |
| --   | 231227GT  | DIPSTICK GUIDE,D-1105  |      | 31B  | 1254114GT | FORMING,FUEL FILTER MNT,KD<br><i>(from SN 3662 to 9155) (traffic black)</i> |      |
| 2    | 234845GT  | BOLT, FAN COVER, D1105   |      | 31C  | 1270142GT | FORMING, FUEL FILTER MOUNT, KD<br><i>(from 9156) (traffic black)</i>        |      |
| 3    | 234846GT  | WASHER, FAN COVER, D1105   |      | 32   | 6019GT    | SCREW,HHC,3/8-16 X 1.25 GRD 5   |      |
| 4    | 234847GT  | WASHER, LOCK, FAN COVER, D1105   |      | 33   | 131813GT  | BEARING,BRZ,FL,1.0IDX1.25OD.....2   |      |
| 5    | 131373GT  | COVER, FAN.....  | 1    | 34   |           | Ref: Engine Swing Tray Weldment.....1<br><i>(refer to 402.1)</i>            |      |
| 6    | 32185GT   | CLAMP,HOSE.....  | 4    | 35   | 6782GT    | NUT,NYLOCK,5/16-18  |      |
| 7    | 32205GT   | HOSE,UPPR RADIATOR,KUBOTA D905.....                                    | 1    | 36   | 13022GT   | SCREW,HHC,5/16-18 X 1 INCH  |      |
| 8    | 112531GT  | RADIATOR ASSY,ALUM.D-905.....  | 1    | 37A  | 227872GT  | PLATE,GLOWPLUG,RELAY MT,D1105.....1<br><i>(to SN 3661) (Genie blue)</i>     |      |
| --   | 115431GT  | CAP ASSY, COOLANT BOTTLE<br><i>for 94532</i>                           |      | 37B  | 1254111GT | PLATE,GLWPLUG,RELAY MT,KD<br><i>(from SN 3662) (traffic black)</i>          |      |
| --   | 131581GT  | HOSE,RAD.OVERFLOW,KD-1105,50"  |      | 38   | 61225GT   | RELAY,12VDC,70AMP,SEALED.....1  |      |
| --   | 94532GT   | BOTTLE,COOLANT RECOVERY,1.4***   |      | 39   | 6606GT    | SCREW,RHM,10-32 X .75   |      |
| 9    | 23061GT   | CAP,RADIATOR,13 PSI.....   | 1    | 40   | 6178GT    | NUT,NYLOCK,10-32  |      |
| 10   | 45454GT   | CLAMP,RUB CUSH,0.75,#12 X 3/8*.....                                    | 1    | 41A  | 148053GT  | FORMING, ENGINE MNT, RT, D1105....1<br><i>(to SN 3661) (Genie blue)</i>     |      |
| 11   | 128328GT  | BRKT, BAFFLE, RADIATOR.....  | 1    | 41B  | 1254115GT | FORMING, ENGINE MNT, RT, KD<br><i>(from SN 3662) (traffic black)</i>        |      |
| 12   | 233822GT  | SEAL, RUBBER 90D BULB, 15IN.....                                       | 2    | 42A  | 148052GT  | FORMING, ENGINE MNT, LFT, D-11.....1<br><i>(to SN 3661) (Genie blue)</i>    |      |
| 13   | 51738GT   | SCREW,RHM,M6 X 12MM  |      | 42B  | 1254116GT | FORMING, ENGINE MNT, LFT, KD<br><i>(from SN 3662) (traffic black)</i>       |      |
| 14   | 6605GT    | SCREW,HHC,3/8-16 X 3.5,GR5   |      | 43   | 131427GT  | HOSE,RADIATOR,LOWER,D905.....   | 1    |
| 15   | 5397GT    | WASHER,FLAT,USS,5/16",Y  |      | 44   | 234848GT  | NUT, FAN COVER, D1105   |      |
| 16   | 4828GT    | NUT,NYLOCK,3/8-16  |      |      |           |   |      |
| 17   | 33418GT   | WASHER,FLAT,.625 X 2.25 X.15   |      |      |           |   |      |
| 18   | 24037GT   | SHOCK MOUNT,LARGE**.....   | 4    |      |           |   |      |
| 19   | 139230GT  | SPACER, SHOCK MOUNT  |      |      |           |   |      |
| 20   | 18503GT   | NUT,LOCKING-LG.FLANGE,5/16-18  |      |      |           |   |      |
| 21A  | 231574GT  | MOUNT, RADIATOR, D1105.....1<br><i>(to SN 3661) (Genie blue)</i>       |      |      |           |   |      |
| 21B  | 1254424GT | FORMING, RAD SUPPORT, KD<br><i>(from SN 3662) (traffic black)</i>      |      |      |           |   |      |
| 22   | 13000GT   | SCREW,HHC,5/16-18 X 1.25   |      |      |           |   |      |
| 23   | 22676GT   | SCREW,HHC,M10 X 1.25 X 30MM**  |      |      |           |   |      |
| 24   | 22700GT   | WASHER,LOCK,M10  |      |      |           |   |      |
| 25   | 228698GT  | SCREW,HHC,M10 X 1.25 X 35MM  |      |      |           |   |      |
| 26   | 219437GT  | ISOLATOR, VIBRATION.....   | 2    |      |           |   |      |
| 27A  | 230477GT  | FORMING, ENGINE HANDLE, D1105....1<br><i>(to SN 3661) (Genie blue)</i> |      |      |           |   |      |
| 27B  | 1254108GT | FORMING, PULL HANDLE, KD<br><i>(from SN 3662) (traffic black)</i>      |      |      |           |   |      |
| 28   | 8516GT    | SCREW, HCC, 3/8-16 X 1.50  |      |      |           |   |      |
| 29A  | 230473GT  | WELDMENT, RISE BRKT, D1105.....2<br><i>(to SN 3661) (Genie blue)</i>   |      |      |           |   |      |
| 29B  | 1254109GT | WELDMENT, RISE BRKT, KD<br><i>(from SN 3662) (traffic black)</i>       |      |      |           |   |      |

309.1 Perkins 403D-11 Engine, View 1



## 309.1 Perkins 403D-11 Engine, View 1

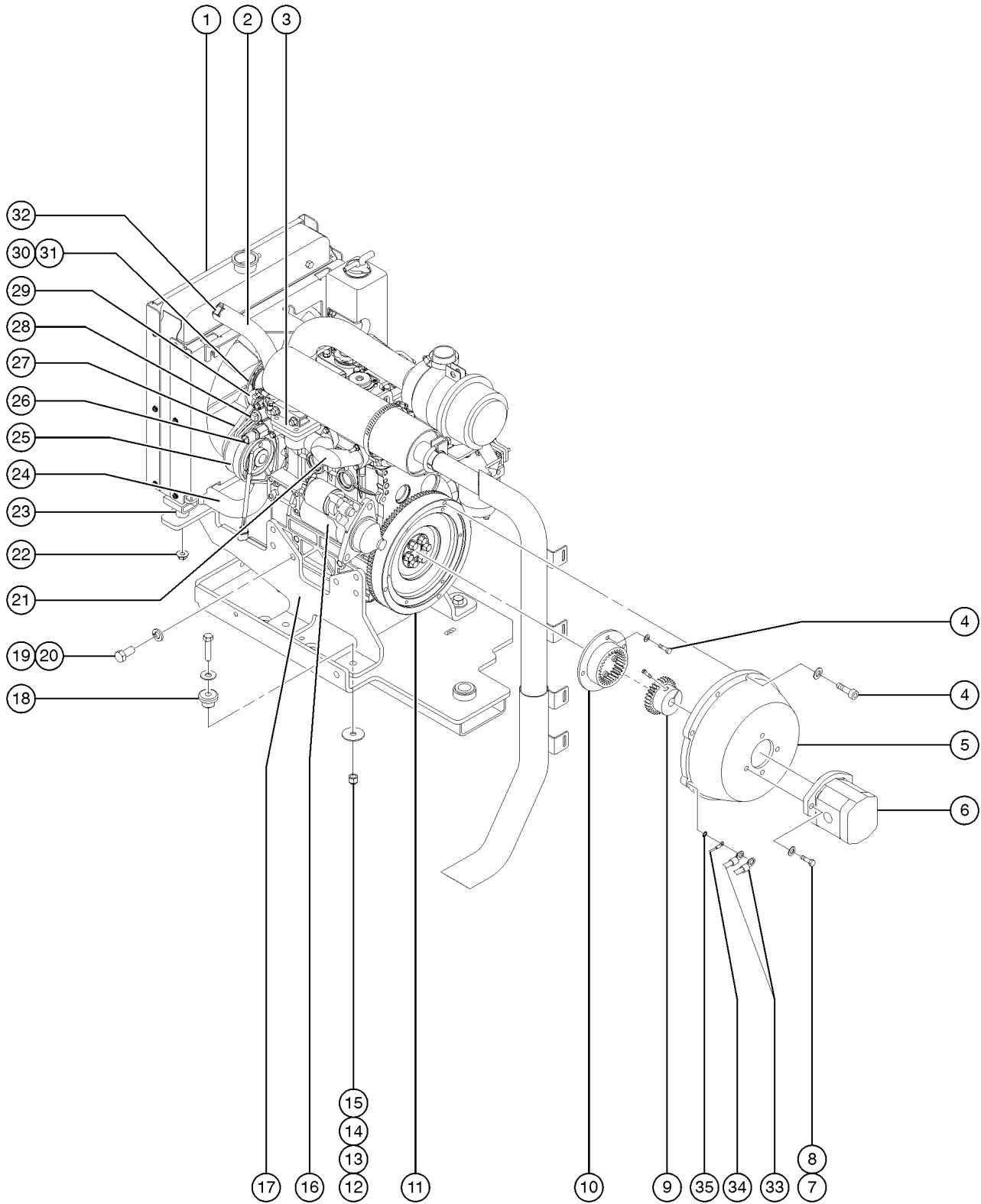
| Item | Part No.  | Description  | Qty. | Item | Part No.  | Description  | Qty. |
|------|-----------|--|------|------|-----------|--|------|
| A    | 139251GT  | ENGINE KIT,PERKINS 403D, T41   |      | 22   | 236426GT  | SOLENOID KIT,SHUT DN,PERKINS.....1   |      |
| B    | 1274301GT | KIT, AIR INTAKE HOSE, PERKINS, RT69  |      | 23   | 21130GT   | CLEVIS YOKE-1/4-28,PLTD W/PIN.....1  |      |
| --   |           | <i>for internal engine components, contact engine dealer</i>   |      | 24   | 31379GT   | SPRING,TENSION-1.25 X.438 DIA.....1  |      |
| 1    | 139270GT  | GLOW PLUGS.....3   |      | 25   | 75175GT   | SCREW,HHC,M12X<br>1.25X36MM,GR8.8.....2  |      |
| 2    | 139272GT  | FUEL INJECTOR.....3  |      | 26   | 6033GT    | WASHER,LOCK,0.5".....6   |      |
| 3    | 84814GT   | PIPE,INJECTOR 3, 403C-11.....1   |      | 27   | 77402GT   | SOLENOID,THROTTLE ACTUATOR<br>DSL.....1  |      |
| 4    | 94244GT   | HOSE,AIR INTAKE,PERKINS.....1  |      | 28   | 139267GT  | LIFT PUMP (FUEL).....1   |      |
| 5    | 35434GT   | CLAMP,HOSE,2.00***.....3   |      | 29   | 101320GT  | DIPSTICK,STRAIGHT SHORT.....1  |      |
| 6    | 60585GT   | ISOLATOR,VIBRATION,M8<br>MALE/FEM.....1  |      | --   | 54556GT   | DIPSTICK TUBE,PERKINS 104-22**   |      |
| 7    | 49379GT   | SCREW,HHC,M8 X 1.25 X 25.....1   |      | 30   | 8915GT    | SCREW,HHC,1/4-20 X 1.25.....4  |      |
| 8    | 6886GT    | WASHER,LOCK,.313.....3   |      | 31A  | 131656GT  | FORMING,SOLENOID<br>MNT,PRK,403D.....1<br><i>(to SN 3661) (Genie blue)</i>                 |      |
| 9A   | 112640GT  | FORMING,UPPER RAD.SUPPORT.....1<br><i>(to SN 3661) (Genie blue)</i>  |      | 31B  | 1254117GT | FORMING,SOLENOID MNT,PD.....1<br><i>(from SN 3662) (traffic black)</i>                     |      |
| 9B   | 1254132GT | FORMING,UPPER RAD.SUPPORT.....1<br><i>(from SN 3662) (traffic black)</i>   |      | 32   | 94762GT   | OIL FILTER - PERKINS.....1   |      |
| 10   | 119809GT  | SWITCH, OIL PRESSURE.....1<br><i>Old switch design was used with an adaptor; New switch screws directly into engine block. With older engine, remove adaptor and install new switch directly into engine block</i> |      | 33   | 94889GT   | FUEL FILTER ASSEMBLY.....1   |      |
| 11   | 6090GT    | SCREW,HHC,1/4-20 X .75.....5   |      | --   | 62421GT   | FILTER,FUEL,PERKINS  |      |
| 12   | 6638GT    | WASHER,FLAT,USS,1/4"Y.....9  |      | 34A  | 148035GT  | FORMING,ENG MNT RT,PRK 403D.....1<br><i>(to SN 3661) (Genie blue)</i>                      |      |
| 13   | 6091GT    | NUT,NYLOCK,1/4-20.....14   |      | 34B  | 1254135GT | FORMING,ENG MNT RT,PD.....1<br><i>(from SN 3662) (traffic black)</i>                       |      |
| 14   | 84813GT   | PIPE,INJECTOR 2, 403C-11.....1   |      | 35   | 56949GT   | FILTER/SEPARATOR,FUEL DIESEL**.....1   |      |
| 15   | 84812GT   | PIPE,INJECTOR 1, 403C-11.....1   |      | --   | 42767GT   | SEPARATOR/FILTER ELEMENT,FUEL*   |      |
| 16   | 21019GT   | SCREW,PHIL,PHM,10-24 X.5,SEMS.....12   |      | 36   | 131813GT  | BEARING,BRZ,FL,1.0IDX1.25OD.....2  |      |
| 17   | 25926GT   | WASHER,FLAT,M6 PLTD.....12   |      | 37   |           | Ref: Engine Swing Tray Weldment.....1<br><i>(refer to 402.1)</i>                           |      |
| 18A  | 148390GT  | FORMING,RADIATOR SHROUD,403D...1<br><i>(to SN 3661) (Genie blue)</i>   |      | 38   | 228974GT  | TAILPIPE,END,UNIV.....1  |      |
| --   | 233822GT  | SEAL, RUBBER 90D BULB, 15IN.....2  |      | 39   | 79456GT   | BOLT,CARRIAGE,1/4-20 X 1.00,G2.....4   |      |
| 18B  | 1254129GT | FORMING,RADIATOR SHROUD,PD.....1<br><i>(from SN 3662) (traffic black)</i>  |      | 40   | 148416GT  | TAILPIPE,EXTENSION,UNIV.....1  |      |
| --   | 233822GT  | SEAL, RUBBER 90D BULB, 15IN.....2  |      | 41   | 85155GT   | PUMP,PRIMER,PERKINS***.....1   |      |
| 19A  | 112639GT  | FORMING,RAD.SHROUD,PERKINS.....1<br><i>(to SN 3661) (Genie blue)</i>   |      | 41A  | 21465GT   | CLAMP,HOSE,.25" - .63" X .3125<br><i>sold separately</i>                                   |      |
| 19B  | 1254133GT | FORMING,RAD.SHROUD,PERKINS.....1<br><i>(from SN 3662) (traffic black)</i>  |      | 41A  | 233948GT  | HOSE, FUEL 5/16",2"LG.....1<br><i>primer bulb to fuel/water separator</i>                  |      |
| 20   | 94532GT   | BOTTLE,COOLANT<br>RECOVERY,1.4***.....1  |      | 41A  | 233949GT  | HOSE, FUEL 5/16",89"LG.....1<br><i>fuel tank to primer bulb</i>                            |      |
| --   | 115431GT  | CAP ASSY, COOLANT BOTTLE.....1   |      | 41A  | 236045GT  | HOSE, FUEL PUMP TO FILTER, 403D...1<br><i>lift pump to fuel filter</i>                     |      |
| 20A  | 131581GT  | HOSE,RAD.OVERFLOW,KD-1105,50"  |      | 41A  | 236046GT  | HOSE, FUEL FILTER -INJ., 403D.....1<br><i>fuel filter to injector pump</i>                 |      |
| 21A  | 148399GT  | FORMING,PULL HANDLE,PERKINS.....1<br><i>(to SN 3661) (Genie blue)</i>  |      | 41A  | 35418GT   | HOSE,FUEL,3/16,SAE 30R7.....72-inches<br><i>injector nozzle to tank</i>                    |      |
| 21B  | 1254131GT | FORMING,PULL HANDLE,PERKINS.....1<br><i>(from SN 3662) (traffic black)</i>   |      | 41A  | 71909GT   | HOSE,FUEL,5/16 HIGH<br>PRESSURE**.....8-inches<br><i>fuel/water separator to lift pump</i> |      |

309.1 Perkins 403D-11 Engine, View 1  
(continued)

| Item | Part No. | Description                               | Qty. |
|------|----------|---|------|
| 42   | 25929GT  | SCREW,HHC,M8 X 30MM,GRD 8.8.....2         |      |
| 43   | 5397GT   | WASHER,FLAT,USS,5/16",Y                   |      |
| 44   | 119684GT | AIRCLEANER ASSEMBLY.....1                 |      |
| --   | 119685GT | BRACKET, AIRCLEANER MT.                   |      |
| --   | 52867GT  | FILTER,AIR***                             |      |
| 45   | 148109GT | TAILPIPE,403D-11,GS69.....1               |      |
| 46   | 62160GT  | CLAMP,TAILPIPE, 1 1/2"***.....2           |      |
| 47   | 34955GT  | CLAMP,HOSE,5.00.....1                     |      |
| 48   | 229668GT | FORMING, AIR CLNR MNT,PRK 403D<br>P.....1 |      |
| 49   | 94239GT  | MUFFLER,RND,TYPE 5,4.57 DIA.....1         |      |

*This Page Intentionally Left Blank*

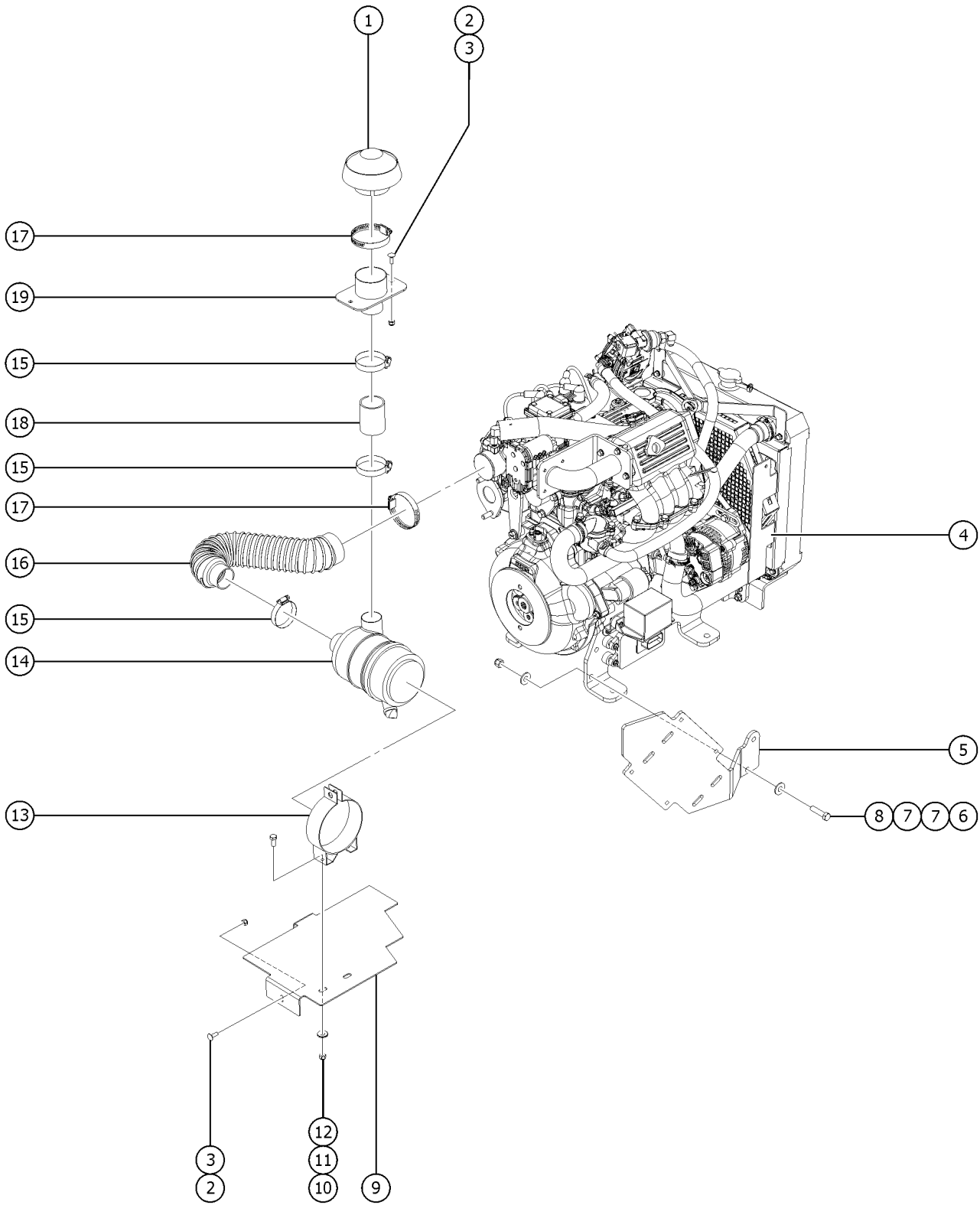
310.1 Perkins 403D-11 Engine, View 2



## 310.1 Perkins 403D-11 Engine, View 2

| Item | Part No.  | Description  | Qty. | Item | Part No. | Description   | Qty. |
|------|-----------|--|------|------|----------|---|------|
| --   |           | <i>for internal engine components, contact engine dealer</i>   |      | --   | 131665GT | STUDS,EXHAUST                                       |      |
| 1    | 94232GT   | RADIATOR.....  | 1    | --   | 72343GT  | GASKET,EXH FLANGE-FORD/PERKINS                      |      |
| --   | 1254823GT | CAP,RADIATOR,PERKINS(94232).....   | 1    | --   | 85143GT  | GASKET-EXHAUST MANIFOLD/PERKIN                      |      |
| 2    | 94242GT   | HOSE,RADIATOR,UPPER PERKINS.....   | 1    | 22   | 18503GT  | NUT,LOCKING-LG.FLANGE,5/16-18.....                  | 2    |
| 3    | 94240GT   | WELDMENT,HEAD PIPE,PERKINS.....  | 1    | 23   | 219437GT | ISOLATOR, VIBRATION.....                            | 2    |
| 4A   | 84816GT   | HARDWARE KIT,BELLHSNG 403C-11...<br><i>(for SN 101 to 2311)</i>  | 1    | 24   | 94243GT  | HOSE,RADIATOR,LOWER,PERKINS.....                    | 1    |
| 4B   | 162460GT  | HARDWARE KIT,BELLHSNG GRDN<br><i>(from SN 2312) (includes fasteners for hub adapter and bellhousing)</i> |      | 25   | 101324GT | ALTERNATOR,40 AMP,INT<br>REGULATE.....              | 1    |
| 5A   | 99851GT   | HOUSING,COUPLER,A<br>PILOT,PERKIN.....   | 1    | 26   | 97473GT  | SENSOR,WATER TEMPERATURE.....                       | 1    |
|      |           | <i>(for SN 101 to 2311)</i>  |      | 27   | 85071GT  | BELT-FAN, PERKINS (103.10).....                     | 1    |
| 5B   | 162459GT  | HOUSING,CPLR,APILOT,PERKIN,GRD<br><i>(from SN 2312)</i>  |      | 28   | 97473GT  | SENSOR,WATER TEMPERATURE.....                       | 1    |
| 6    | 1270697GT | PUMP, GEAR, 16CC/REV.....  | 1    | 29   | 101322GT | PUMP,WATER.....                                     | 1    |
| --   | 1273258GT | SEAL KIT,CASAPPA<br><i>for pump 1270697</i>  |      | 30   | 101341GT | FAN.....  | 1    |
| --   | 85197GT   | SEAL KIT,BOSCH PUMP***<br><i>for pump 87918</i>  |      | 31   | 101319GT | FAN PULLEY.....                                     | 1    |
| 7    | 6019GT    | SCREW,HHC,3/8-16 X 1.25 GRD 5  |      | 32   | 30348GT  | CLAMP,HOSE,1.00.....                                | 4    |
| 8    | 6021GT    | WASHER,LOCK, .375  |      | 33   |          | Ref., HARNESS,BATTERY<br><i>(refer to 408.1)</i>    |      |
| 9A   | 99852GT   | COUPLER,HUB,9T A-A SPLN<br>PERKIN.....   | 1    | 34   |          | Ref., HARNESS,ENGINE<br><i>(refer to 408.1)</i>     |      |
|      |           | <i>(for SN 101 to 2311)</i>  |      | 35   | 6700GT   | WASHER,STAR,EXTERNAL, .375<br><i>(from SN 2312)</i> |      |
| 9B   | 162461GT  | COUPLER,HUB9TA-APLNSPERKINGDN<br><i>(from SN 2312)</i>   |      |      |          |   |      |
| 10A  | 94688GT   | ADAPTER, FLANGE GEAR, 3 HOLE.....<br><i>(for SN 101 to 2311)</i>   | 1    |      |          |   |      |
| 10B  | 162462GT  | ADAPTER,FLANGE GEAR,3 HOLE,GRDN<br><i>(from SN 2312)</i>   |      |      |          |   |      |
| 11   | 101318GT  | FLYWHEEL.....  | 1    |      |          |   |      |
| 12   | 6198GT    | NUT,NYLOCK,1/2-13.....   | 4    |      |          |   |      |
| 13   | 112946GT  | WASHER,FENDER, .5X2.125.....   | 4    |      |          |   |      |
| 14   | 6095GT    | WASHER,FLAT,USS,1/2",Y.....  | 4    |      |          |   |      |
| 15   | 104235GT  | SCREW,HHC,1/2-13X2.25 GRD 8.....   | 4    |      |          |   |      |
| 16   | 228458GT  | STARTER, PERKINS, 403D.....  | 1    |      |          |   |      |
| 17A  | 148036GT  | FORMING,ENG MNT LT,PRK 403D.....<br><i>(to SN 3661) (Genie blue)</i>                                     | 1    |      |          |   |      |
| 17B  | 1254130GT | FORMING,ENG MNT LT,PD.....<br><i>(from SN 3662) (traffic black)</i>                                      | 1    |      |          |   |      |
| 18   | 112929GT  | ISOLATOR,ENGINE,CNTR-BOND,50D...4  |      |      |          |   |      |
| 19   | 94784GT   | SCREW,HHC,M12X1.25X25,GR 8.8.....  | 10   |      |          |   |      |
| 20   | 6033GT    | WASHER,LOCK,0.5".....  | 10   |      |          |   |      |
| 21   |           | MANIFOLD,EXHAUST (101325).....<br><i>component no longer available</i>                                   | 1    |      |          |   |      |
| --   | 131664GT  | NUTS,EXHAUST   |      |      |          |   |      |

311.1 GM 0.998L Engine, View 1

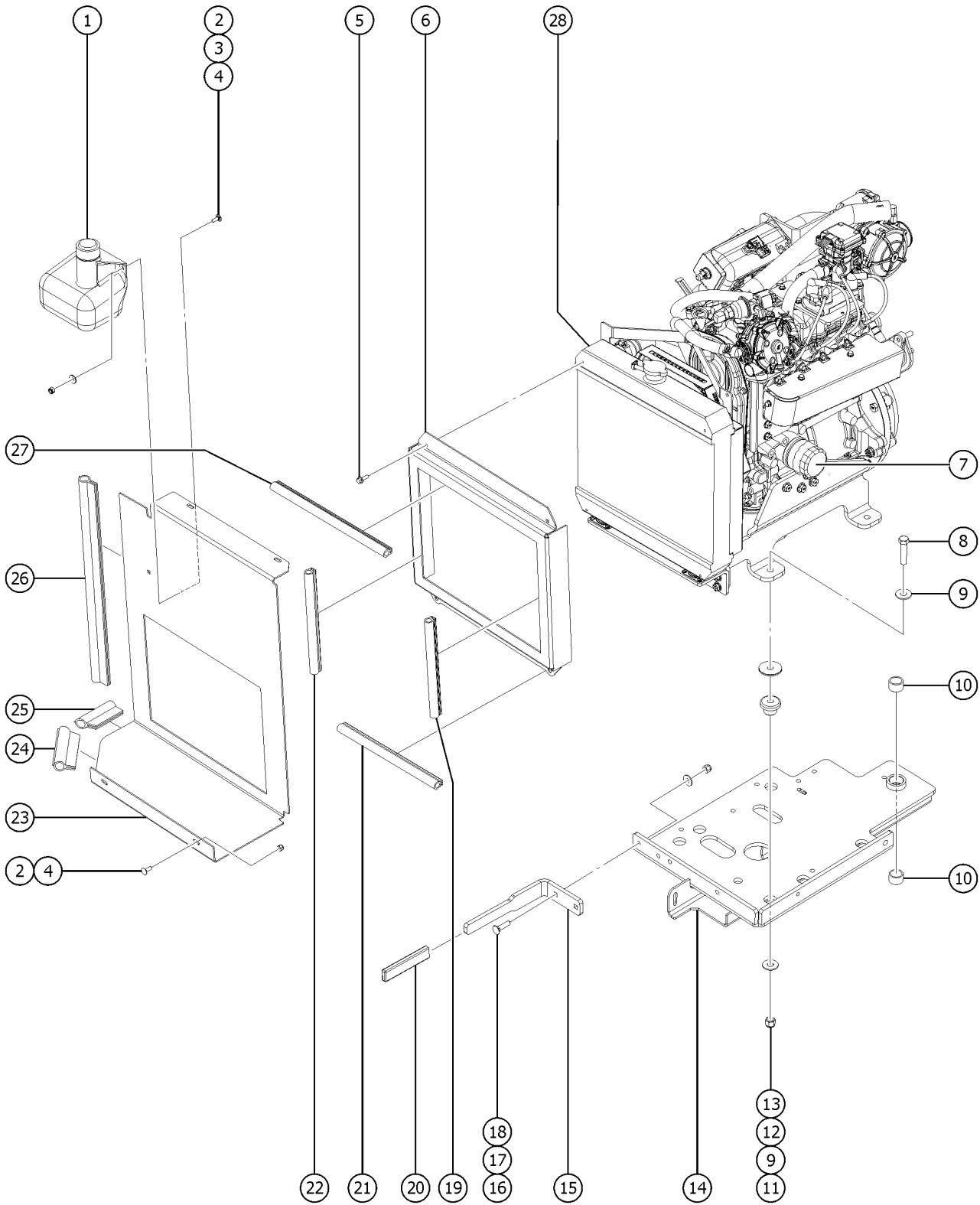




## 311.1 GM 0.998L Engine, View 1

| Item | Part No.  | Description   | Qty. |
|------|-----------|---|------|
| B    | 1280296GT | ASSY,FUEL HOSE,5/16"ID,15"L,FI<br><i>pump to filter</i>               |      |
| B    | 1280297GT | ASSY,FUEL HOSE,5/16"ID,20"L,FI<br><i>filter to regulator</i>          |      |
| B    | 1280298GT | ASSY,FUEL HOSE,5/16"ID,26"L,FI<br><i>regulator to tank</i>            |      |
| B    | 1280391GT | ASSY,FUEL HOSE,5/16"ID,41"L,FI<br><i>fuel tank to pump</i>            |      |
| C    | 1271825GT | ECM, SSI .79L / .97L  |      |
| 1    | 52420GT   | CAP,RAIN,AIR CLEANER, GS68RT** .....1                                 |      |
| 2    | 6878GT    | BOLT,CARRIAGE,1/4-20 X .75,G2.....4                                   |      |
| 3    | 6091GT    | NUT,NYLOCK,1/4-20.....4   |      |
| 4    | 1272505GT | FORMING,BELT GUARD,GM .998L.....1                                     |      |
| 5    |           | Ref. FORMING, TAILPIPE SPRT,GM<br>.998.....1<br><i>refer to 313.1</i> |      |
| 6    | 8516GT    | SCREW, HCC, 3/8-16 X 1.50.....2                                       |      |
| 7    | 6097GT    | WASHER,FLAT,USS,3/8",Y.....4  |      |
| 8    | 4828GT    | NUT,NYLOCK,3/8-16.....2   |      |
| 9    | 1270954GT | FORMING,AIR CLNR SPRT,GM .998.....1                                   |      |
| 10   | 6782GT    | NUT,NYLOCK,5/16-18.....2  |      |
| 11   | 5397GT    | WASHER,FLAT,USS,5/16",Y.....2   |      |
| 12   | 10107GT   | SCREW,HHC,5/16-18 X .75.....2   |      |
| 13   | 119685GT  | BRACKET, AIRCLEANER MT.....1  |      |
| 14   | 119684GT  | AIRCLEANER ASSEMBLY.....1   |      |
| 15   | 35434GT   | CLAMP,HOSE,2.00*** .....3   |      |
| 16   | 131372GT  | HOSE,1.75ID,2.50IDX12.0".....1  |      |
| 17   | 45435GT   | CLAMP,HOSE,2.50**** .....2  |      |
| 18   | 1266292GT | HOSE, AIR, 1.75"ID X 2.5"L.....1                                      |      |
| 19   | 1266263GT | WELDMENT,RAIN CAP,GM .998L.....1                                      |      |

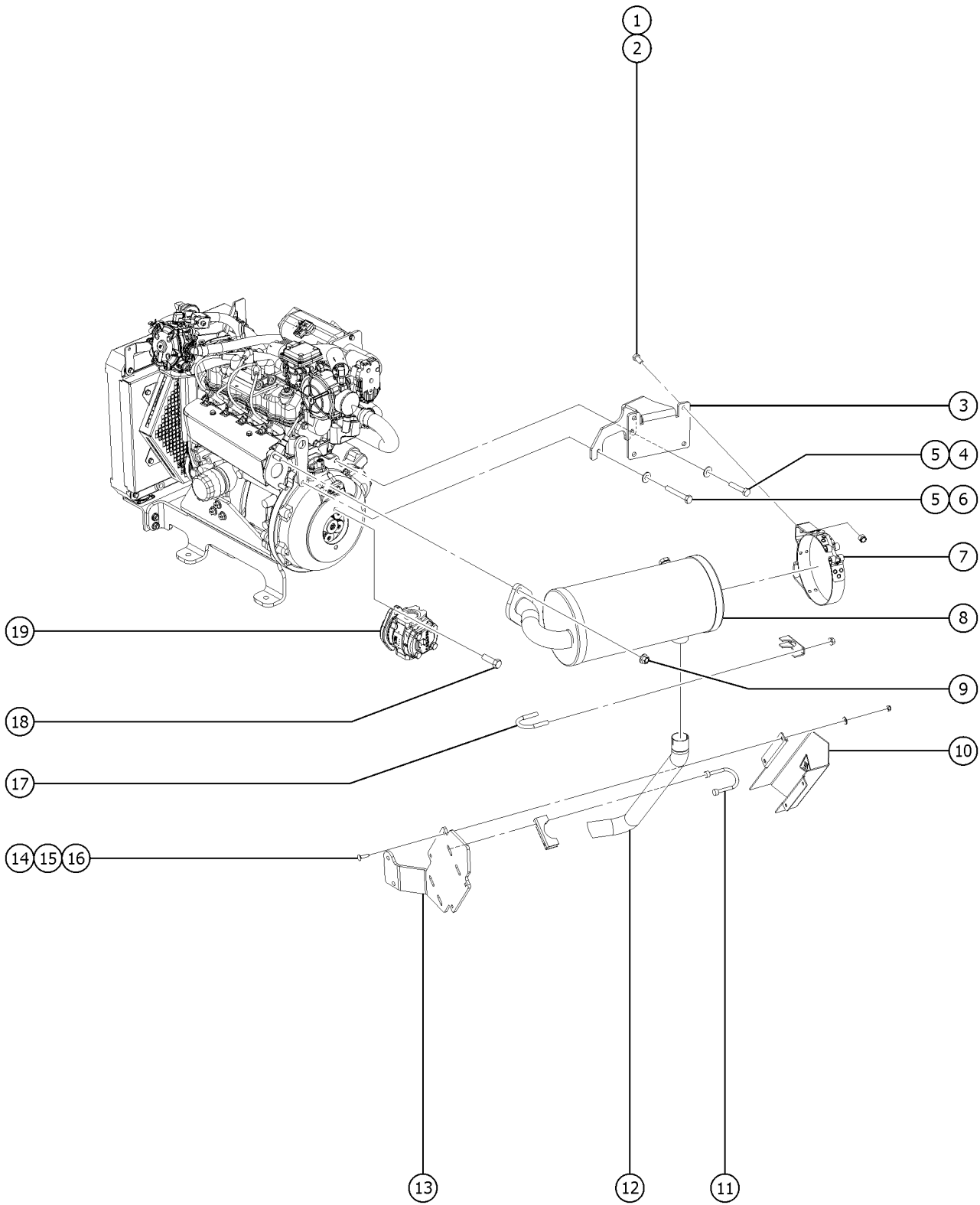
312.1 GM 0.998L Engine, View 2



## 312.1 GM 0.998L Engine, View 2

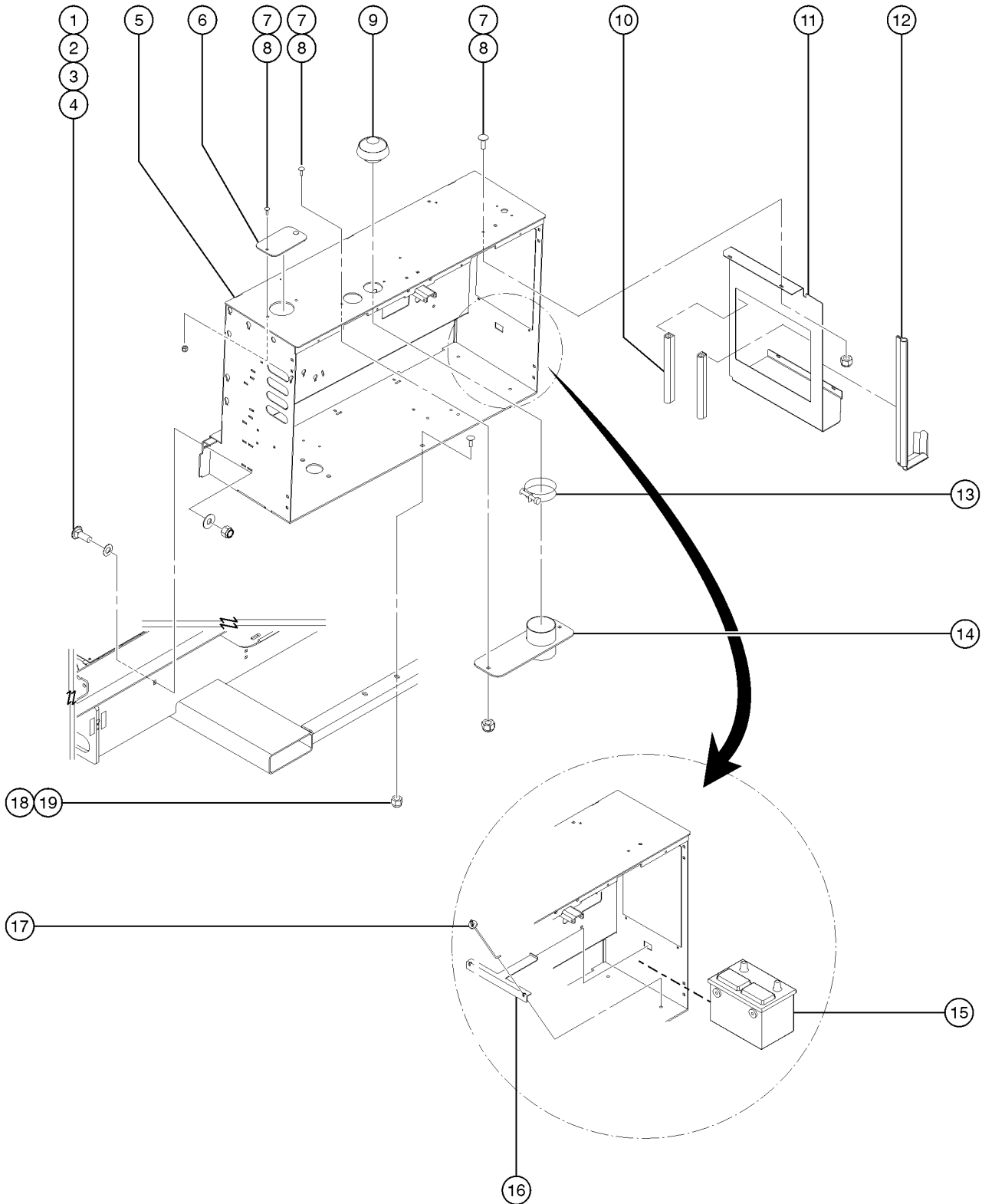
| Item | Part No.      | Description  | Qty. |
|------|---------------|--|------|
| A    | 1281807GT     | ALTERNATOR,GM .998L,PSI,Z34                                      |      |
| 1    | 42662GT       | COOLANT RECOVERY BOTTLE1.5<br>QT*.....1                          | 1    |
| 2    | 6878GT        | BOLT,CARRIAGE,1/4-20 X .75,G2.....4                              | 4    |
| 3    | 6638GT        | WASHER,FLAT,USS,1/4"Y.....2                                      | 2    |
| 4    | 6091GT        | NUT,NYLOCK,1/4-20.....4  | 4    |
| 5    | 231532GT      | SCREW,HHF,M6-1.0X20,DIN6921,10.9,ZAB.4                           |      |
| 6    | 1265863GT     | FORMING,RDTR SHROUD,GM .998L....1                                | 1    |
| 7    | 1272828GT     | OIL FILTER, GM .998L.....1                                       | 1    |
| 8    | 104235GT      | SCREW,HHC,1/2-13X2.25 GRD 8.....4                                | 4    |
| 9    | 6095GT        | WASHER,FLAT,USS,1/2",Y.....8                                     | 8    |
| 10   | 131813GT      | BEARING,BRZ,FL,1.0IDX1.25OD.....2                                | 2    |
| 11   | 6198GT        | NUT,NYLOCK,1/2-13.....4  | 4    |
| 12   | 112929GT      | ISOLATOR,ENGINE,CNTR-BOND,50D...4                                | 4    |
| 13   | 112946GT      | WASHER,FENDER,.5X2.125.....4                                     | 4    |
| 14   |               | REF. WELDMENT,ENGINE SWING<br>TRAY,GS69<br><i>refer to 402.1</i> |      |
| 15   | 1268768GT     | HANDLE, ENGINE TRAY, GM .998L.....1                              | 1    |
| 16   | 60790GT       | BOLT, CARRIAGE, 3/8-16 X 1.50, G5.....2                          | 2    |
| 17   | 6097GT        | WASHER,FLAT,USS,3/8",Y.....2                                     | 2    |
| 18   | 4828GT        | NUT,NYLOCK,3/8-16.....2  | 2    |
| 19   | 119218-1000GT | TRIM,EDGE,1/8X3/4 SIDE BULB.....1                                | 1    |
| 20   | 1268767GT     | COVER, HANDLE, YELLOW.....1                                      | 1    |
| 21   | 119218-1200GT | TRIM,EDGE,1/8X3/4 SIDE BULB.....1                                | 1    |
| 22   | 119218-1050GT | TRIM,EDGE,1/8X3/4 SIDE BULB.....1                                | 1    |
| 23   | 1266127GT     | FORMING,RDTR<br>INTERFACE,GM.998L.....1                          | 1    |
| 24   | 148394-550GT  | SEAL, RUBBER, 1" BULB.....1                                      | 1    |
| 25   | 148394-400GT  | SEAL,RUBBER,1"BULB.....1   | 1    |
| 26   | 148394-2100GT | SEAL,RUBBER,1"BULB.....1   | 1    |
| 27   | 119218-1400GT | TRIM,EDGE,1/8X3/4 SIDE BULB.....1                                | 1    |
| 28   | 1271729GT     | KIT, RADIATOR, .998L   |      |

313.1 GM 0.998L Engine, View 3



| Item | Part No.  | Description                               | Qty. |
|------|-----------|---|------|
| 1    | 77692GT   | SCREW,HHC,3/8-16 X 1 GRD 8.....           | 4    |
| 2    | 4828GT    | NUT,NYLOCK,3/8-16.....                    | 4    |
| 3    | 1270952GT | FORMING,CAT SUPPORT,GM .998L.....         | 1    |
| 4    | 1272952GT | SCREW, HHC, M10 X 1.25 X 50MM.....        | 1    |
| 5    | 6097GT    | WASHER,FLAT,USS,3/8",Y.....               | 2    |
| 6    | 1272953GT | SCREW, HHC, M10 X 1.25 X 70MM.....        | 1    |
| 7    | 1271717GT | CLAMP, MUFFLER MOUNT, GM .998.....        | 2    |
| 8    | 1272457GT | CATALYTIC MUFFLER,GM .998L.....           | 1    |
| --   | 51735GT   | PLUG,HOLLOW HEX 3/8" NPT                  |      |
| 9    | 231529GT  | NUT,TL<br>FLG,M10-1.5,DIN6927,10,ZAB..... | 2    |
| 10   | 1272458GT | HEAT SHIELD,TAILPIPE,GM .998L.....        | 1    |
| 11   | 32064GT   | CLAMP,MUFFLER,1.75 INCH.....              | 2    |
| 12   | 1271715GT | TAILPIPE, GM .998L, GS69.....             | 1    |
| 13   | 1270955GT | FORMING,TAILPIPE SPRT,GM .998.....        | 1    |
| 14   | 79456GT   | BOLT,CARRIAGE,1/4-20 X 1.00,G2.....       | 4    |
| 15   | 6638GT    | WASHER,FLAT,USS,1/4"Y.....                | 4    |
| 16   | 6091GT    | NUT,NYLOCK,1/4-20.....                    | 4    |
| 17   | 62160GT   | CLAMP,TAILPIPE, 1 1/2***.....             | 1    |
| 18   | 6175GT    | SCREW,HHC,3/8-16 X 1.....                 | 2    |
| 19   | 1270697GT | PUMP, GEAR, 16CC/REV.....                 | 1    |
| --   | 1273258GT | SEAL KIT,CASAPPA<br>for pump 1270697      |      |
| --   | 85197GT   | SEAL KIT,BOSCH PUMP***<br>for pump 87918  |      |

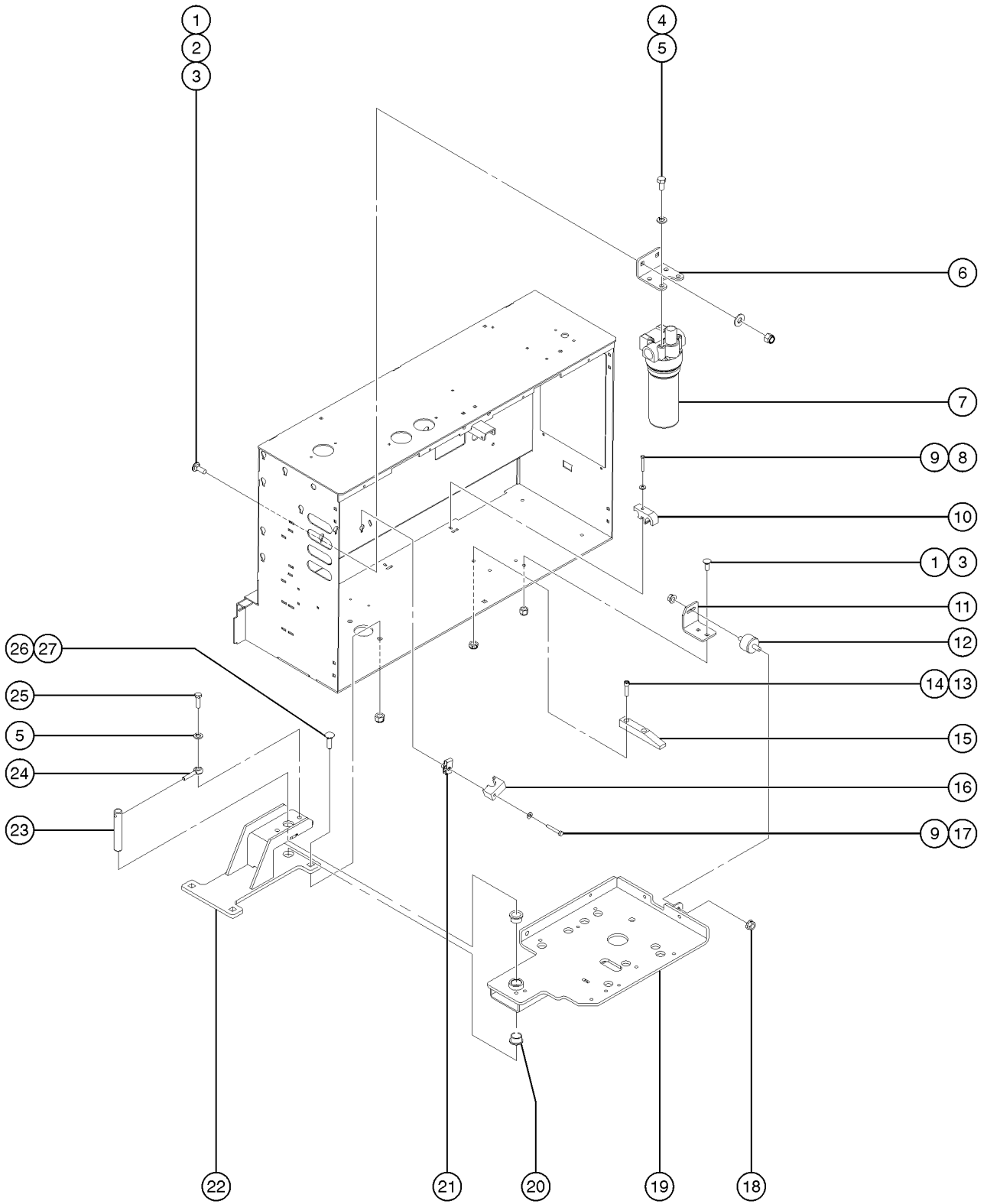
401.1 Engine Tray Components, View 1



## 401.1 Engine Tray Components, View 1

| Item | Part No.      | Description   | Qty. | Item | Part No.  | Description                                 | Qty. |
|------|---------------|---|------|------|-----------|---|------|
| 1    | 64154GT       | BOLT,CARRIAGE,3/8-16 X1.00,G5.....  | 2    | 14B  | 1254134GT | WELDMNT,RAIN CAP<br>MNT,PERKINS.....        | 1    |
| 2    | 87684GT       | PUSH RETAINER, 3/8" SCREW.....  | 2    |      |           | <i>(for Perkins 403D-11 &amp; GM .998L)</i> |      |
| 3    | 6097GT        | WASHER,FLAT,USS,3/8",Y.....   | 2    | 14C  | 1266263GT | WELDMNT,RAIN CAP,GM .998L.....              | 1    |
| 4    | 4828GT        | NUT,NYLOCK,3/8-16.....  | 2    |      |           | <i>(for GM .998L)</i>                       |      |
| 5A   | 131801GT      | WELDMNT,ENGINE BOX,GS69.....  | 1    | 15   | 36872GT   | BATTERY, 12V,900 CCA.....                   | 1    |
|      |               | <i>(to SN 3661) (Genie blue)</i>  |      | 16A  | 148034GT  | FORMING,BATTERY TIE DOWN.....               | 1    |
| 5B   | 1253427GT     | WELDMNT,BOX,ENGINE.....   | 1    |      |           | <i>(to SN 3661) (Genie blue)</i>            |      |
|      |               | <i>(from SN 3662) (traffic black)</i>   |      | 16B  | 1254421GT | FORMING,BATTERY TIE DOWN.....               | 1    |
| 6    | 1269612GT     | PLATE, RAIN HAT COVER, GS69.....  | 1    |      |           | <i>(from SN 3662) (traffic black)</i>       |      |
|      |               | <i>(for Kubota WG-972, Kubota D-1105 &amp; Perkins 403D-11)</i>                 |      | 17   | 45708GT   | HOOK,BATT HOLD DOWN,10".....                | 2    |
| 7    | 6878GT        | BOLT,CARRIAGE,1/4-20 X .75,G2.....  | 6    | 18   | 6198GT    | NUT,NYLOCK,1/2-13.....                      | 1    |
| 8    | 6091GT        | NUT,NYLOCK,1/4-20.....  | 6    | 19   | 96203GT   | BOLT,CARRIAGE,1/2-13X1.75, G5.....          | 1    |
| 9    | 52420GT       | CAP,RAIN,AIR CLEANER, GS68RT**.....   | 1    |      |           |   |      |
| 10A  | 233821GT      | SEAL, RUBBER 90D BULB, 14IN.....  | 2    |      |           |   |      |
|      |               | <i>(for Kubota D-1105 &amp; Perkins 403D-11)</i>                                |      |      |           |   |      |
| 10B  | 233933GT      | SEAL, RUBBER STRAIGHT BULB, 15...2  |      |      |           |   |      |
|      |               | <i>(for Kubota WG-972)</i>  |      |      |           |   |      |
| 11A  | 148101GT      | FORMING,RAD.INTERFACE,D-1105.....   | 1    |      |           |   |      |
|      |               | <i>(for Kubota D-1105 &amp; Perkins 403D-11) (to SN 3661) (Genie blue)</i>      |      |      |           |   |      |
| 11B  | 1254112GT     | FORMING,RAD.INTERFACE,KD,PD.....  | 1    |      |           |   |      |
|      |               | <i>(for Kubota D-1105 &amp; Perkins 403D-11) (from SN 3662) (traffic black)</i> |      |      |           |   |      |
| 11C  | 148029GT      | FORMING,RAD.INTERFACE,DF-972.....   | 1    |      |           |   |      |
|      |               | <i>(for Kubota WG-972) (to SN 3661) (Genie blue)</i>                            |      |      |           |   |      |
| 11D  | 1254141GT     | FORMING,RAD.INTERFACE,KUB DF...1  |      |      |           |   |      |
|      |               | <i>(for Kubota WG-972) (from SN 3662) (traffic black)</i>                       |      |      |           |   |      |
| 11E  | 1266127GT     | FORMING,RDTR INTERFACE,GM.998L  |      |      |           |   |      |
|      |               | <i>(for GM .998L)</i>   |      |      |           |   |      |
| 12A  | 233823GT      | SEAL, RUBBER STRT BULB, 21".....  | 1    |      |           |   |      |
|      |               | <i>(for Kubota D-1105 &amp; Perkins 403D-11)</i>                                |      |      |           |   |      |
| 12A  | 233824GT      | SEAL, RUBBER STRT BULB, 9.5".....   | 1    |      |           |   |      |
|      |               | <i>(for Kubota D-1105 &amp; Perkins 403D-11)</i>                                |      |      |           |   |      |
| 12B  | 233823GT      | SEAL, RUBBER STRT BULB, 21".....  | 1    |      |           |   |      |
|      |               | <i>(for Kubota WG-972)</i>  |      |      |           |   |      |
| 12B  | 233824GT      | SEAL, RUBBER STRT BULB, 9.5".....   | 1    |      |           |   |      |
|      |               | <i>(for Kubota WG-972)</i>  |      |      |           |   |      |
| 12C  | 148394-2100GT | SEAL,RUBBER,1"BULB.....   | 1    |      |           |   |      |
|      |               | <i>(for GM .998L)</i>   |      |      |           |   |      |
| 12C  | 148394-400GT  | SEAL,RUBBER,1"BULB.....   | 1    |      |           |   |      |
|      |               | <i>(for GM .998L)</i>   |      |      |           |   |      |
| 12C  | 148394-550GT  | SEAL, RUBBER, 1" BULB.....  | 1    |      |           |   |      |
|      |               | <i>(for GM .998L)</i>   |      |      |           |   |      |
| 13   | 45435GT       | CLAMP,HOSE,2.50"***.....  | 1    |      |           |   |      |
| 14A  | 99097GT       | WELDMNT,RAIN CAP MNT,<br>KUBOTA.....  | 1    |      |           |   |      |

402.1 Engine Tray Components, View 2

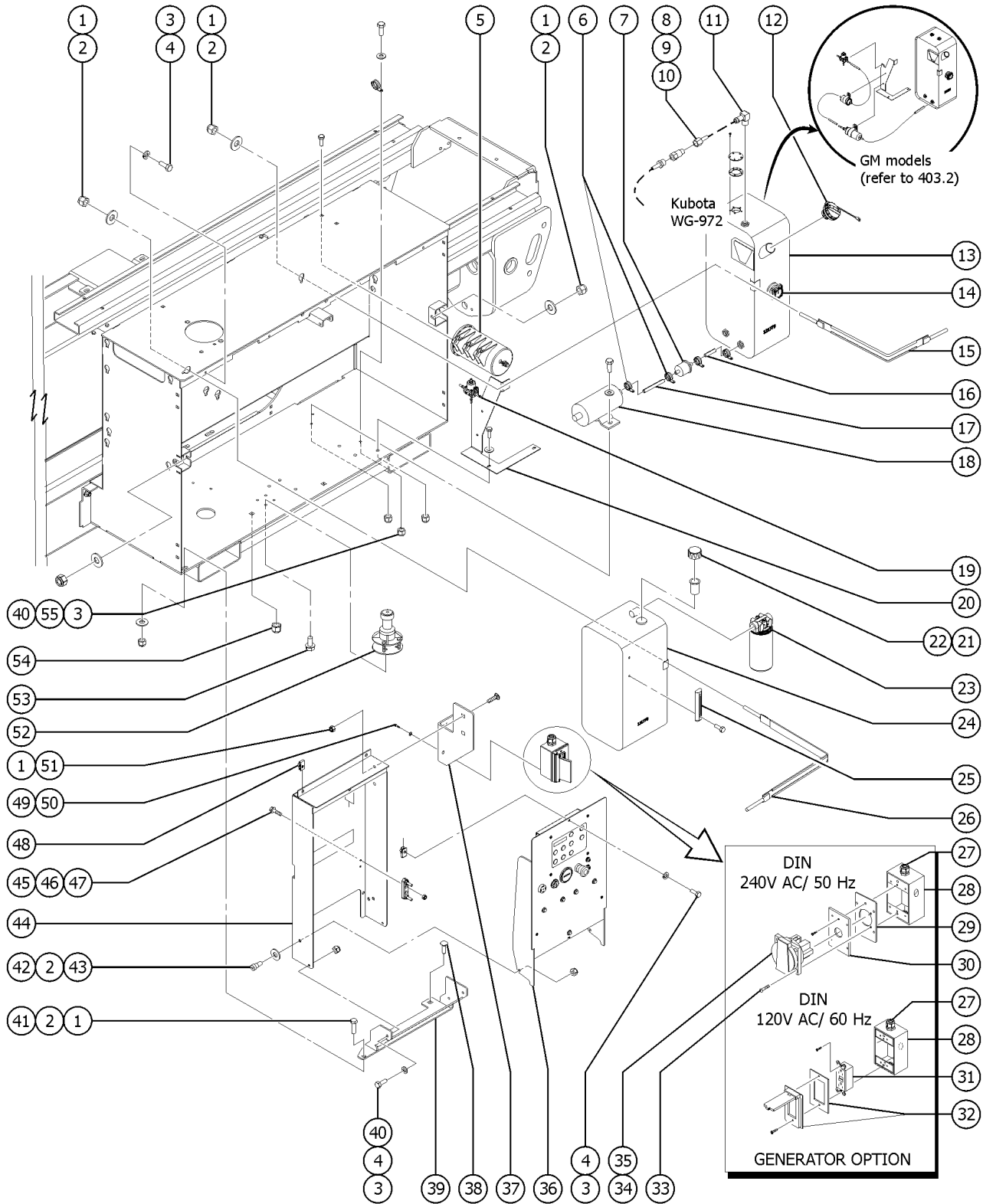




## 402.1 Engine Tray Components, View 2

| Item | Part No.  | Description  | Qty. | Item | Part No. | Description                        | Qty. |
|------|-----------|--|------|------|----------|------------------------------------|------|
| 1    | 64154GT   | BOLT,CARRIAGE,3/8-16 X1.00,G5.....                                       | 2    | 26   | 96203GT  | BOLT,CARRIAGE,1/2-13X1.75, G5..... | 4    |
| 2    | 5397GT    | WASHER,FLAT,USS,5/16",Y.....   | 2    | 27   | 6198GT   | NUT,NYLOCK,1/2-13.....             | 4    |
| 3    | 4828GT    | NUT,NYLOCK,3/8-16.....   | 4    |      |          |                                    |      |
| 4    | 8255GT    | SCREW,HHC,3/8-16 X .75.....  | 4    |      |          |                                    |      |
| 5    | 6021GT    | WASHER,LOCK,.375.....  | 5    |      |          |                                    |      |
| 6A   | 71202PGT  | BRACKET, HIGH PRESSURE 4390.....<br>(to SN 3661) (Genie blue)            | 1    |      |          |                                    |      |
| 6B   | 1254246GT | FORMING,HIGH PRESS FILTER<br>BRKT.....<br>(from SN 3662) (traffic black) | 1    |      |          |                                    |      |
| 7    | 60334GT   | FILTER ASSY,HIGH PRESS SAE-12*.....                                      | 1    |      |          |                                    |      |
| --   | 1279465GT | BACKUP<br>RING,71.60X67.20X1.40PTFE(60334)                               |      |      |          |                                    |      |
| --   | 1279466GT | O-RING,67.95X2.62-NBR-70SH(HF2P)(60334)                                  |      |      |          |                                    |      |
| --   | 60857GT   | FILTER,ELEMENT,BETA(5)=1000  |      |      |          |                                    |      |
| 8    | 4266GT    | SCREW,HHC,1/4-20 X 2.....  | 2    |      |          |                                    |      |
| 9    | 6638GT    | WASHER,FLAT,USS,1/4"Y  |      |      |          |                                    |      |
| 10   | 229771GT  | CABLE CLAMP,3 WAY,HDPE.....  | 2    |      |          |                                    |      |
| 11A  | 131814GT  | FORMING ENGINE TRAY STOP.....<br>(to SN 3661) (Genie blue)               | 1    |      |          |                                    |      |
| 11B  | 1254419GT | FORMING ENGINE TRAY STOP.....<br>(from SN 3662) (traffic black)          | 1    |      |          |                                    |      |
| 12   | 75260GT   | ISOLATOR,FLEX-BOLT<br>SANDWICH***.....                                   | 1    |      |          |                                    |      |
| 13   | 29447GT   | SCREW,SHC,3/8-16 X 1.5.....  | 2    |      |          |                                    |      |
| 14   | 7713GT    | NUT, LP NYLOCK, 3/8-16.....  | 2    |      |          |                                    |      |
| 15   | 148008GT  | SLIDE BLOCK,ENGINE TRAY.....   | 1    |      |          |                                    |      |
| 16   | T112283GT | CLAMP,1X#8 HOSE.....   | 2    |      |          |                                    |      |
| 17   | 4266GT    | SCREW,HHC,1/4-20 X 2.....  | 2    |      |          |                                    |      |
| 18   | 121422GT  | NUT,HEX,FLG,3/8-16.....  | 2    |      |          |                                    |      |
| 19A  | 131765GT  | WELDMENT, ENGINE SWING TRAY.....<br>(to SN 3661) (Genie blue)            | 1    |      |          |                                    |      |
| 19B  | 1254136GT | WELDMENT, ENGINE SWING TRAY<br>(from SN 3662 to 9154) (traffic black)    |      |      |          |                                    |      |
| 19C  | 1264810GT | WELDMENT,ENGINE SWING<br>TRAY,GS69.....<br>(from 9156) (traffic black)   | 1    |      |          |                                    |      |
| 20   | 131813GT  | BEARING,BRZ,FL,1.0IDX1.25OD.....   | 2    |      |          |                                    |      |
| 21   | 56912GT   | SPRING<br>CLIP,1/4-20,.025-.15X.54,ZAG.....                              | 2    |      |          |                                    |      |
| 22A  | 131769GT  | WELDMENT,ENGINE PIVOT MOUNT....<br>(to SN 3661) (Genie blue)             | 1    |      |          |                                    |      |
| 22B  | 1254420GT | WELDMENT,ENGINE PIVOT MOUNT....<br>(from SN 3662) (traffic black)        | 1    |      |          |                                    |      |
| 23   | 67387GT   | PIN,1.00DIA X 5.27LG,1HOLE.....  | 1    |      |          |                                    |      |
| 24   | 1255452GT | ROD END,.375 X 2.25,ZAG.....   | 1    |      |          |                                    |      |
| 25   | 6019GT    | SCREW,HHC,3/8-16 X 1.25 GRD 5.....                                       | 1    |      |          |                                    |      |

403.1 Hydraulic Tank And Ground Controls Installation



## 403.1 Hydraulic Tank And Ground Controls Installation

| Item | Part No.  | Description   | Qty. | Item | Part No.  | Description   | Qty. |
|------|-----------|---|------|------|---|---|------|
| 1    | 4828GT    | NUT,NYLOCK,3/8-16.....  | 5    | 16A  | 233945GT  | HOSE, FUEL LO-PERM 5/16", 4"LG.....1<br>(Kubota WG-972) (to SN GS6915-6174)               | 1    |
| 2    | 6097GT    | WASHER,FLAT,USS,3/8",Y.....   | 7    | 16B  | 1266602GT   | KIT,KUBWVG972 FUEL HOSE RPCMT....1<br>(Kubota WG-972) (to SN GS6915-6174)                 | 1    |
| 3    | 6090GT    | SCREW,HHC,1/4-20 X .75.....   | 5    | 16C  | 1266527GT   | HOSE,FUEL,5/16" DIA,EPA,2"LG.....1<br>(Kubota WG-972) (from SN GS6915-6175<br>to SN 8533) | 1    |
| 4    | 6356GT    | WASHER,LOCK,.25.....  | 5    | 17A  | 233946GT  | HOSE, FUEL LO-PERM 5/16", 7"LG.....1<br>(Kubota WG-972) (to SN GS6915-6174)               | 1    |
| 5    | 1262944GT | CANISTER, CARBON, 1000CC.....1<br>(GM .998L) (from SN GS6916F-9156)   | 1    | 17B  | 1266602GT   | KIT,KUBWVG972 FUEL HOSE RPCMT....1<br>(Kubota WG-972) (to SN GS6915-6174)                 | 1    |
| 6    | 54123GT   | CLAMP,HOSE,1 EAR, 5/8.....6<br>(gasoline models)  | 6    | 17C  | 1266527GT   | HOSE,FUEL,5/16" DIA,EPA,2"LG.....1<br>(Kubota WG-972) (from SN GS6915-6175<br>to SN 8533) | 1    |
| 7A   | 23168GT   | FILTER,FUEL,IN-LINE**.....1<br>(Kubota WG-972) (to SN 8533)   | 1    | 18A  | 23167GT   | PUMP,FUEL,KUBOTA GAS,INLINE.....1<br>(Kubota WG-972) (to SN 8533)                         | 1    |
| 7B   | 1272019GT | FILTER, FUEL.....1<br>(GM .998L) (from SN GS6916F-9156)   | 1    | --   | 21465GT   | CLAMP,HOSE,.25" - .63" X .3125<br>(sold seperately)                                       |      |
| --   | 1272022GT | CLAMP,FUEL COMPONENTS,GM .998L  |      | 18B  | 1272018GT   | PUMP, FUEL, GM .998L.....1<br>(GM .998L) (from SN GS6916F-9156)                           | 1    |
| --   | 1272995GT | ASSY,FUEL HOSE,5/16"ID,10"L,FI.....2<br>(GM .998L) (1) from pump to filter (2) from<br>filter to regulator) | 2    | --   | 1272022GT   | CLAMP,FUEL COMPONENTS,GM .998L  |      |
| --   | 4828GT    | NUT,NYLOCK,3/8-16   |      | --   | 1272994GT   | ASSY,FUEL HOSE,5/16"ID,14"L,FI<br>(GM .998L) (from tank to fuel pump)                     |      |
| --   | 6097GT    | WASHER,FLAT,USS,3/8",Y  |      | --   | 4828GT  | NUT,NYLOCK,3/8-16   |      |
| --   | 77692GT   | SCREW,HHC,3/8-16 X 1 GRD 8  |      | --   | 6097GT  | WASHER,FLAT,USS,3/8",Y  |      |
| 8A   | 2347GT    | CONNECTOR,B,1/8 FPT 3/16 HS.....1<br>(Kubota WG-972) (to SN 8533)   | 1    | --   | 77692GT   | SCREW,HHC,3/8-16 X 1 GRD 8  |      |
| 8B   | 1263198GT | CONN, 1/2" BARBED, 3/8" FNPT.....1<br>(GM .998L) (from SN GS6916F-9156)                                     | 1    | 18C  | Ref., FUEL HOSE<br>(refer to 302.1, 306.1 or 309.1) |   |      |
| 9A   | 226960GT  | VALVE,2 WAY,2.5PSI.....1<br>(gasoline models) (from SN 101 to 6027)   | 1    | 19   | 1272020GT   | REGULATOR, FUEL, GM .998L.....1<br>(GM .998L) (from SN GS6916F-9156)                      | 1    |
| 9B   | 1261278GT | VALVE,2WAY ,1PSI.....1<br>(gasoline models) (from SN 6028)  | 1    | --   | 1272996GT   | ASSY,FUEL HOSE,5/16"ID,8"L,FI<br>(GM .998L) (from tank to regulator)                      |      |
| 10A  | 231557GT  | CONN,BR, 1/8" MNPT-3/16" HS.....1<br>(Kubota WG-972) (to SN 8533)   | 1    | --   | 1272997GT   | ASSY,FUEL HOSE,5/16"ID,120",FI<br>(GM .998L) (from regulator to engine)                   |      |
| 10B  | 1263199GT | CONN, 3/16" BARBED, 3/8" MNPT.....1<br>(GM .998L) (from SN GS6916F-9156)                                    | 1    | 20   | 1272023GT   | FORMING,FUEL COMPONENT,GM<br>.998.....1<br>(GM .998L) (from SN GS6916F-9156)              | 1    |
| 11A  | 34211GT   | ELBOW,90DEG.1/4 MPT-5/16 BARB.....1<br>(Kubota WG-972) (to SN 8533)   | 1    | --   | 4828GT  | NUT,NYLOCK,3/8-16   |      |
| 11B  | 1262945GT | VALVE, ROLLOVER, 1/4" BARBED.....1<br>(GM .998L) (from SN GS6916F-9156)                                     | 1    | --   | 6097GT  | WASHER,FLAT,USS,3/8",Y  |      |
| 12A  | T112457GT | CAP,FUEL,DIESEL,SAE-J NECK.....1<br>(diesel models)   | 1    | --   | 77692GT   | SCREW,HHC,3/8-16 X 1 GRD 8  |      |
| 12B  | 119918GT  | CAP,FUEL,GASOLINE 3.5PSI.....1<br>(gasoline models)   | 1    | 21   | 131658GT  | CAP,HYDRAULIC TANK,GS68/84/90.....1   | 1    |
| 13   | 148444GT  | ASSY,FUEL TANK,10 GAL,GS69.....1  | 1    | 22   | 31506GT   | STRAINER,FILLER NECK.....1  | 1    |
| --   | 1251757GT | SCREW,PHPM,10-32X.50,ZAG.....5  | 5    | 23   | 87070GT   | FILTER ASSY,SAE 12 NO INDICAT*.....1  | 1    |
| --   | 1271772GT | CAP, TANK, FUEL SENSOR.....1  | 1    | --   | 1259055GT   | FILTER ELEMENT, 10 MICRON<br>(Genie aftermarket part)                                     |      |
| --   | 1271773GT | GASKET, TANK, FUEL SENSOR.....1   | 1    | --   | 131323GT  | FILTER ELEMENT,10 MICRON<br>(Genie genuine part)  |      |
| 14   | 148389GT  | GAUGE,FUEL,GS69.....1   | 1    | 24   | 131778GT  | TANK,HYDRAULIC,18 GALLON***.....1   | 1    |
| --   | 146550GT  | GASKET, FUEL LEVEL GAUGE, GAS   |      | 25   | 215229GT  | GAUGE,HYDRAULIC TANK T/L VL.....1   | 1    |
| --   | 38979GT   | SCREW,PHM,1/4-20X.5 PHIL  |      |      |   |   |      |
| 15   | T106787GT | TANK STRAP,FUEL,BOLT STYLE,69.....1   | 1    |      |   |   |      |
| --   | 31658-SGT | EXTRUSION,RUBBER BUMPER STRIP   |      |      |   |   |      |

403.1 Hydraulic Tank And Ground Controls Installation  
(continued)

| Item | Part No.  | Description   | Qty. | Item | Part No. | Description   | Qty. |
|------|-----------|---|------|------|----------|---|------|
| 26   | T106782GT | TANK STRAP,BOLT<br>STYLE,HYD,GS69.....  | 1    | 50   | 44936GT  | WASHER,STAR,EXTERNAL,#8<br>(generator option)                       |      |
| --   | 31658-SGT | EXTRUSION,RUBBER BUMPER STRIP   |      | 51   | 64154GT  | BOLT,CARRIAGE,3/8-16 X1.00,G5<br>(generator option)                 |      |
| 27   | 7056GT    | CONN,SQUEEZE,1/2NPT .38-.50,SM....2<br>(generator option)   | 2    | 52A  | 78674GT  | LEVEL SENSOR,LS60,BLUE,2X3**.....1<br>(models without outriggers)   | 1    |
| 28   | 10775GT   | T-BOX,2.75 X 4.5 X 2.0.....2<br>(generator option)  | 2    | 52B  | 71484GT  | SENSOR,LEVEL, ANALOG.....1<br>(models with outriggers)              | 1    |
| 29   | 66355GT   | GASKET, UK & DIN PWR. TO PLAT.....1<br>(generator option)   | 1    | 53   | 230850GT | SCREW, WASH HEAD, 20-9X5/8.....4                                    | 4    |
| 30   | 96236GT   | PLATE,AC ADAPTER,DIN/UK***.....1<br>(generator option)  | 1    | 54   | 6198GT   | NUT,NYLOCK,1/2-13.....1   | 1    |
| 31   | 13585GT   | OUTLET, 110V.....1<br>(generator option)  | 1    | 55   | 18666GT  | CLAMP,1.00,#16 X 1/4,RUB CUSH.....1<br>(Kubota WG-972) (to SN 8533) | 1    |
| 32   | 74006GT   | COVER,GFCI,HORIZONTAL,WEATHER.1<br>(generator option) (includes gasket and<br>mounting fasteners) | 1    |      |          |   |      |
| 33   | 229740GT  | SCREW,PPH,8-32X.50,ZINC,TRS<br>(generator option)   |      |      |          |   |      |
| 34   | 66353GT   | RECEPTACLE, DIN, 220V 50A.....1<br>(generator option)   | 1    |      |          |   |      |
| 35   | 63375GT   | SCREW,FHM,6-32 X .75<br>(generator option)  |      |      |          |   |      |
| 36   |           | Ref., GROUND CONTROLS.....1<br>(refer to 405.1)   | 1    |      |          |   |      |
| 37A  | 235991GT  | FORMING,GENERATOR,GFCI,GS69....1<br>(generator option) (to SN 3661) (Genie<br>blue)               | 1    |      |          |   |      |
| 37B  | 1254166GT | FORMING,GENERATOR,GFCI,GS69....1<br>(generator option) (from SN 3662) (traffic<br>black)          | 1    |      |          |   |      |
| 38   | 96203GT   | BOLT,CARRIAGE,1/2-13X1.75, G5.....1   | 1    |      |          |   |      |
| 39A  | 148243GT  | WELDMENT,GRND CONT,LWR MT.....1<br>(to SN GS6914-3661)  | 1    |      |          |   |      |
| 39B  | 1256582GT | WELDMENT,GRND CONT,LWR MT.....1<br>(from SN GS6914-3662)  | 1    |      |          |   |      |
| 40   | 6091GT    | NUT,NYLOCK,1/4-20.....2   | 2    |      |          |   |      |
| 41   | 6019GT    | SCREW,HHC,3/8-16 X 1.25 GRD 5.....1   | 1    |      |          |   |      |
| 42   | T115706GT | BOLT,SHLDR,3/8X5/16X5/16-18S/S.....2  | 2    |      |          |   |      |
| 43   | 6782GT    | NUT,NYLOCK,5/16-18.....2  | 2    |      |          |   |      |
| 44A  | 148018GT  | WELDMENT,MOUNT,LCP,GS69.....1<br>(to SN GS6914-3661)  | 1    |      |          |   |      |
| 44B  | 1254440GT | WELDMENT,MOUNT,LCP,GS69.....1<br>(from SN GS6914-3662)  | 1    |      |          |   |      |
| 45   | 6873GT    | SCREW,FHM,10-32 X 1   |      |      |          |   |      |
| 46   | 66717GT   | FUSE BLOCK, ANN & ANL FUSE  |      |      |          |   |      |
| 47   | 6178GT    | NUT,NYLOCK,10-32  |      |      |          |   |      |
| 48   | 56912GT   | SPRING<br>CLIP,1/4-20,.025-.15X.54,ZAG.....3  | 3    |      |          |   |      |
| 49   | 57075GT   | SCREW,PHIL,8-32X.50,SELF TAP<br>(generator option)  |      |      |          |   |      |

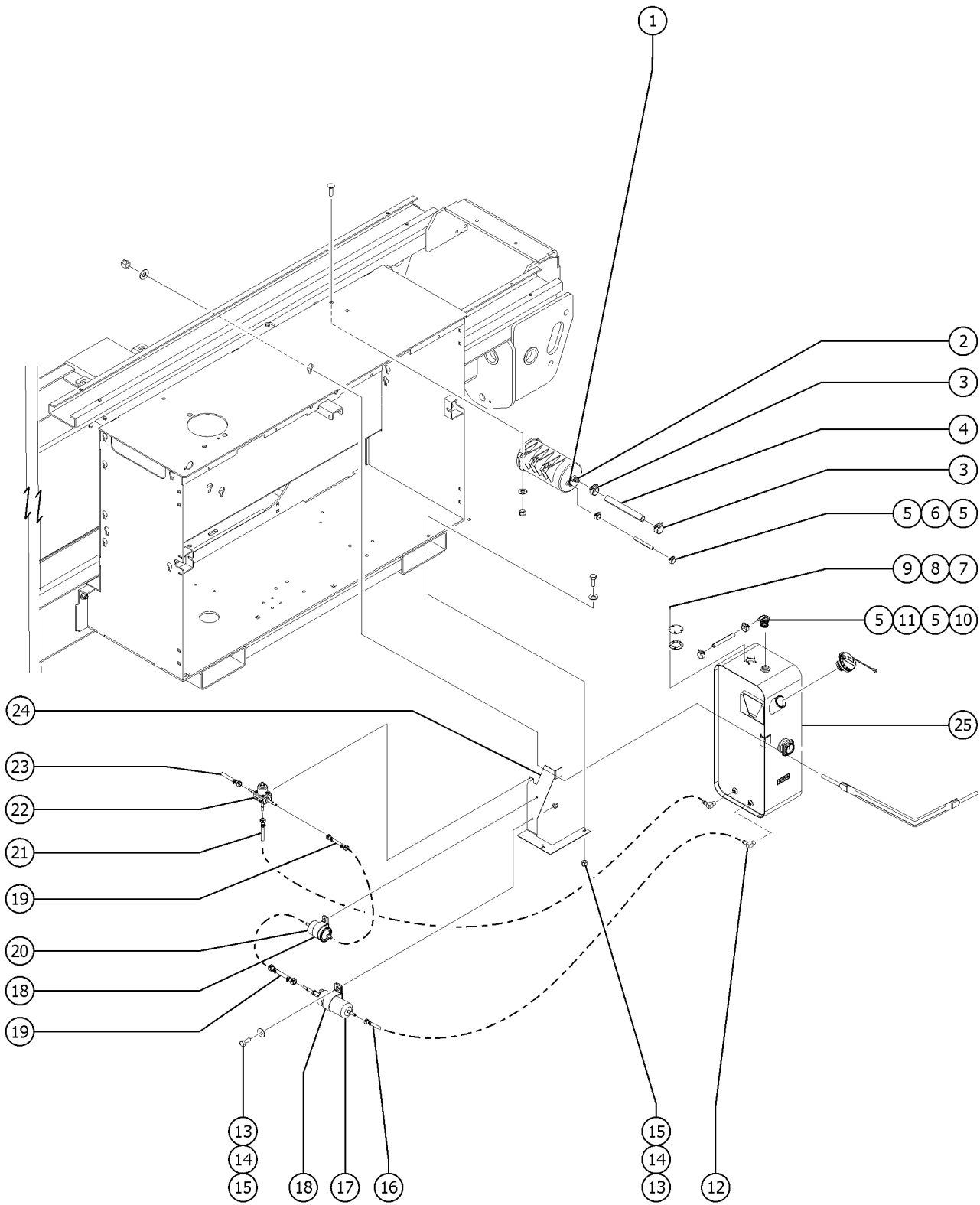


---

403.1 Hydraulic Tank And Ground Controls Installation  
(continued)

***This Page Intentionally Left Blank***

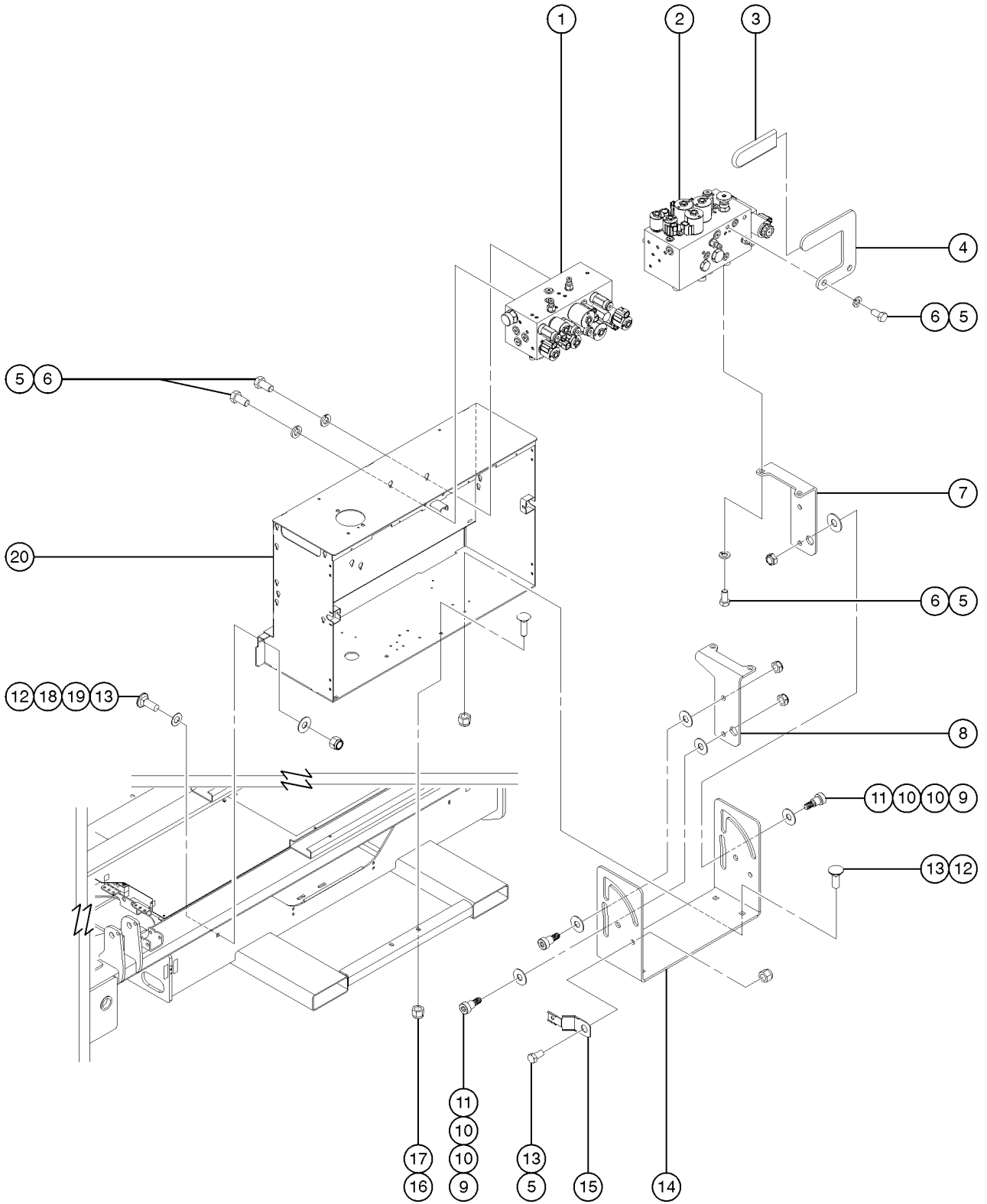
403.2 Gasoline Tank, Hoses and Fittings, GM 0.998L Engine



## 403.2 Gasoline Tank, Hoses and Fittings, GM 0.998L Engine

| Item | Part No.  | Description                             | Qty. |
|------|-----------|---|------|
| 1    | 1263199GT | CONN, 3/16" BARBED, 3/8" MNPT.....1     | 1    |
| 2    | 1263198GT | CONN, 1/2" BARBED, 3/8" FNPT.....1      | 1    |
| 3    | 46131GT   | CLAMP,HOSE,.63" - 1.0" X .5".....2      | 2    |
| 4    | 1263240GT | HOSE, FUEL, 1/2" ID, 10.00" LG.....1    | 1    |
| 5    | 44909GT   | CLAMP,HOSE,.35"-.86" X .3125".....10    | 10   |
| 6    | 233943GT  | HOSE, FUEL 3/16", 100"LG.....1          | 1    |
| 7    | 1251757GT | SCREW,PHPM,10-32X.50,ZAG.....6          | 6    |
| 8    | 1271772GT | CAP, TANK, FUEL SENSOR.....1            | 1    |
| 9    | 1271773GT | GASKET, TANK, FUEL SENSOR.....1         | 1    |
| 10   | 1262945GT | VALVE, ROLLOVER, 1/4" BARBED.....1      | 1    |
| 11   | 1263241GT | HOSE, FUEL, 1/4" ID, 16.00" LG.....1    | 1    |
| 12   | 34211GT   | ELBOW,90DEG.1/4 MPT-5/16 BARB....2      | 2    |
| 13   | 4828GT    | NUT,NYLOCK,3/8-16.....3                 | 3    |
| 14   | 6097GT    | WASHER,FLAT,USS,3/8",Y.....3            | 3    |
| 15   | 77692GT   | SCREW,HHC,3/8-16 X 1 GRD 8.....3        | 3    |
| 16   | 1272994GT | ASSY,FUEL HOSE,5/16"ID,14"L,FI.....1    | 1    |
| --   | 111819GT  | FITTING,SAE J2044F X5/16 BARB.....1     | 1    |
| --   | 1272587GT | HOSE,5/16",FUEL,EPA,FI.....14-INCHES    | 14   |
| --   | 44909GT   | CLAMP,HOSE,.35"-.86" X .3125".....1     | 1    |
| 17   | 1272018GT | PUMP, FUEL, GM .998L.....1              | 1    |
| 18   | 1272022GT | CLAMP,FUEL COMPONENTS,GM<br>.998L.....2 | 2    |
| 19   | 1272995GT | ASSY,FUEL HOSE,5/16"ID,10"L,FI.....2    | 2    |
| --   | 111819GT  | FITTING,SAE J2044F X5/16 BARB.....2     | 2    |
| --   | 1272587GT | HOSE,5/16",FUEL,EPA,FI.....10-INCHES    | 10   |
| --   | 44909GT   | CLAMP,HOSE,.35"-.86" X .3125".....2     | 2    |
| 20   | 1272019GT | FILTER, FUEL.....1                      | 1    |
| 21   | 1270996GT | ASSY,FUEL HOSE,5/16"ID,8"L,FI.....1     | 1    |
| --   | 111819GT  | FITTING,SAE J2044F X5/16 BARB.....1     | 1    |
| --   | 1272587GT | HOSE,5/16",FUEL,EPA,FI.....8-INCHES     | 8    |
| --   | 44909GT   | CLAMP,HOSE,.35"-.86" X .3125".....1     | 1    |
| 22   | 1272020GT | REGULATOR, FUEL, GM .998L.....1         | 1    |
| 23   | 1272997GT | ASSY,FUEL HOSE,5/16"ID,120",FI.....1    | 1    |
| --   | 111819GT  | FITTING,SAE J2044F X5/16 BARB.....2     | 2    |
| --   | 1272587GT | HOSE,5/16",FUEL,EPA,FI.....12-INCHES    | 12   |
| --   | 44909GT   | CLAMP,HOSE,.35"-.86" X .3125".....2     | 2    |
| 24   | 1272023GT | FORMING,FUEL COMPONENT,GM<br>.998.....1 | 1    |
| 25   | 148444GT  | ASSY,FUEL TANK,10 GAL,GS69.....1        | 1    |

404.1 Hydraulic Tray Components

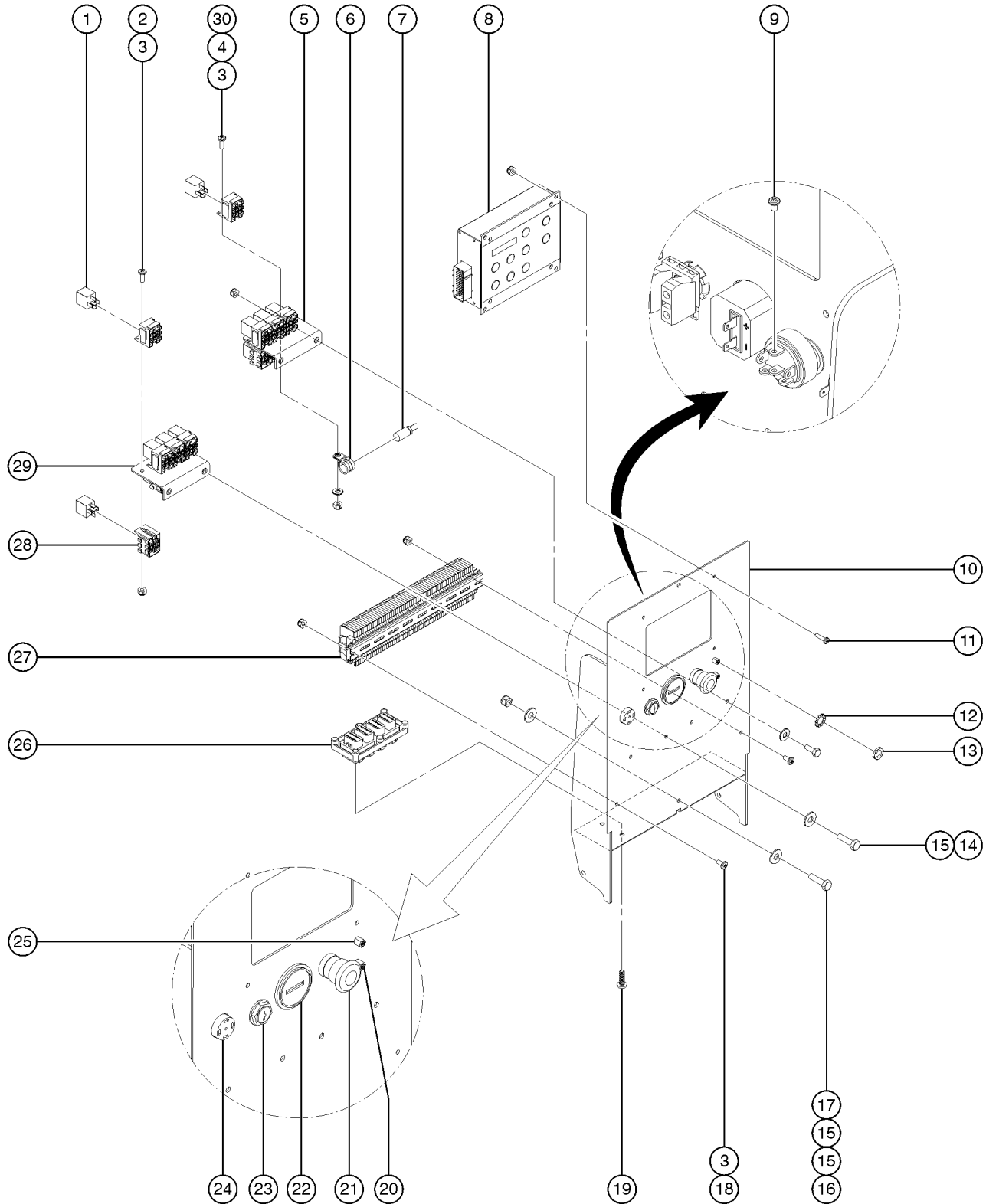




## 404.1 Hydraulic Tray Components

| Item | Part No.  | Description  | Qty. |
|------|-----------|--|------|
| 1    |           | Ref. Function Manifold<br>(refer to 701.1)                           |      |
| 2    |           | Ref. Traction Manifold<br>(refer to 702.1)                           |      |
| 3    | 44733GT   | HANDLE COVER,PLASTIC.....1   |      |
| 4A   | 226089GT  | MANIFOLD HANDLE,GS69.....1<br>(to SN 3661) (Genie blue)              |      |
| 4B   | 1254446GT | MANIFOLD HANDLE,GS69<br>(from SN 3662) (traffic black)               |      |
| 5    | 8255GT    | SCREW,HHC,3/8-16 X .75   |      |
| 6    | 58486GT   | WASHER,FLAT,3/8,HARDENED,YZ.....2                                    |      |
| 7A   | T111768GT | FORMING,TRACT MAN<br>MOUNT,RIGHT.....1<br>(to SN 3661) (Genie blue)  |      |
| 7B   | 1254444GT | FORMING,TRACT MAN MOUNT,RIGHT<br>(from SN 3662) (traffic black)      |      |
| 8A   | T111769GT | FORMING,TRACT MAN<br>MOUNT,LEFT.....1<br>(to SN 3661) (Genie blue)   |      |
| 8B   | 1254445GT | FORMING,TRACT MAN MOUNT,LEFT<br>(from SN 3662) (traffic black)       |      |
| 9    | 11335GT   | SCREW,SHS,3/8-16 X .5  |      |
| 10   | 87075GT   | WASHER,NYLON .50 X 1.25 X .063                                       |      |
| 11   | 7713GT    | NUT, LP NYLOCK, 3/8-16   |      |
| 12   | 64154GT   | BOLT,CARRIAGE,3/8-16 X1.00,G5  |      |
| 13   | 4828GT    | NUT,NYLOCK,3/8-16  |      |
| 14A  | T111767GT | FORMING,TRACTION MANIFOLD<br>BASE.....1<br>(to SN 3661) (Genie blue) |      |
| 14B  | 1254443GT | FORMING,TRACTION MANIFOLD BASE<br>(from SN 3662) (traffic black)     |      |
| 15   | 99346GT   | CLIP, METAL MOUNTING   |      |
| 16   | 6198GT    | NUT,NYLOCK,1/2-13  |      |
| 17   | 96203GT   | BOLT,CARRIAGE,1/2-13X1.75, G5  |      |
| 18   | 87684GT   | PUSH RETAINER, 3/8" SCREW  |      |
| 19   | 6097GT    | WASHER,FLAT,USS,3/8",Y   |      |
| 20A  | 131800GT  | WLDMT, HYD BOX GS69.....1<br>(to SN 3661) (Genie blue)               |      |
| 20B  | 1253426GT | WELDMENT,BOX,HYD.....1<br>(from SN 3662 to 11863) (traffic black)    |      |
| 20C  | 1278977GT | WELDMENT,BOX,IC,EPA.....1<br>(from 11864)                            |      |

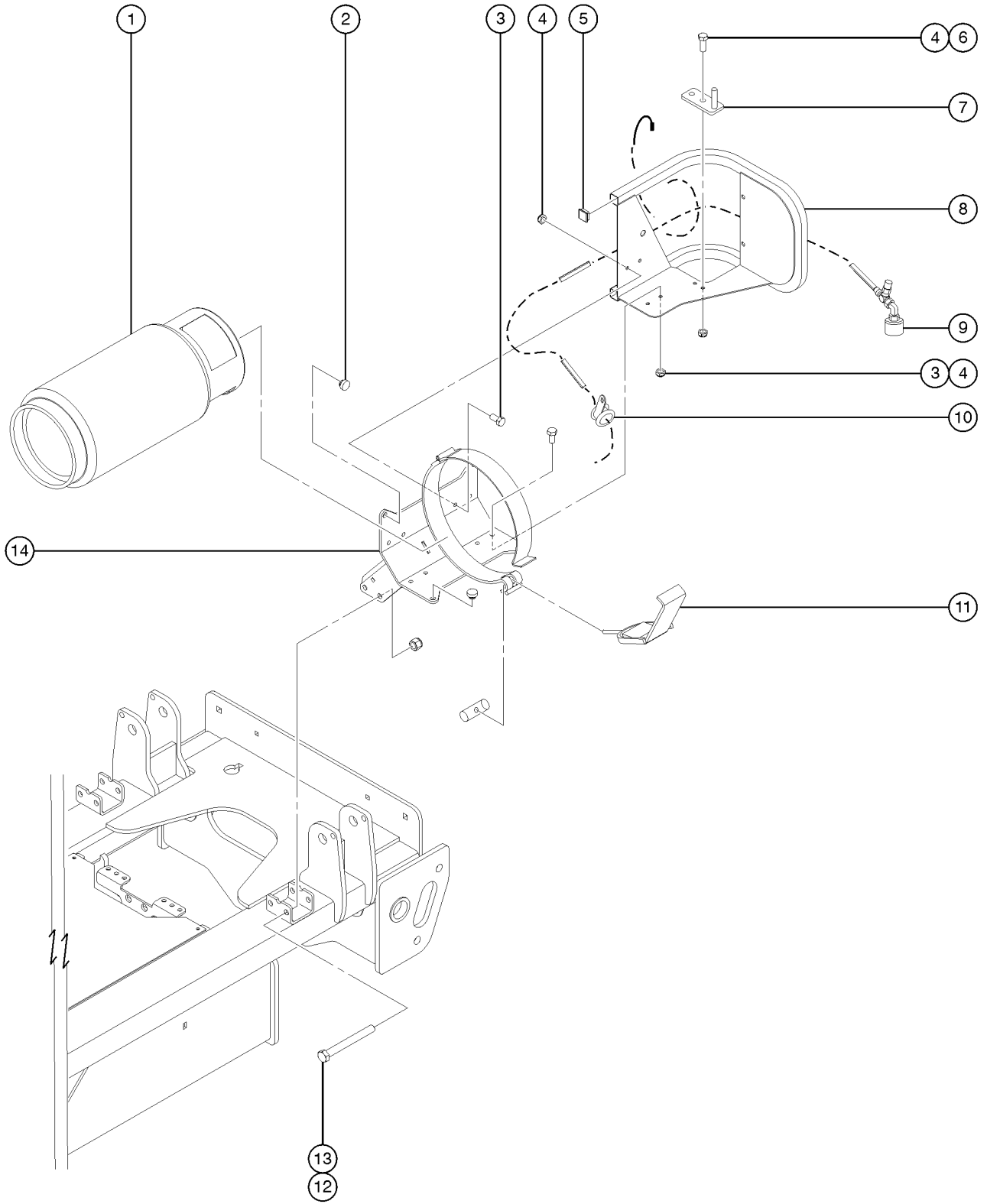
405.1 Ground Controls



## 405.1 Ground Controls

| Item | Part No.  | Description  | Qty. | Item | Part No.  | Description   | Qty. |
|------|-----------|--|------|------|-----------|---|------|
| --   | 13083GT   | DIODE, 3 AMP.....  | 4    | --   | 1272569GT | PLATE, SPACER, HOUR METER   |      |
| --   | 229291GT  | RESISTOR, 620 OHM 1/4 WATT.....  | 1    | 23   | 96008-SGT | KEYSWITCH,3 POS. W/KEYS***.....   | 1    |
| --   | 229435GT  | RESISTOR, 1000 OHM 1/4 WATT.....   | 2    | --   | 37947GT   | KEYS,10 PACK***   |      |
| --   | 232845GT  | KIT,BEACON RESISTOR,GS69.....  | 1    | --   | 83093GT   | KEY SINGLE***   |      |
| --   | 67504GT   | FUSE HOLDER,ATC 3-30 AMPS.....   | 1    | --   | 83131GT   | KEYSWITCH,3 POS W/KEYS,LOCKING  |      |
| --   | 69864GT   | FUSE,5 AMP,ATC.....  | 1    | --   | 96009GT   | WASHER,NITRILE  |      |
| --   | 148005GT  | ASSY,LCP,GS69.....<br><i>(must supply serial number to order this part) (includes control panel and harness, the LCP weldment will be black)</i> | 1    | 24   | 39540GT   | ALARM,STEADY TONE***.....   | 1    |
| 1    | 34052GT   | RELAY,SPDT,12V(AUTO) PLUG IN**.....  | 16   | 25   | 147091GT  | CIRCUIT BREAKER, 20A.....   | 1    |
| 2    | 49819GT   | SCREW,PHILLIPS,PHM,10-32 X .5.....   | 7    | 26   | 73736GT   | CONN,RECEP 48 WAY,4 X 12.....   | 2    |
| 3    | 6178GT    | NUT,NYLOCK,10-32.....  | 10   | 27   | T108147GT | TERMINAL RAIL,GS69.....   | 1    |
| 4    | 6146GT    | WASHER,FLAT,MS,#10,Y.....  | 1    | 28   | 34053GT   | ASSY,RELAY SOCKET, AUTO.....  | 13   |
| 5    | 54534GT   | ANGLE,RELAY<br>MNT,W/NUTSERTS,PNT.....   | 2    | 29   | T106699GT | BRACKET,RELAY MOUNT<br>W/INSERTS.....<br><i>bracket only; relay sold separately</i> | 1    |
| 6    | 45454GT   | CLAMP,RUB CUSH,0.75,#12 X 3/8*.....  | 1    | 30   | 49816GT   | SCREW,PHILLIPS,PHM,10-32 X .75.....   | 1    |
| --   | 49816GT   | SCREW,PHILLIPS,PHM,10-32 X .75.....  | 1    |      |           |   |      |
| 7A   | 99089GT   | CAPACITOR,4700MFD 25V.....   | 1    |      |           |   |      |
| 7B   | 1255881GT | CAPACITOR,1000UF,25V.....<br><i>replaced 99089 from SN GS6914-3738</i>   | 1    |      |           |   |      |
| 8    | 231084GT  | ECU,GS69 IC, GEN 2.....  | 1    |      |           |   |      |
| 9    | 96010GT   | SCREW,PHILLIPS,PHM,8-32 X .25**.....   | 5    |      |           |   |      |
| 10A  | 235182GT  | LOWER CONTROL PANEL<br>ASSY,GS69.....<br><i>to SN GS6914-3661</i>  | 1    |      |           |   |      |
| 10B  | 1254441GT | WELDMENT,LCP,GS69<br><i>(from SN GS6914-3662) (decals not included, refer to section 100)</i>  |      |      |           |   |      |
| 11   | 49816GT   | SCREW,PHILLIPS,PHM,10-32 X .75.....  | 4    |      |           |   |      |
| 12   | 6700GT    | WASHER,STAR,EXTERNAL,,.375.....  | 2    |      |           |   |      |
| 13   | 122994GT  | NICKEL PLATED JAM NUT.....   | 2    |      |           |   |      |
| 14   | 6090GT    | SCREW,HHC,1/4-20 X .75.....  | 4    |      |           |   |      |
| 15   | 6638GT    | WASHER,FLAT,USS,1/4"Y.....   | 6    |      |           |   |      |
| 16   | 6888GT    | SCREW,HHC,1/4-20 X 1.....  | 1    |      |           |   |      |
| 17   | 6091GT    | NUT,NYLOCK,1/4-20.....   | 1    |      |           |   |      |
| 18   | 49818GT   | SCREW,PHILLIPS,PHM,10-32 X .38.....  | 2    |      |           |   |      |
| 19   | 73803GT   | SCREW,SHM,PHP, #12 X .75.....  | 8    |      |           |   |      |
| 20   | 147090GT  | CIRCUIT BREAKER, 15A.....  | 1    |      |           |   |      |
| 21   | 66812GT   | BUTTON,PUSH,RED MUSHROOM<br>HEAD.....  | 1    |      |           |   |      |
| --   | 66817GT   | BASE WITH 1 NC CONTACT, E-STOP   |      |      |           |   |      |
| --   | 66818GT   | CONTACT, N.C.  |      |      |           |   |      |
| 22A  | 19506GT   | HOUR METER,10-80 VOLTS***.....<br><i>for models with Kubota and Perkins engines</i>  | 1    |      |           |   |      |
| 22B  | 1271076GT | DISPLAY,DIAGNOSTIC,J1939.....<br><i>for models with GM .998L engine</i>  | 1    |      |           |   |      |

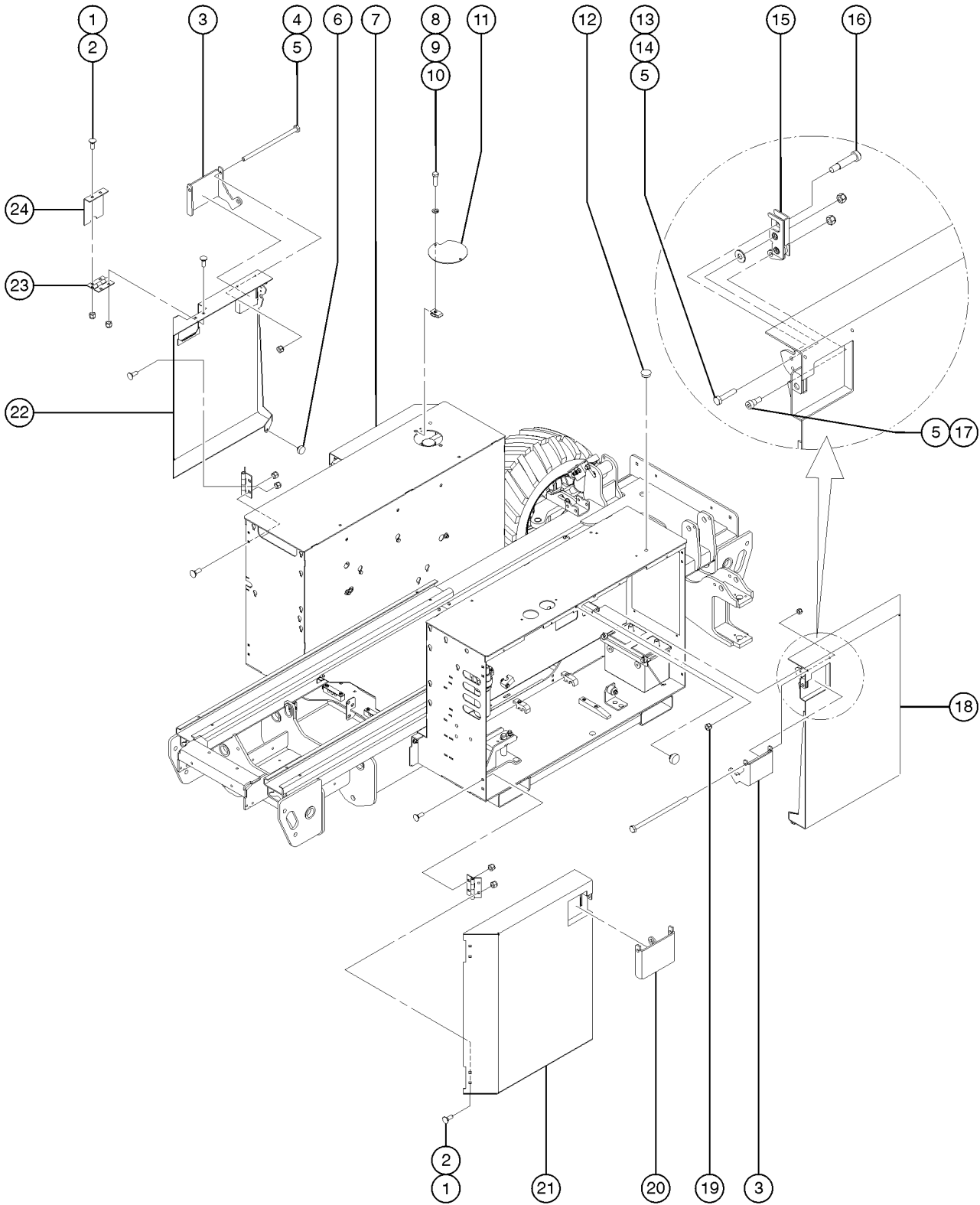
406.1 LPG Tank Installation



## 406.1 LPG Tank Installation

| Item | Part No.  | Description   | Qty. |
|------|-----------|---|------|
| A    | 1273249GT | HOSE ASSEMBLY,PROPANE,132"<br>(GM .998L)                          |      |
| 1    | 53605GT   | TANK, 7 GAL/33.5 POUND, LP.....1                                  |      |
| 2    | 47230GT   | BUMPER,RUBBER.....4   |      |
| 3    | 8255GT    | SCREW,HHC,3/8-16 X .75  |      |
| 4    | 7713GT    | NUT, LP NYLOCK, 3/8-16  |      |
| 5    | 78038GT   | CAP, TUBE, SQ,1.25 X .083.....2                                   |      |
| 6    | 6175GT    | SCREW,HHC,3/8-16 X 1  |      |
| 7A   | 51451GT   | WELDMENT,LP ALIGNMENT PIN*** .....1<br>(to SN 3661) (Genie blue)  |      |
| 7B   | 1254138GT | WELDMENT,LP ALIGNMENT PIN.....1<br>(from SN 3662) (traffic black) |      |
| 8A   | T109736GT | WELDMENT,LP GUARD,RIGHT.....1<br>(to SN 3661) (Genie blue)        |      |
| 8B   | 1254126GT | WELDMENT,LP GUARD,RIGHT.....1<br>(from SN 3662) (traffic black)   |      |
| 9    |           | Ref., HOSE ASSEMBLY.....1<br>refer to 302.1                       |      |
| 10   | 45454GT   | CLAMP,RUB CUSH,0.75,#12 X 3/8* .....1                             |      |
| 11   | 49000GT   | L.P.TANK LATCH.....1  |      |
| 12   | 13854GT   | SCREW,HHC,1/2-13 X 4.5,GRD.8.....2                                |      |
| 13   | 6198GT    | NUT,NYLOCK,1/2-13   |      |
| 14A  | 148105GT  | WELDMENT,LP CARRIER MOUNT.....1<br>(to SN 3661) (Genie blue)      |      |
| 14B  | 1254140GT | WELDMENT,LP CARRIER MOUNT.....1<br>(from SN 3662) (traffic black) |      |

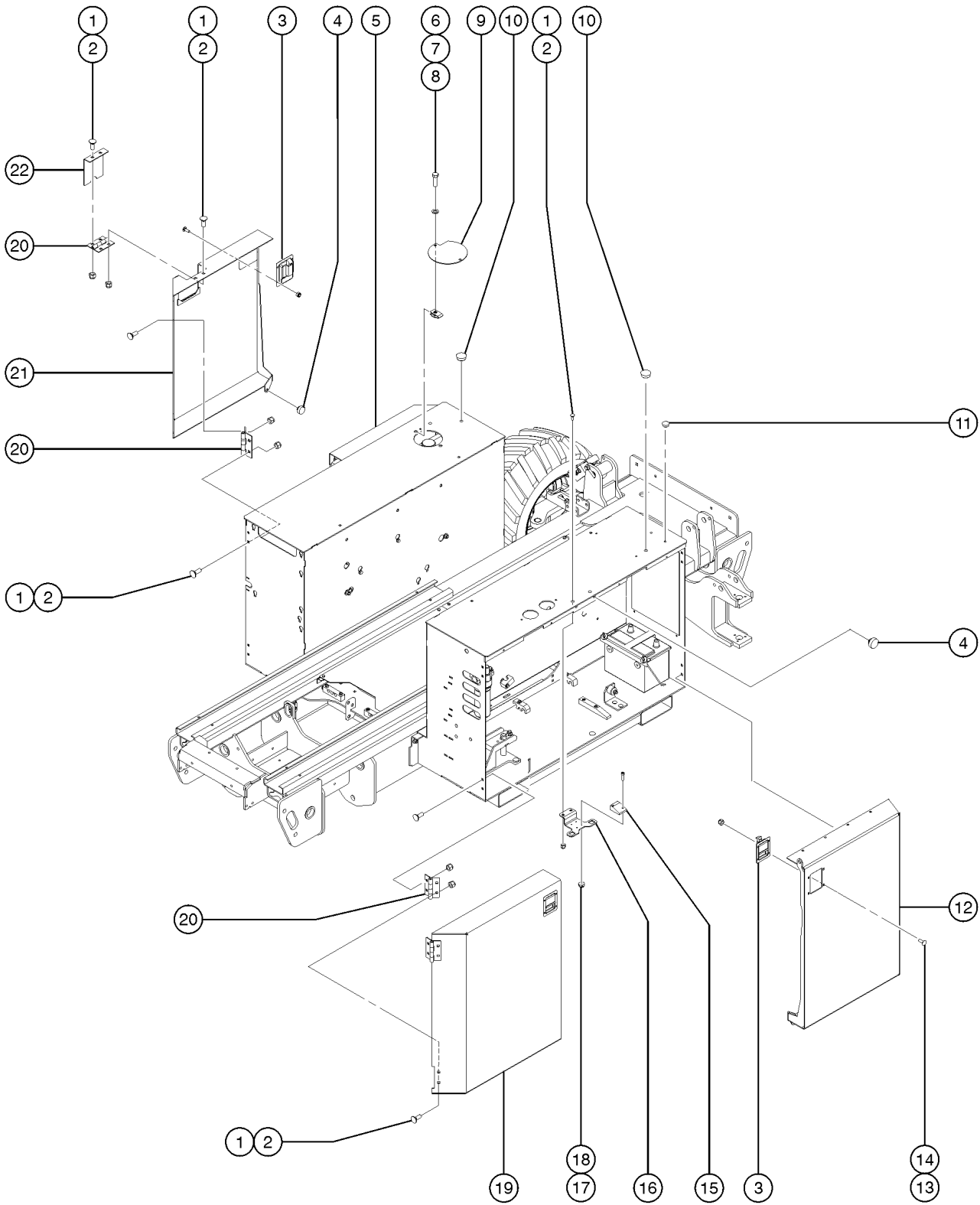
407.1 Chassis Cover Installation (to SN GS6914-3661)



## 407.1 Chassis Cover Installation (to SN GS6914-3661)

| Item | Part No. | Description  | Qty. | Item | Part No. | Description  | Qty. |
|------|----------|--|------|------|----------|--|------|
| 1    | 64154GT  | BOLT,CARRIAGE,3/8-16 X1.00,G5  |      | --   | 148461GT | WELDMENT,DOOR,HYD.BOX,GAS.....1<br><i>(decals not included, refer to section 100)</i>    |      |
| 2    | 4828GT   | NUT,NYLOCK,3/8-16  |      | --   | 235088GT | COVER ASSY,CNTRLS SIDE,RT,SY<br><i>(Asia &amp; S. America models with symbol decals)</i> |      |
| 3    | 131926GT | FORMING,DOOR LATCH<br>HANDLE,RT.....2  |      | 23   | 55517GT  | HINGE, GSRT90 BOX.....5  |      |
| 4    | 10744GT  | SCREW,HHC,1/4-20 X 5   |      | 24   | 148548GT | FORMING,GAS DOOR.....1   |      |
| 5    | 6889GT   | NUT,LP NYLOCK,1/4-20   |      |      |          |  |      |
| 6    | 43392GT  | BUMPER,BATTERY BOX & RAILS.....6   |      |      |          |  |      |
| 7    | 235082GT | COVER ASSY,CNTRLS SIDE,LT,WO<br><i>(ANSI, CSA &amp; Australia models with word decals)</i>   |      |      |          |  |      |
| --   | 131780GT | WELDMENT,BOX<br>DOOR,LEFT,WINDOW.....1<br><i>(decals not included, refer to section 100)</i> |      |      |          |  |      |
| --   | 235087GT | COVER ASSY,CNTRLS SIDE,LT,SY<br><i>(Asia, S. America and CE models with symbol decals)</i>   |      |      |          |  |      |
| 8    | 6019GT   | SCREW,HHC,3/8-16 X 1.25 GRD 5  |      |      |          |  |      |
| 9    | 6021GT   | WASHER,LOCK,.375   |      |      |          |  |      |
| 10   | 29868GT  | SPRING CLIP,3/8-16,.05-.20X.73,ZAG....2  |      |      |          |  |      |
| 11   | 131873GT | PLATE,HYD TANK FILLER COVER.....1  |      |      |          |  |      |
| 12   | 45384GT  | PLUG,NYLON .50 BLACK DOMED.....2   |      |      |          |  |      |
| 13   | 161805GT | SCREW,HHC,1/4-20 X 1.25, TAP   |      |      |          |  |      |
| 14   | 6638GT   | WASHER,FLAT,USS,1/4"Y  |      |      |          |  |      |
| 15   | 105319GT | LATCH,BATT/HYDR TRAY***.....4  |      |      |          |  |      |
| 16   | 131928GT | BOLT,SHLDR,3/8X1.25,5/16-18S/S   |      |      |          |  |      |
| 17   | 148291GT | BOLT,SHLDR,5/16X1/4X1/14-20S/S   |      |      |          |  |      |
| 18   | 235081GT | COVER ASSY,ENGINE SIDE,RT,WO<br><i>(ANSI, CSA &amp; Australia models with word decals)</i>   |      |      |          |  |      |
| --   | 131790GT | WELDMENT,BOX DOOR,RT.....1<br><i>(Asia &amp; S. America models with symbol decals)</i>       |      |      |          |  |      |
| --   | 235085GT | COVER ASSY,ENGINESIDE,RT,SY<br><i>(Asia, S. America and CE models with symbol decals)</i>    |      |      |          |  |      |
| 19   | 6782GT   | NUT,NYLOCK,5/16-18   |      |      |          |  |      |
| 20   | 131929GT | FORMING,DOOR LATCH HANDLE,LT...2   |      |      |          |  |      |
| 21   | 235080GT | COVER ASSY,ENGINE SIDE,LT,WO<br><i>(ANSI, CSA &amp; Australia models with word decals)</i>   |      |      |          |  |      |
| --   | 148226GT | WLDT,BOX DOOR,ENG,LT,GS68.....1<br><i>(decals not included, refer to section 100)</i>        |      |      |          |  |      |
| --   | 235084GT | COVER ASSY,ENGINE SIDE,LT,SY<br><i>(Asia &amp; S. America models with symbol decals)</i>     |      |      |          |  |      |
| --   | 235086GT | COVER ASSY,ENGINE SIDE,LT,SY,CE<br><i>(CE models with symbol decals)</i>                     |      |      |          |  |      |
| 22   | 235083GT | COVER ASSY,CNTRLS SIDE,RT,WO<br><i>(ANSI, CSA &amp; Australia models with word decals)</i>   |      |      |          |  |      |

407.2 Chassis Cover Installation (from SN GS6914-3662)

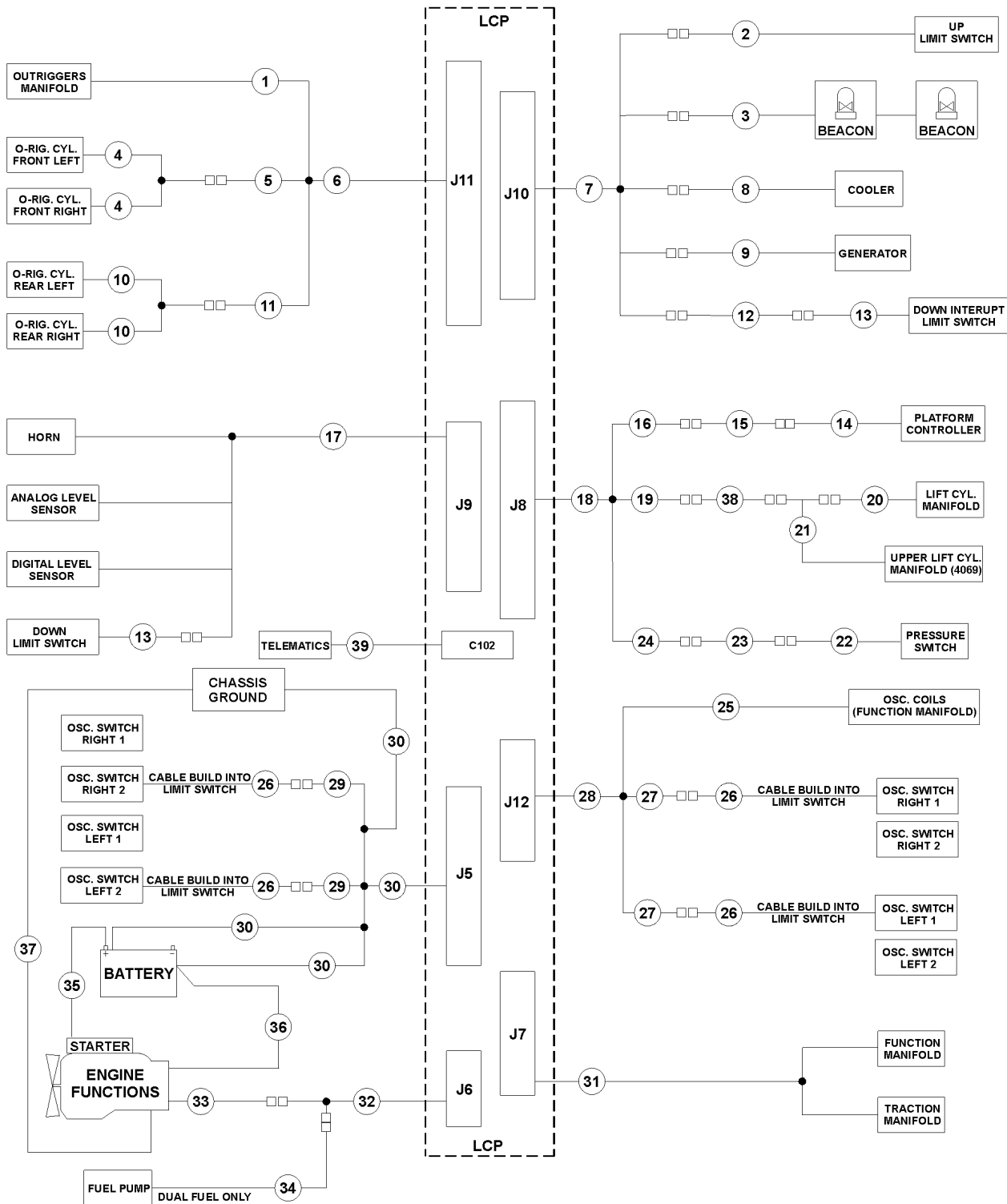




## 407.2 Chassis Cover Installation (from SN GS6914-3662)

| Item | Part No.  | Description  | Qty. |
|------|-----------|--|------|
| 1    | 64154GT   | BOLT,CARRIAGE,3/8-16 X1.00,G5  |      |
| 2    | 4828GT    | NUT,NYLOCK,3/8-16  |      |
| 3    | 55675GT   | LATCH, LRG PADDLE HANDLE GS90  |      |
| 4    | 43392GT   | BUMPER,BATTERY BOX & RAILS.....8   |      |
| 5    | 1253424GT | WELDMENT,BOX<br>DOOR,LT,WINDOW.....1<br><i>(decals not included, refer to section 100)</i> |      |
| 6    | 6019GT    | SCREW,HHC,3/8-16 X 1.25 GRD 5  |      |
| 7    | 6021GT    | WASHER,LOCK,.375   |      |
| 8    | 29868GT   | SPRING CLIP,3/8-16,.05-.20X.73,ZAG   |      |
| 9    | 1254428GT | PLATE,HYD TANK FILLER COVER.....1  |      |
| 10   | 45384GT   | PLUG,NYLON .50 BLACK DOMED.....2   |      |
| 11   | 81329GT   | PLUG,ALARM BEACON HOLE.....4   |      |
| 12   | 1253422GT | WELDMENT,BOX DOOR,RT.....1<br><i>(decals not included, refer to section 100)</i>           |      |
| 13   | 6878GT    | BOLT,CARRIAGE,1/4-20 X .75,G2  |      |
| 14   | 6091GT    | NUT,NYLOCK,1/4-20  |      |
| 15   | 1253479GT | SLIDE BLOCK,DOOR WEDGE,HDPE....2<br><i>1 of 2 shown</i>                                    |      |
| 16   | 1253349GT | FORMING, LATCH CATCH.....2<br><i>1 of 2 shown</i>  |      |
| 17   | 14392GT   | NUT,LP NYLOCK,10-32  |      |
| 18   | 219112GT  | SCREW,SHC,10-32 X .75  |      |
| 19   | 1253423GT | WELDMENT,BOX DOOR,LT.....1<br><i>(decals not included, refer to section 100)</i>           |      |
| 20   | 55517GT   | HINGE, GSRT90 BOX.....9  |      |
| 21   | 1253425GT | WELDMENT,BOX DOOR,RT,FUEL.....1<br><i>(decals not included, refer to section 100)</i>      |      |
| 22   | 1254427GT | FORMING,GAS DOOR.....1   |      |

408.1 Electrical Wiring and Power Cables



## 408.1 Electrical Wiring and Power Cables

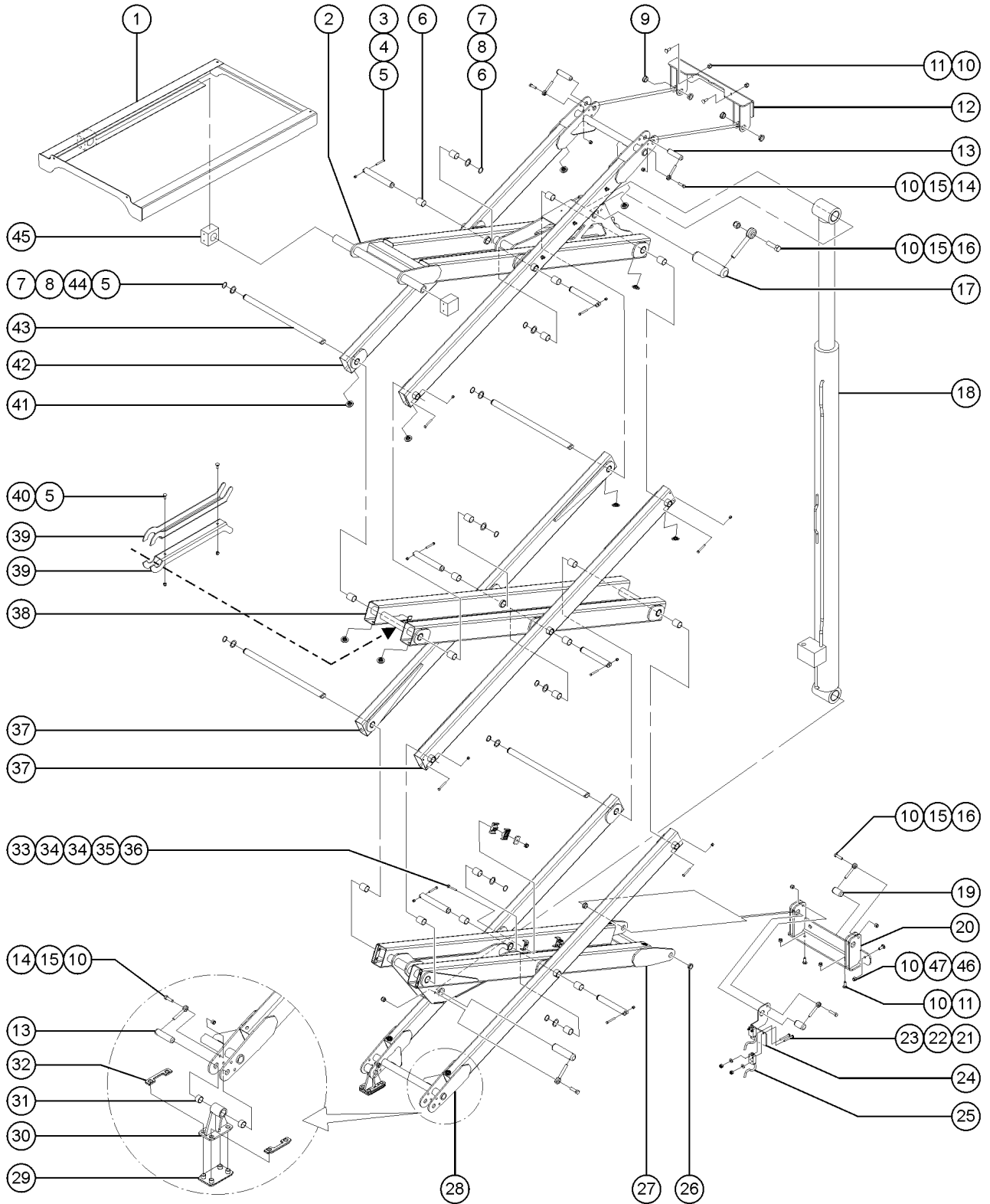
| Item | Part No.  | Description  | Qty. | Item | Part No.  | Description   | Qty. |
|------|-----------|--|------|------|-----------|---|------|
| A    | 1264822GT | KIT, TRC RETROFIT, STNDRD<br><i>Telematics (includes 1264834)</i>                                |      | 20A  | 148086GT  | CABLE,DOWN COILS,GS3369.....1<br><i>GS-2669 and GS-3369, to SN 7719</i>                         |      |
| --   | 1264834GT | INSTRN, TRC RETROFIT, STNDRD   |      | 20B  | 1259447GT | CABLE,PROP. DOWN COIL 26/3369<br><i>from 7720</i>   |      |
| 1    | 148068GT  | HARNESS,O/R MNFLD,GS69.....1   |      | 21A  | 148087GT  | CABLE,DOWN COILS,GS4069.....1<br><i>GS-4069, to SN 7719</i>                                     |      |
| 2A   | T114634GT | HARNESS,UP LIMIT SWITCH.....1<br><i>to SN 1755</i>   |      | 21B  | 1259448GT | CABLE,PROP. DOWN COIL 4069<br><i>from 7720</i>  |      |
| 2B   | 160566GT  | HARNESS, UP LIMIT SWITCH.....1<br><i>from SN 1756</i>  |      | 22   | 104571GT  | HARNESS,PRESS.SWITCH.....1  |      |
| 3A   | 148076GT  | HARNESS,BEACON,GS69.....1<br><i>to SN GS6916F-9067</i>   |      | 23   | T109749GT | CABLE,PRESSURE SWITCH.....1   |      |
| 3B   | 1267806GT | HARNESS, LED BEACON, GS69<br><i>from SN GS6916F-9068</i>   |      | 24   | T109748GT | HARNESS,PRESSURE SWITCH.....1<br><i>to SN 7719</i>  |      |
| 4    | 148090GT  | HARNESS,OUTRIGGERS,FRNT,GS69..1  |      | 25   | 148088GT  | HARNESS,OSC.MNFLD,GS69.....1  |      |
| 5    | 148069GT  | CABLE,OUTRIGGER,FRNT,GS69.....1  |      | 26   | 148414GT  | HARNESS,OSC SWITCH REAR.....1   |      |
| 6A   | T109746GT | HARNESS,OUTRIGGER,J1,GS69.....1<br><i>(includes items 1, 5, and 11) (to SN<br/>GS6913-2102)</i>  |      | 27   | 148210GT  | ASSY,LIMITSWITCH,OSC.AXLE,GS69..1   |      |
| 6B   | 161213GT  | HARNESS, OR HARNESS, J11.....1<br><i>(includes items 1, 5, and 11) (from SN<br/>GS6913-2103)</i> |      | 28   | T109747GT | HARNESS,OSCILLATE,J12,GS69.....1  |      |
| 7    | T109743GT | HARNESS,OPTIONS,J10,GS69.....1   |      | 29   | 148077GT  | HARNESS,OSC LIMIT SWITCH 2.....2  |      |
| 8    | 148080GT  | HARNESS,OIL COOLER,GS69.....1  |      | 30A  | 148075GT  | HARNESS,BATTERY.....1<br><i>(to SN GS6913-2102)</i>   |      |
| 9    | 148081GT  | HARNESS,GENERATOR,GS69.....1   |      | 30B  | 161214GT  | HARNESS, BATTERY, J5.....1<br><i>(from SN GS6913-2103)</i>                                      |      |
| 10   | 148091GT  | HARNESS,OUTRIGGERS,REAR,GS69.1   |      | 31   | 148089GT  | CABLE,FUNCTION MANIFOLD,GS69....1   |      |
| 11   | 148070GT  | CABLE,OUTRIGGER,REAR,GS69.....1  |      | 32   | 148093GT  | HARNESS,ENGINE,IC.....1   |      |
| 12   | T109750GT | CABLE,DWN INT LIMIT SWITCH.....1   |      | 33A  | 148072GT  | HARNESS,ENGINE,DIESEL.....1<br><i>(Kubota D1105 Engine)</i>                                     |      |
| 13A  | 148092GT  | HARNESS,DOWN LIMIT<br>SENSOR,GS69.....1<br><i>to SN GS6916F-9067</i>                             |      | 33B  | 148073GT  | HARNESS, ENGINE, DUAL FUEL.....1<br><i>(Kubota WG-972-E3 Engine) (to SN<br/>GS6916F-9100)</i>   |      |
| 13B  | 1267113GT | LIMIT SWITCH, DOWN, ASSY, GS69.....1<br><i>from SN GS6916F-9068</i>                              |      | 33C  | 148074GT  | HARNESS, ENGINE, PERKINS.....1<br><i>(Perkins 403D-11 Engine)</i>                               |      |
| 14A  | 148082GT  | CABLE,CONTROL,GS2669.....1<br><i>GS-2669 (420 inches, base to platform)</i>                      |      | 33D  | 1271832GT | HARNESS, BI-FUEL .998L<br><i>(GM .998L Engine) (from SN<br/>GS6916F-9101)</i>                   |      |
| 14B  | 148083GT  | CABLE,CONTROL,BASE,GS3369.....1<br><i>GS-3369 (542 inches, base to platform)</i>                 |      | 33E  | 1269676GT | HARNESS, ENGINE, GS69 DUAL FUEL<br><i>(dual-fuel engines) (from SN<br/>GS6916F-9101)</i>        |      |
| 14C  | 148084GT  | CABLE,CONTROL,BASE,GS4069.....1<br><i>GS-4069</i>  |      | 34   | 148078GT  | HARNESS,FUEL PUMP,DUAL FUEL....1  |      |
| 15   | 148079GT  | CABLE,CONTROL JUMPER,GS69.....1  |      | 35A  | 160905GT  | CABLE ASSY, B+ TO STRT, GS69IC.....1<br><i>(Kubota and Perkins Engines)</i>                     |      |
| 16   | 148206GT  | CABLE,CONTROL,BASE,GS69.....1<br><i>to SN 7719</i>   |      | 35B  | 1273254GT | CABLE ASSY, STARTER, PSI<br>ENGINE.....1<br><i>(GM .998L Engine) (from SN<br/>GS6916F-9156)</i> |      |
| 17A  | 148071GT  | HARNESS,LEVEL SENSOR,GS69.....2<br><i>to SN GS6916F-9067</i>                                     |      | 36   | 160906GT  | CABLE ASSY, ENG TO B-, GS69IC.....1   |      |
| 17B  | 1267270GT | HARNESS, J9, GS69IC.....2<br><i>from SN GS6916F-9068</i>   |      | 37   | 160907GT  | CABLE ASSY, ENG. TO GRD,<br>GS69IC.....1  |      |
| 18A  | T109738GT | HARNESS,LINKS,J8.....2<br><i>to SN 7719</i>  |      | 38A  | 1259499GT | HARNESS, PROP, DOWN, GS69<br><i>(to SN GS6915-6383)</i>   |      |
| 18B  | 1266174GT | HARNESS, LINKS, GS69IC<br><i>from 7720</i>   |      | 38B  | 215919GT  | PROGRAMMING CABLE,DELTA TECH**<br><i>(to SN GS6915-6383)</i>                                    |      |
| 19   | 148094GT  | HARNESS,DOWN COIL.....1<br><i>to SN 7719</i>   |      |      |           |   |      |

### 408.1 Electrical Wiring and Power Cables (continued)

| Item | Part No.  | Description  | Qty. |
|------|-----------|--|------|
| 38C  | 1256129GT | HARNES,MORAY,RT<br><i>HERTZ MODELS</i>                                       |      |
| 38D  | 215919GT  | PROGRAMMING CABLE,DELTATECH**<br><i>(from SN GS6915-6384 to GS6915-6988)</i> |      |
| 38E  | 1260192GT | FLASH DRIVE, GS69 IC SW<br><i>(from SN GS6915-6384 to GS6915-6988)</i>       |      |
| 38F  | 1259447GT | CABLE,PROP. DOWN COIL 26/3369<br><i>(from GS6915-6989)</i>                   |      |
| 38G  | 1259448GT | CABLE,PROP. DOWN COIL 4069<br><i>(from GS6915-6989)</i>                      |      |
| 39   | 1256130GT | TELEMATICS LEADS, GS69RT.....1   |      |
| --   | 67504GT   | FUSE HOLDER,ATC 3-30 AMPS  |      |
| --   | 69864GT   | FUSE,5 AMP,ATC   |      |

*This Page Intentionally Left Blank*

501.1 Scissor Components, GS-2669 RT



## 501.1 Scissor Components, GS-2669 RT

| Item | Part No.  | Description  | Qty. | Item | Part No.  | Description  | Qty. |
|------|-----------|--|------|------|-----------|--|------|
| 1    |           | Ref. Platform Spacer Weldment.....1<br>(refer to 601.1)                                    | 1    | 27B  | 1256586GT | ASSY,LINK,INNER #1,GRAY,GS69.....1<br>(from SN 3662) (Genie blue) (includes item #6 and #26)         | 1    |
| 2A   | 112127GT  | ASSY,LINK,INNER #3,BLUE,2669.....1<br>(to SN 3661) (Genie grey) (includes item #6)         | 1    | 28A  | 112070GT  | WELDMENT,LINK,OUTER #1.....1<br>(to SN 3661) (Genie grey)  | 1    |
| 2B   | 1256588GT | ASSY,LINK,INNER #3,GRAY,2669.....1<br>(from SN 3662) (Genie blue) (includes item #6)       | 1    | 28B  | 1254190GT | WELDMENT,LINK,OUTER #1.....1<br>(from SN 3662) (Genie blue)  | 1    |
| 3    | 14033GT   | SCREW,HHC,3/8-16 X 2.75.....6  | 6    | 29   | 112099GT  | WEAR PAD,SLIDER FOOT,LOWER.....2   | 2    |
| 4    | 148433GT  | PIN,CENTER LINK,GS69.....9   | 9    | 30A  | 131903GT  | WELDMENT,SLIDER FOOT, GS2669.....2<br>(to SN 3661) (Genie grey)                                      | 2    |
| 5    | 4828GT    | NUT,NYLOCK,3/8-16.....12   | 12   | 30B  | 1254208GT | WELDMENT,SLIDER FOOT, GS2669.....2<br>(from SN 3662) (Genie blue)                                    | 2    |
| 6    | T108138GT | BEARING,1.50IDX1.75ODX2.00L.....20   | 20   | 31   | 30434GT   | BEARING,1.25IDX1.50ODX0.88L.....4  | 4    |
| 7    | 18383GT   | SNAP RING,EXTERNAL,1.5 DIA***.....10   | 10   | 32   | 112100GT  | WEAR PAD,SLIDER FOOT,UPPER.....4   | 4    |
| 8    | T108139GT | WASHER,FLAT,1.510X2.125.....10   | 10   | 33   | 73464GT   | BOLT,CARRIAGE,1/4-20 X 1.75,G2.....4   | 4    |
| 9    | 112375GT  | BEARING,FL,1.25IDX1.50ODX.44LG.....4   | 4    | 34   | 78736GT   | CLAMP,2 HOSE,PLASTIC,5/8.....8   | 8    |
| 10   | 6198GT    | NUT,NYLOCK,1/2-13.....14   | 14   | 35   | 228103GT  | PLATE,BACKING,LINKS.....4  | 4    |
| 11   | 96977GT   | BOLT,CARRIAGE,1/2-13X1.50,GR5.....6  | 6    | 36   | 6889GT    | NUT,LP NYLOCK,1/4-20.....4   | 4    |
| 12   |           | Ref. Platform Pivot Weldment,<br>GS-2669.....1<br>(refer to 601.1)                         | 1    | 37A  | 235092GT  | ARM, 2ND OUTER,W/BEARINGS,WO...2<br>(ANSI, CSA & Australia models with word decals)                  | 2    |
| 13   | 112115GT  | PIN,1.25 DIA X 5.00 LG,1 HOLE.....4  | 4    | --   | 235093GT  | ARM, 2ND OUTER,W/BEARINGS,SY...2<br>(Asia, S. America and CE models with symbol decals)              | 2    |
| 14   | 22788GT   | SCREW,HHC,1/2-13 X 1.75.....4  | 4    | --   | T108137GT | WLDMT,LINK,OUTER,#2.....1<br>(to SN 3661) (Genie grey) (decals not included, refer to section 100)   | 1    |
| 15   | 1256267GT | ROD END,.5 X 3.75,ZAG.....8  | 8    | 37B  | 1254204GT | WLDMT,LINK,OUTER,#2.....1<br>(from SN 3662) (Genie blue) (decals not included, refer to section 100) | 1    |
| 16   | 6096GT    | SCREW,HHC,1/2-13 X 2 GR5.....4   | 4    | 38A  | 235094GT  | ARM,2ND INNER<br>ASSY,W/BEARINGS.....1<br>(models with word & symbol decals)                         | 1    |
| 17   | 112121GT  | PIN, CYLINDER, LONG.....2  | 2    | --   | 112124GT  | ASSY,LINK,INNER #2,BLUE,GS69.....1<br>(to SN 3661) (Genie grey) (includes item #6)                   | 1    |
| 18   |           | Ref. Lift Cylinders<br>(refer to 705.1)  |      | 38B  | 1256587GT | ASSY,LINK,INNER #2,GRAY,GS69.....1<br>(from SN 3662) (Genie blue) (includes item #6)                 | 1    |
| 19   | 112116GT  | PIN,1.50 DIA X 2.75 LG,1 HOLE.....2  | 2    | 39   | 1254192GT | FORMING, SAFETY ARM.....2<br>(from SN 3662) (Genie blue)   | 2    |
| 20A  | 131899GT  | WELDMENT,CHASSIS LINK<br>PVT,2669.....1<br>(to SN 3661) (Genie grey)                       | 1    | 40   | 64154GT   | BOLT,CARRIAGE,3/8-16 X1.00,G5.....2  | 2    |
| 20B  | 1254207GT | WELDMENT,CHASSIS LINK<br>PVT,2669.....1<br>(from SN 3662) (Genie blue)                     | 1    | 41   | T109734GT | BUMPER,LINKS,GS69.....16   | 16   |
| 21   | 49821GT   | SCREW,PHILLIPS,PHM,8-32 X 1.25.....4   | 4    | 42A  | 112076GT  | WELDMENT,LINK,TOP OUTER,GS69....1<br>(to SN 3661) (Genie grey)                                       | 1    |
| 22   | 35461GT   | WASHER,FLAT,MS,#8,Y.....4  | 4    | 42B  | 1254199GT | WELDMENT,LINK,TOP OUTER,GS69....1<br>(from SN 3662) (Genie blue)                                     | 1    |
| 23   | 18605GT   | NUT,NYLOCK,8-32.....4  | 4    | 43   | 148434GT  | PIN,END LINK,GS69.....4  | 4    |
| 24A  | 148317GT  | FORMING,DOWN LIMIT SWITCH<br>MNT.....1<br>(to SN 3661) (Genie grey)                        | 1    | 44   | 6326GT    | SCREW,HHC,3/8-16 X 3.....4   | 4    |
| 24B  | 1254202GT | FORMING,DOWN LIMIT SWITCH<br>MNT.....1<br>(from SN 3662) (Genie blue)                      | 1    | 45   | 112708GT  | SLIDER BLOCK, GS69.....2   | 2    |
| 25   | 148236GT  | SWITCH,LIMIT,PLUNGER,SMALL.....2   | 2    |      |           |  |      |
| 26   | 112350GT  | BRG,FL,1.5ID X 1.75OD X .5 LG.....2  | 2    |      |           |  |      |
| 27A  | 112123GT  | ASSY,LINK,INNER #1,BLUE,GS69.....1<br>(to SN 3661) (Genie grey) (includes item #6 and #26) | 1    |      |           |  |      |

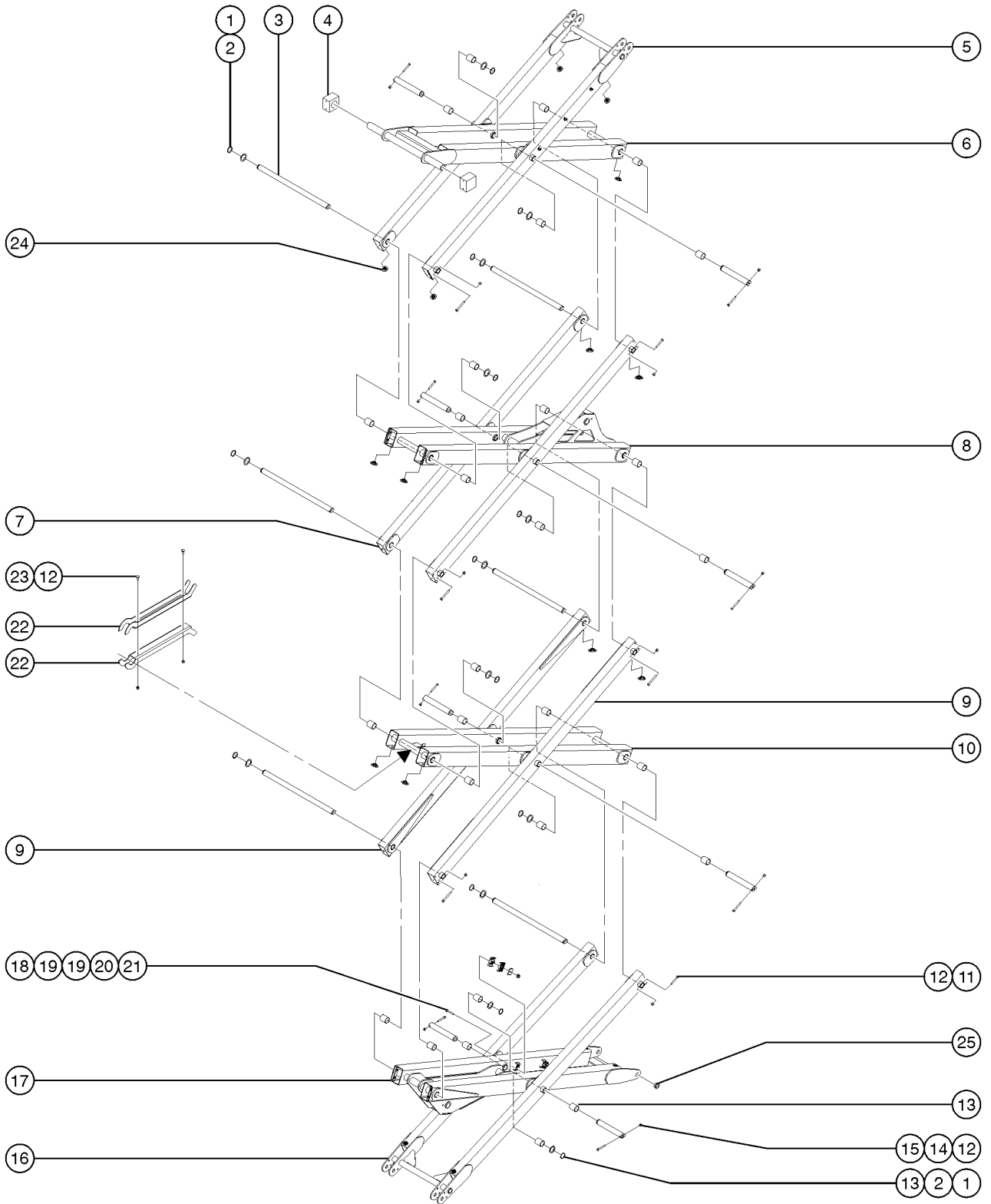
501.1 Scissor Components, GS-2669 RT  
(continued)

| Item | Part No. | Description                   | Qty. |
|------|----------|-------------------------------|------|
| 46   | 96203GT  | BOLT,CARRIAGE,1/2-13X1.75, G5 |      |
| 47   | 6095GT   | WASHER,FLAT,USS,1/2",Y        |      |



*This Page Intentionally Left Blank*

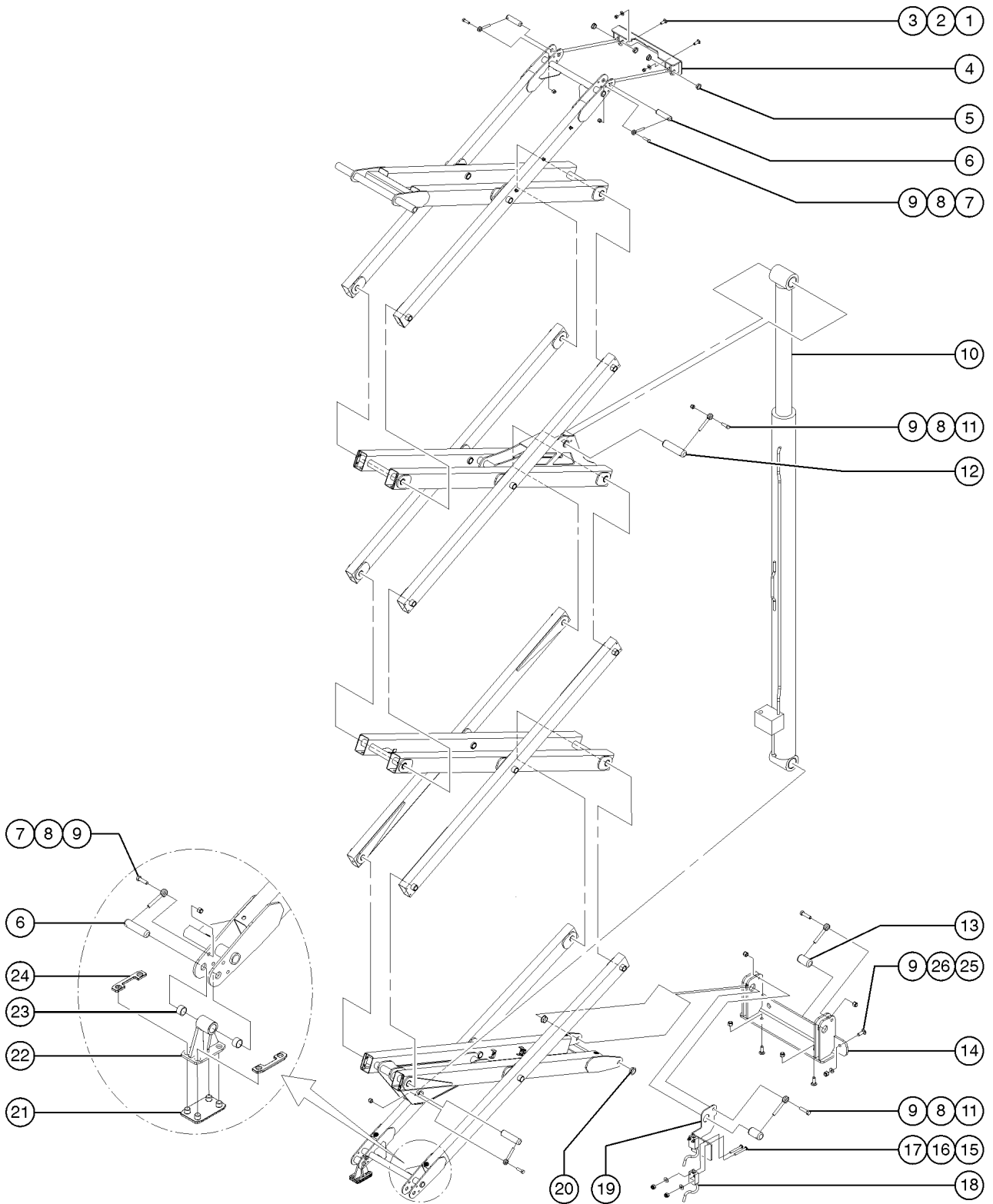
502.1 Scissor Components, GS-3369 RT, View 1



## 502.1 Scissor Components, GS-3369 RT, View 1

| Item | Part No.  | Description  | Qty. | Item | Part No.  | Description  | Qty. |
|------|-----------|--|------|------|-----------|--|------|
| 1    | 18383GT   | SNAP RING,EXTERNAL,1.5 DIA***.....   | 14   | 16A  | 112070GT  | WELDMENT,LINK,OUTER #1.....<br><i>(to SN 3661) (Genie grey)</i>                                    | 1    |
| 2    | T108139GT | WASHER,FLAT,1.510X2.125.....   | 14   | 16B  | 1254190GT | WELDMENT,LINK,OUTER #1<br><i>(from SN 3662) (Genie blue)</i>                                       |      |
| 3    | 148434GT  | PIN,END LINK,GS69.....   | 6    | 17A  | 112123GT  | ASSY,LINK,INNER #1,BLUE,GS69.....<br><i>(to SN 3661) (Genie grey) (includes items #13 and #25)</i> | 1    |
| 4    | 112708GT  | SLIDER BLOCK, GS69.....  | 2    | 17B  | 1256586GT | ASSY,LINK,INNER #1,GRAY,GS69<br><i>(from SN 3662) (Genie blue) (includes items #13 and #25)</i>    |      |
| 5A   | 112076GT  | WELDMENT,LINK,TOP OUTER,GS69....<br><i>(to SN 3661) (Genie grey)</i>   | 1    | 18   | 73464GT   | BOLT,CARRIAGE,1/4-20 X 1.75,G2   |      |
| 5B   | 1254199GT | WELDMENT,LINK,TOP OUTER,GS69<br><i>(from SN 3662) (Genie blue)</i>   |      | 19   | 78736GT   | CLAMP,2 HOSE,PLASTIC,5/8.....  | 8    |
| 6A   | 112134GT  | ASSY,LINK,INR #4-3369,#5-4069.....<br><i>(to SN 3661) (Genie grey) (includes item #13)</i>   | 1    | 20   | 228103GT  | PLATE,BACKING,LINKS.....   | 4    |
| 6B   | 1256593GT | ASSY,LINK,INR #4-3369,#5-4069<br><i>(from SN 3662) (Genie blue) (includes item #13)</i>  |      | 21   | 6889GT    | NUT,LP NYLOCK,1/4-20.....  | 4    |
| 7A   | 112072GT  | WELDMENT,LINK,OUTER #2,3,4.....  | 2    | 22   | 1254192GT | FORMING, SAFETY ARM.....   | 2    |
| 7B   | 1254198GT | WELDMENT,LINK,OUTER #2,3,4   |      | 23   | 64154GT   | BOLT,CARRIAGE,3/8-16 X1.00,G5.....   | 2    |
| 8A   | 131687GT  | ASSY,LINK,INNER #3,BLUE,3369.....<br><i>(to SN 3661) (Genie grey) (includes item #13)</i>  | 1    | 24   | T109734GT | BUMPER,LINKS,GS69  |      |
| 8B   | 1256594GT | ASSY,LINK,INNER #3,GRAY,3369<br><i>(from SN 3662) (Genie blue) (includes item #13)</i>   |      | 25   | 112350GT  | BRG,FL,1.5ID X 1.75OD X .5 LG  |      |
| 9A   | 235092GT  | ARM, 2ND OUTER,W/BEARINGS,WO...<br><i>(ANSI, CSA &amp; Australia models with word decals) (to SN 3661) (Genie grey)</i>              | 2    |      |           |  |      |
| --   | T108137GT | WLDMT,LINK,OUTER,#2.....<br><i>(decals not included, refer to section 100) (Genie grey)</i>  | 1    |      |           |  |      |
| 9B   | 235093GT  | ARM, 2ND OUTER,W/BEARINGS,SY...<br><i>(Asia, S. America and CE models with symbol decals) (to SN 3661) (Genie grey)</i>              | 2    |      |           |  |      |
| --   | T108137GT | WLDMT,LINK,OUTER,#2.....<br><i>(decals not included, refer to section 100) (Genie grey)</i>  | 1    |      |           |  |      |
| 9C   | 1254204GT | WLDMT,LINK,OUTER,#2<br><i>(decals not included, refer to section 100) (from SN 3662) (Genie blue)</i>                                |      |      |           |  |      |
| 10A  | 235094GT  | ARM,2ND INNER<br>ASSY,W/BEARINGS.....<br><i>(models with word &amp; symbol decals) (to SN 3661) (Genie grey) (includes item #13)</i> | 1    |      |           |  |      |
| --   | 112124GT  | ASSY,LINK,INNER #2,BLUE,GS69.....<br><i>(Genie grey) (includes item #13)</i>   | 1    |      |           |  |      |
| 10B  | 1256587GT | ASSY,LINK,INNER #2,GRAY,GS69<br><i>(from SN 3662) (Genie blue) (includes item #13)</i>   |      |      |           |  |      |
| 11   | 6326GT    | SCREW,HHC,3/8-16 X 3   |      |      |           |  |      |
| 12   | 4828GT    | NUT,NYLOCK,3/8-16  |      |      |           |  |      |
| 13   | T108138GT | BEARING,1.50IDX1.75ODX2.00L.....   | 28   |      |           |  |      |
| 14   | 148433GT  | PIN,CENTER LINK,GS69.....  | 8    |      |           |  |      |
| 15   | 14033GT   | SCREW,HHC,3/8-16 X 2.75  |      |      |           |  |      |

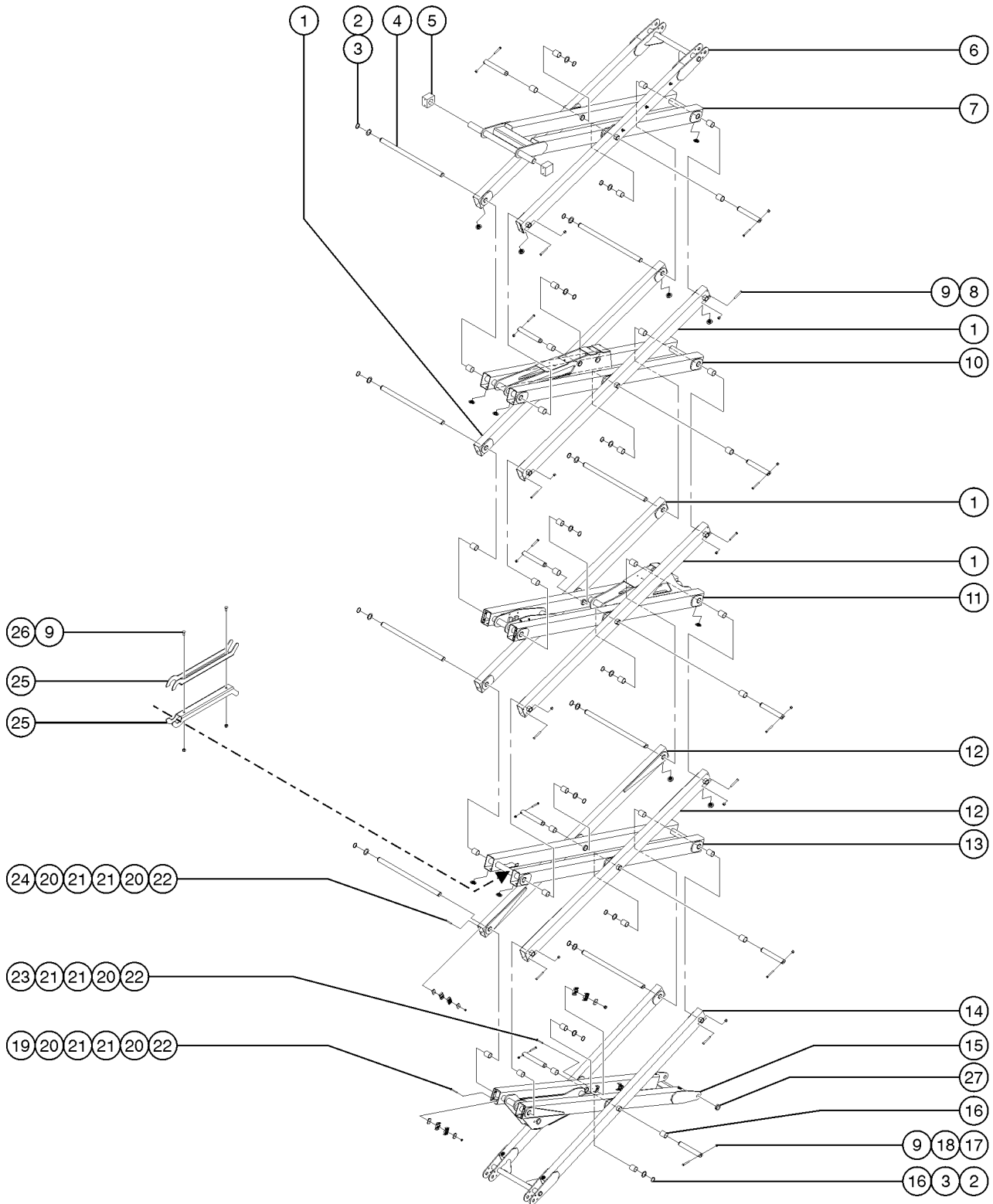
503.1 Scissor Components, GS-3369 RT, View 2



## 503.1 Scissor Components, GS-3369 RT, View 2

| Item | Part No.  | Description   | Qty. |
|------|-----------|---|------|
| 1    | 96977GT   | BOLT,CARRIAGE,1/2-13X1.50,GR5   |      |
| 2    | 6097GT    | WASHER,FLAT,USS,3/8",Y  |      |
| 3    | 4828GT    | NUT,NYLOCK,3/8-16   |      |
| 4    |           | Ref. Platform Pivot Weldment,33/4069....1<br>(refer to 602.1)         |      |
| 5    | 112375GT  | BEARING,FL,1.25IDX1.50ODX.44LG.....4                                  |      |
| 6    | 112115GT  | PIN,1.25 DIA X 5.00 LG,1 HOLE.....4                                   |      |
| 7    | 22788GT   | SCREW,HHC,1/2-13 X 1.75   |      |
| 8    | 1256267GT | ROD END,.5 X 3.75,ZAG.....8   |      |
| 9    | 6198GT    | NUT,NYLOCK,1/2-13   |      |
| 10   |           | Ref. Lift Cylinders<br>(refer to 705.1)                               |      |
| 11   | 6096GT    | SCREW,HHC,1/2-13 X 2 GR5  |      |
| 12   | 112121GT  | PIN, CYLINDER, LONG.....2   |      |
| 13   | 112116GT  | PIN,1.50 DIA X 2.75 LG,1 HOLE.....2                                   |      |
| 14A  | 112210GT  | WLDMT,CHASSIS LINK PVT,33/4069.....1<br>(to SN 3661) (Genie grey)     |      |
| 14B  | 1254203GT | WLDMT,CHASSIS LINK PVT,33/4069.....1<br>(from SN 3662) (Genie blue)   |      |
| 15   | 49821GT   | SCREW,PHILLIPS,PHM,8-32 X 1.25  |      |
| 16   | 35461GT   | WASHER,FLAT,MS,#8,Y   |      |
| 17   | 18605GT   | NUT,NYLOCK,8-32   |      |
| 18   | 148236GT  | SWITCH,LIMIT,PLUNGER,SMALL.....2                                      |      |
| 19A  | 148317GT  | FORMING,DOWN LIMIT SWITCH<br>MNT.....1<br>(to SN 3661) (Genie grey)   |      |
| 19B  | 1254202GT | FORMING,DOWN LIMIT SWITCH<br>MNT.....1<br>(from SN 3662) (Genie blue) |      |
| 20   | 112350GT  | BRG,FL,1.5ID X 1.75OD X .5 LG.....2                                   |      |
| 21   | 112099GT  | WEAR PAD,SLIDER FOOT,LOWER.....2                                      |      |
| 22A  | 112177GT  | WELDMENT,SLIDER FOOT, 32/4069.....2<br>(to SN 3661) (Genie grey)      |      |
| 22B  | 1254191GT | WELDMENT,SLIDER FT, GS33/4069.....2<br>(from SN 3662) (Genie blue)    |      |
| 23   | 30434GT   | BEARING,1.25IDX1.50ODX0.88L.....4                                     |      |
| 24   | 112100GT  | WEAR PAD,SLIDER FOOT,UPPER.....4                                      |      |
| 25   | 96203GT   | BOLT,CARRIAGE,1/2-13X1.75, G5   |      |
| 26   | 6095GT    | WASHER,FLAT,USS,1/2",Y  |      |

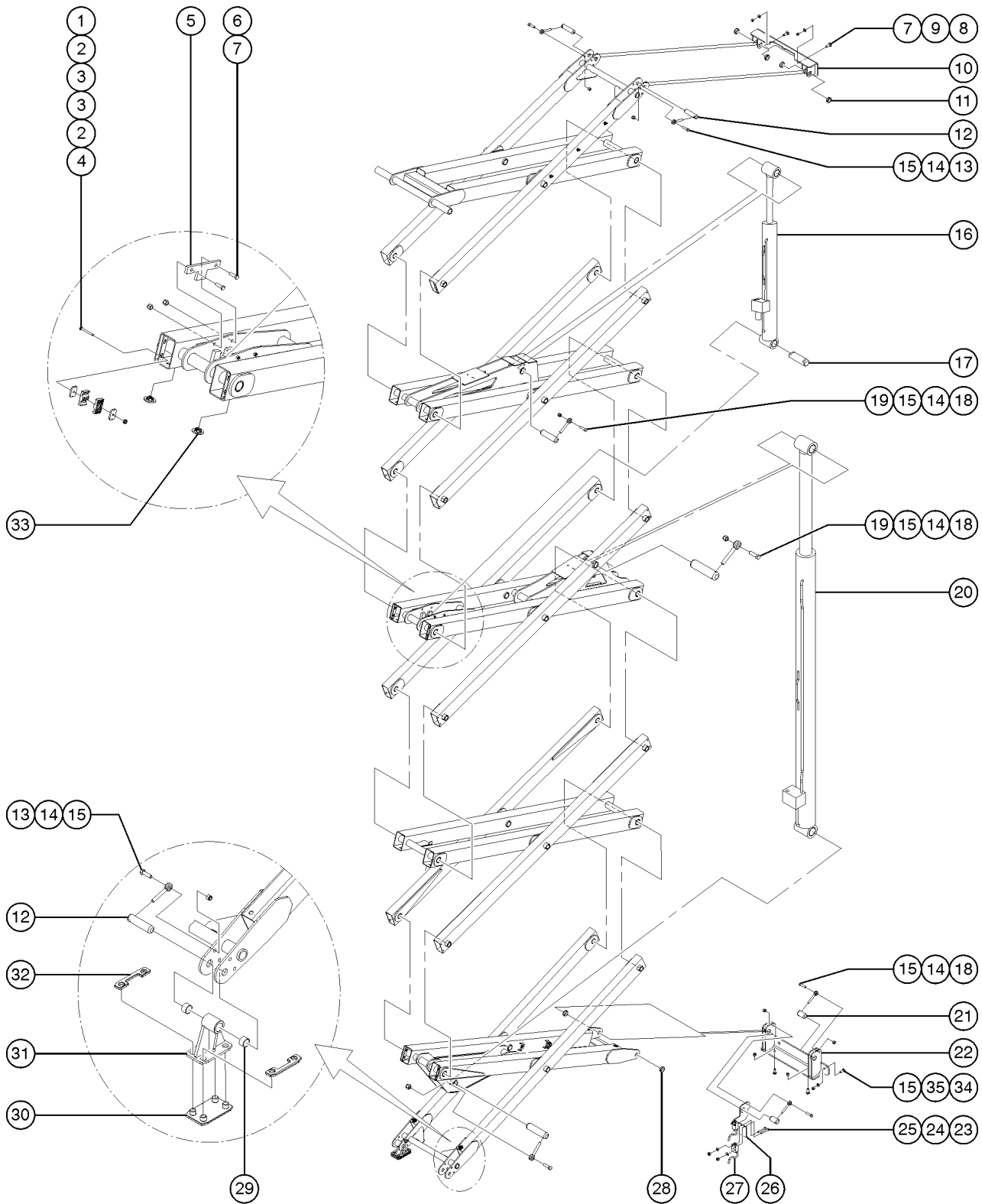
504.1 Scissor Components, GS-4069 RT, View 1



## 504.1 Scissor Components, GS-4069 RT, View 1

| Item | Part No.  | Description   | Qty. | Item | Part No.  | Description   | Qty. |
|------|-----------|---|------|------|-----------|---|------|
| 1A   | 112072GT  | WELDMENT, LINK, OUTER #2,3,4.....4<br>(to SN 3661) (Genie grey)   | 4    | 14A  | 112070GT  | WELDMENT, LINK, OUTER #1.....1<br>(to SN 3661) (Genie grey)                                       | 1    |
| 1B   | 1254198GT | WELDMENT, LINK, OUTER #2,3,4.....4<br>(from SN 3662) (Genie blue)   | 4    | 14B  | 1254190GT | WELDMENT, LINK, OUTER #1.....1<br>(from SN 3662) (Genie blue)                                     | 1    |
| 2    | 18383GT   | SNAP RING, EXTERNAL, 1.5 DIA***.....18  | 18   | 15A  | 112123GT  | ASSY, LINK, INNER #1, BLUE, GS69.....1<br>(to SN 3661) (Genie grey) (includes item #16 and #27)   | 1    |
| 3    | T108139GT | WASHER, FLAT, 1.510X2.125   |      | 15B  | 1256586GT | ASSY, LINK, INNER #1, GRAY, GS69.....1<br>(from SN 3662) (Genie blue) (includes item #16 and #27) | 1    |
| 4    | 148434GT  | PIN, END LINK, GS69.....8   | 8    | 16   | T108138GT | BEARING, 1.50ID X 1.75OD X 2.00L  |      |
| 5    | 112708GT  | SLIDER BLOCK, GS69.....2  | 2    | 17   | 14033GT   | SCREW, HHC, 3/8-16 X 2.75   |      |
| 6    | 112076GT  | WELDMENT, LINK, TOP OUTER, GS69....1  | 1    | 18   | 148433GT  | PIN, CENTER LINK, GS69.....10   | 10   |
| 7A   | 112134GT  | ASSY, LINK, INR #4-3369, #5-4069.....1<br>(to SN 3661) (Genie grey) (includes item #16)                             | 1    | 19   | 96905GT   | BOLT, CARRIAGE, 1/4-20 X 2.5, G2  |      |
| 7B   | 1256593GT | ASSY, LINK, INR #4-3369, #5-4069.....1<br>(from SN 3662) (Genie blue) (includes item #16)                           | 1    | 20   | 228103GT  | PLATE, BACKING, LINKS.....8   | 8    |
| 8    | 6326GT    | SCREW, HHC, 3/8-16 X 3  |      | 21   | 78736GT   | CLAMP, 2 HOSE, PLASTIC, 5/8.....12  | 12   |
| 9    | 4828GT    | NUT, NYLOCK, 3/8-16   |      | 22   | 6889GT    | NUT, LP NYLOCK, 1/4-20  |      |
| 10A  | 112126GT  | ASSY, LINK, INNER #4, BLUE, 4069.....1<br>(to SN 3661) (Genie grey) (includes item #16)                             | 1    | 23   | 73464GT   | BOLT, CARRIAGE, 1/4-20 X 1.75, G2   |      |
| 10B  | 1256598GT | ASSY, LINK, INNER #4, GRAY, 4069.....1<br>(from SN 3662) (Genie blue) (includes item #16)                           | 1    | 24   | 4266GT    | SCREW, HHC, 1/4-20 X 2  |      |
| 11A  | 112125GT  | ASSY, LINK, INNER #3, BLUE, 4069.....1<br>(to SN 3661) (Genie grey) (includes item #16)                             | 1    | 25   | 1254192GT | FORMING, SAFETY ARM.....2   | 2    |
| 11B  | 1256597GT | ASSY, LINK, INNER #3, GRAY, 4069.....1<br>(from SN 3662) (Genie blue) (includes item #16)                           | 1    | 26   | 64154GT   | BOLT, CARRIAGE, 3/8-16 X 1.00, G5   |      |
| 12A  | 235092GT  | ARM, 2ND OUTER, W/BEARINGS, WO...2<br>(ANSI, CSA & Australia models with word decals) (to SN 3661) (Genie grey)     | 2    | 27   | 112350GT  | BRG, FL, 1.5ID X 1.75OD X .5 LG.....2   | 2    |
| --   | T108137GT | WLDMT, LINK, OUTER, #2.....1<br>(decals not included, refer to section 100)<br>(Genie grey)                         | 1    |      |           |   |      |
| 12B  | 235093GT  | ARM, 2ND OUTER, W/BEARINGS, SY...2<br>(Asia, S. America and CE models with symbol decals) (to SN 3661) (Genie grey) | 2    |      |           |   |      |
| --   | T108137GT | WLDMT, LINK, OUTER, #2.....1<br>(decals not included, refer to section 100)<br>(Genie grey)                         | 1    |      |           |   |      |
| 12C  | 1254204GT | WLDMT, LINK, OUTER, #2.....1<br>(decals not included, refer to section 100)<br>(from SN 3662) (Genie blue)          | 1    |      |           |   |      |
| 13A  | 235094GT  | ARM, 2ND INNER<br>ASSY, W/BEARINGS.....1<br>(models with word & symbol decals) (to SN 3661) (Genie grey)            | 1    |      |           |   |      |
| --   | 112124GT  | ASSY, LINK, INNER #2, BLUE, GS69.....1<br>(Genie grey) (includes item #16)  | 1    |      |           |   |      |
| 13B  | 1256587GT | ASSY, LINK, INNER #2, GRAY, GS69.....1<br>(from SN 3662) (Genie blue) (includes item #16)                           | 1    |      |           |   |      |

505.1 Scissor Components, GS-4069 RT, View 2

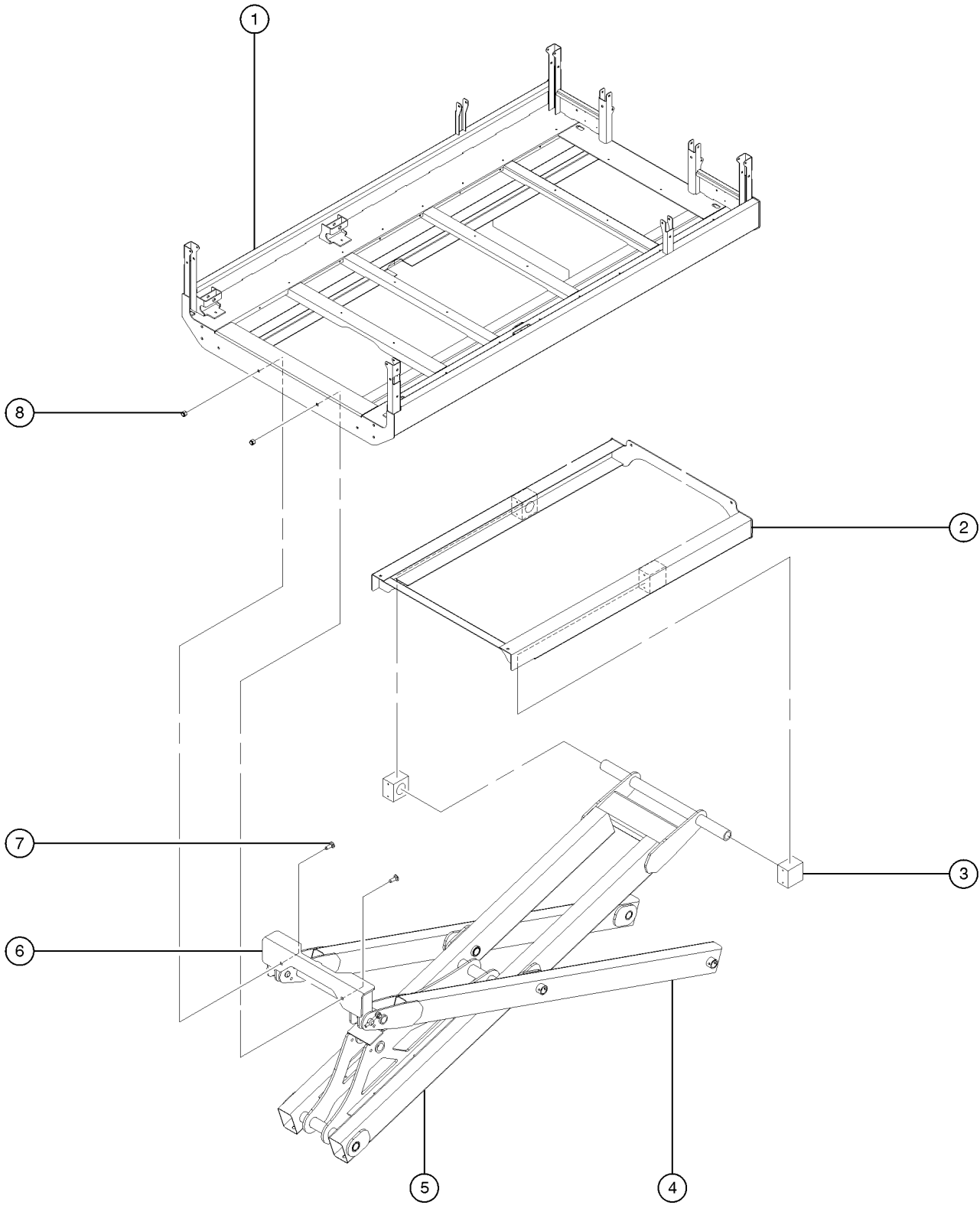




## 505.1 Scissor Components, GS-4069 RT, View 2

| Item | Part No.  | Description   | Qty. | Item | Part No.  | Description                      | Qty. |
|------|-----------|---|------|------|-----------|----------------------------------|------|
| 1    | 96905GT   | BOLT,CARRIAGE,1/4-20 X 2.5,G2   |      | 32   | 112100GT  | WEAR PAD,SLIDER FOOT,UPPER.....4 |      |
| 2    | 228103GT  | PLATE,BACKING,LINKS.....6   |      | 33   | T109734GT | BUMPER,LINKS,GS69.....32         |      |
| 3    | 78736GT   | CLAMP,2 HOSE,PLASTIC,5/8.....6  |      | 34   | 96203GT   | BOLT,CARRIAGE,1/2-13X1.75, G5    |      |
| 4    | 6889GT    | NUT,LP NYLOCK,1/4-20  |      | 35   | 6095GT    | WASHER,FLAT,USS,1/2",Y           |      |
| 5A   | 112106GT  | PLATE,UPR CYL,PIN RETAINR 4069.....2<br>(to SN 3661) (Genie grey)     |      |      |           |                                  |      |
| 5B   | 1254201GT | PLATE,UPR CYL,PIN RETAINR 4069.....2<br>(from SN 3662) (Genie blue)   |      |      |           |                                  |      |
| 6    | 6019GT    | SCREW,HHC,3/8-16 X 1.25 GRD 5   |      |      |           |                                  |      |
| 7    | 4828GT    | NUT,NYLOCK,3/8-16   |      |      |           |                                  |      |
| 8    | 96977GT   | BOLT,CARRIAGE,1/2-13X1.50,GR5   |      |      |           |                                  |      |
| 9    | 6097GT    | WASHER,FLAT,USS,3/8",Y  |      |      |           |                                  |      |
| 10   |           | Ref. Platform Pivot Weldment,33/4069....1<br>(refer to 602.1)         |      |      |           |                                  |      |
| 11   | 112375GT  | BEARING,FL,1.25IDX1.50ODX.44LG  |      |      |           |                                  |      |
| 12   | 112115GT  | PIN,1.25 DIA X 5.00 LG,1 HOLE.....4                                   |      |      |           |                                  |      |
| 13   | 22788GT   | SCREW,HHC,1/2-13 X 1.75   |      |      |           |                                  |      |
| 14   | 1256267GT | ROD END,.5 X 3.75,ZAG.....9   |      |      |           |                                  |      |
| 15   | 6198GT    | NUT,NYLOCK,1/2-13   |      |      |           |                                  |      |
| 16   |           | Ref. Lift Cylinders<br>(refer to 705.1)                               |      |      |           |                                  |      |
| 17   | 235122GT  | PIN,UPPER CYLINDER.....1  |      |      |           |                                  |      |
| 18   | 6096GT    | SCREW,HHC,1/2-13 X 2 GR5  |      |      |           |                                  |      |
| 19   | 112121GT  | PIN, CYLINDER, LONG.....3   |      |      |           |                                  |      |
| 20   |           | Ref. Lift Cylinders<br>(refer to 705.1)                               |      |      |           |                                  |      |
| 21   | 112116GT  | PIN,1.50 DIA X 2.75 LG,1 HOLE.....2                                   |      |      |           |                                  |      |
| 22A  | 112210GT  | WLDMT,CHASSIS LINK PVT,33/4069.....1<br>(to SN 3661) (Genie grey)     |      |      |           |                                  |      |
| 22B  | 1254203GT | WLDMT,CHASSIS LINK PVT,33/4069.....1<br>(from SN 3662) (Genie blue)   |      |      |           |                                  |      |
| 23   | 49821GT   | SCREW,PHILLIPS,PHM,8-32 X 1.25  |      |      |           |                                  |      |
| 24   | 35461GT   | WASHER,FLAT,MS,#8,Y   |      |      |           |                                  |      |
| 25   | 18605GT   | NUT,NYLOCK,8-32   |      |      |           |                                  |      |
| 26A  | 148317GT  | FORMING,DOWN LIMIT SWITCH<br>MNT.....1<br>(to SN 3661) (Genie grey)   |      |      |           |                                  |      |
| 26B  | 1254202GT | FORMING,DOWN LIMIT SWITCH<br>MNT.....1<br>(from SN 3662) (Genie blue) |      |      |           |                                  |      |
| 27   | 148236GT  | SWITCH,LIMIT,PLUNGER,SMALL.....2                                      |      |      |           |                                  |      |
| 28   | 112350GT  | BRG,FL,1.5ID X 1.75OD X .5 LG.....2                                   |      |      |           |                                  |      |
| 29   | 30434GT   | BEARING,1.25IDX1.50ODX0.88L.....4                                     |      |      |           |                                  |      |
| 30   | 112099GT  | WEAR PAD,SLIDER FOOT,LOWER.....2                                      |      |      |           |                                  |      |
| 31A  | 112177GT  | WELDMENT,SLIDER FOOT, 32/4069.....2<br>(to SN 3661) (Genie grey)      |      |      |           |                                  |      |
| 31B  | 1254191GT | WELDMENT,SLIDER FT, GS33/4069.....2<br>(from SN 3662) (Genie blue)    |      |      |           |                                  |      |

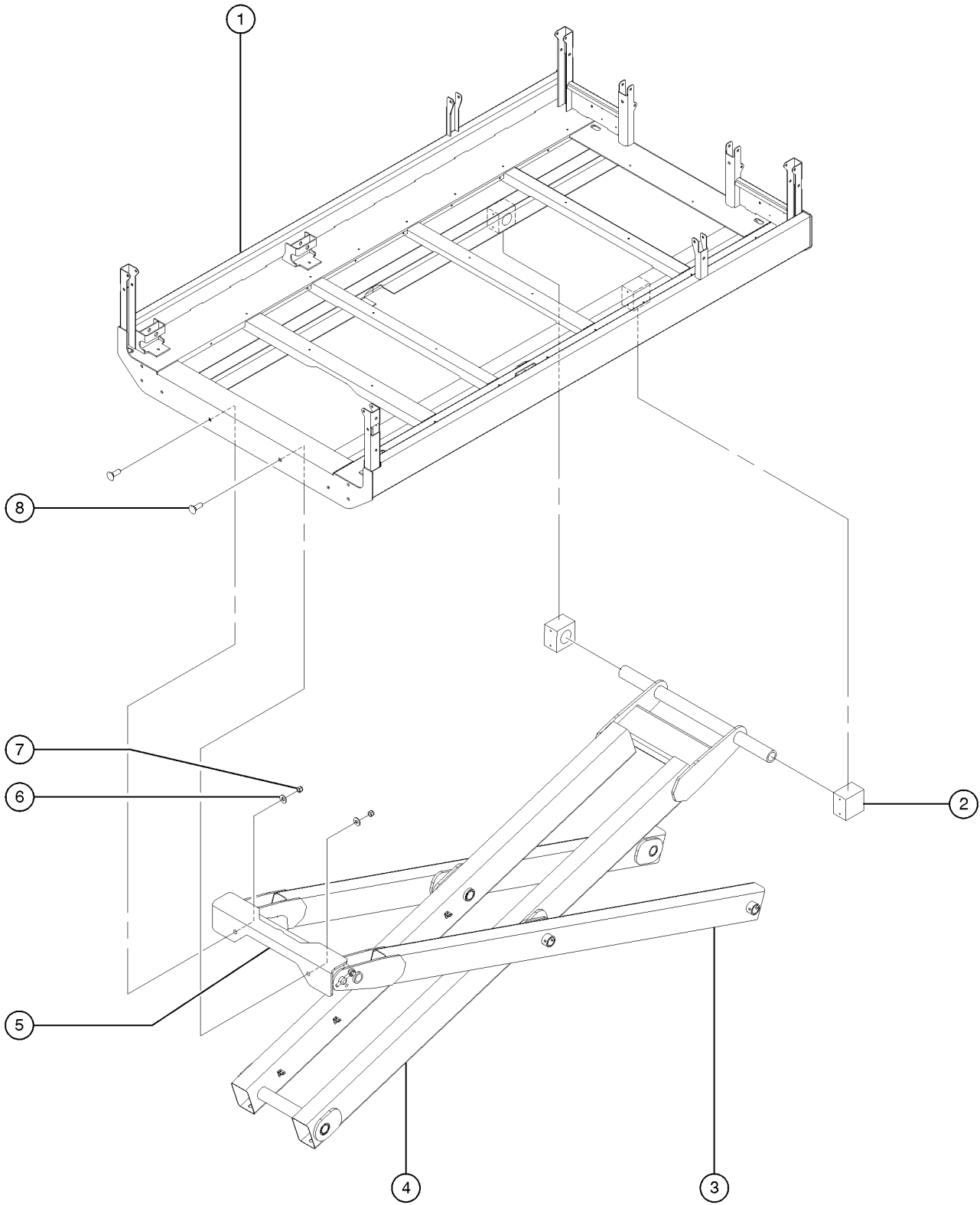
601.1 Platform Installation, GS-2669 RT, View 1



## 601.1 Platform Installation, GS-2669 RT, View 1

| Item | Part No.  | Description   | Qty. |
|------|-----------|---|------|
| 1    | 235170GT  | MAIN PLAT DECK ASSY,2669,WO,ANSI<br>GS-2669 RT (ANSI & CSA models with<br>word decals)          |      |
| --   | 112703GT  | WELDMENT,MAIN PLATFORM,GS69....1<br>(decals not included, refer to section 100)                 |      |
| --   | 235173GT  | MAIN PLAT DECK ASSY,2669,WO,AUS<br>GS-2669 RT (Australia models with word<br>decals)            |      |
| --   | 235176GT  | MAIN PLAT DECK ASSY,2669,SY,ANSI<br>GS-2669 RT (Asia & S. America models<br>with symbol decals) |      |
| --   | 235179GT  | MAIN PLAT DECK ASSY,2669,SY,CE<br>GS-2669 RT (CE models with symbol<br>decals)                  |      |
| 2    | 131874GT  | WLDMNT,PLATFORM SPACER, 2669....1   |      |
| 3    | 112708GT  | SLIDER BLOCK, GS69.....2  |      |
| 4    | 112076GT  | WELDMENT,LINK,TOP OUTER,GS69....1   |      |
| 5    | 112127GT  | ASSY,LINK,INNER #3,BLUE,2669.....1<br>(bearings included)                                       |      |
| 6A   | 112229GT  | WELDMENT,PLATFORM PIVOT,2669.....1<br>(to SN 3661) (Genie grey)                                 |      |
| 6B   | 1254206GT | WELDMENT,PLATFORM PIVOT,2669.....1<br>(from SN 3662) (Genie blue)                               |      |
| 7    | 96977GT   | BOLT,CARRIAGE,1/2-13X1.50,GR5.....2   |      |
| 8    | 6198GT    | NUT,NYLOCK,1/2-13.....2   |      |

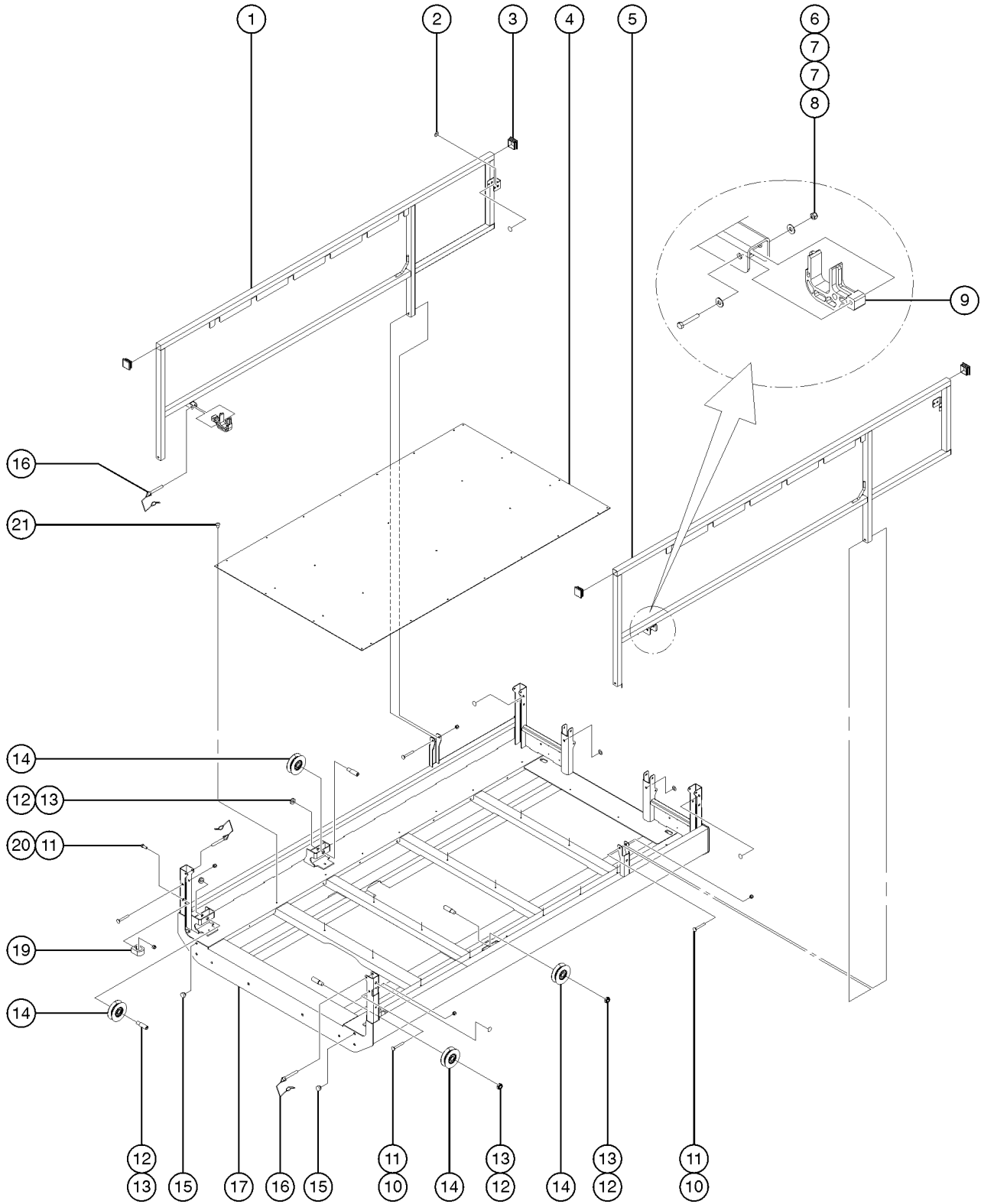
602.1 Platform Installation, GS-3369 RT and GS-4069 RT, View 2



## 602.1 Platform Installation, GS-3369 RT and GS-4069 RT, View 2

| Item | Part No.  | Description   | Qty. |
|------|-----------|---|------|
| 1    | 235171GT  | MAIN PLAT DECK ASSY,3369,WO,ANSI<br>GS-3369 RT (ANSI & CSA models with<br>word decals)          |      |
| --   | 112703GT  | WELDMENT,MAIN PLATFORM,GS69....1<br>(decals not included, refer to section 100)                 |      |
| --   | 235172GT  | MAIN PLAT DECK ASSY,4069,WO,ANSI<br>GS-4069 RT (ANSI & CSA models with<br>word decals)          |      |
| --   | 235174GT  | MAIN PLAT DECK ASSY,3369,WO,AUS<br>GS-3369 RT (Australia models with word<br>decals)            |      |
| --   | 235175GT  | MAIN PLAT DECK ASSY,4069,WO,AUS<br>GS-4069 RT (Australia models with word<br>decals)            |      |
| --   | 235177GT  | MAIN PLAT DECK ASSY,3369,SY,ANSI<br>GS-3369 RT (Asia & S. America models<br>with symbol decals) |      |
| --   | 235178GT  | MAIN PLAT DECK ASSY,4069,SY,ANSI<br>GS-4069 RT (Asia & S. America models<br>with symbol decals) |      |
| --   | 235180GT  | MAIN PLAT DECK ASSY,3369,SY,CE<br>GS-3369 RT (CE models with symbol<br>decals)                  |      |
| --   | 235181GT  | MAIN PLAT DECK ASSY,4069,SY,CE<br>GS-4069 RT (CE models with symbol<br>decals)                  |      |
| 2    | 112708GT  | SLIDER BLOCK, GS69.....2  |      |
| 3    | 112076GT  | WELDMENT,LINK, TOP OUTER,GS69....1  |      |
| 4    | 112134GT  | ASSY,LINK,INR #4-3369,#5-4069.....1<br>(bearings included)                                      |      |
| 5A   | 112136GT  | WELDMENT,PLAT PIVOT,33/4069.....1<br>(to SN 3661) (Genie grey)                                  |      |
| 5B   | 1254196GT | WELDMENT,PLAT PIVOT,33/4069.....1<br>(from SN 3662) (Genie blue)                                |      |
| 6    | 6097GT    | WASHER,FLAT,USS,3/8",Y.....2  |      |
| 7    | 4828GT    | NUT,NYLOCK,3/8-16.....2   |      |
| 8    | 96977GT   | BOLT,CARRIAGE,1/2-13X1.50,GR5.....2   |      |

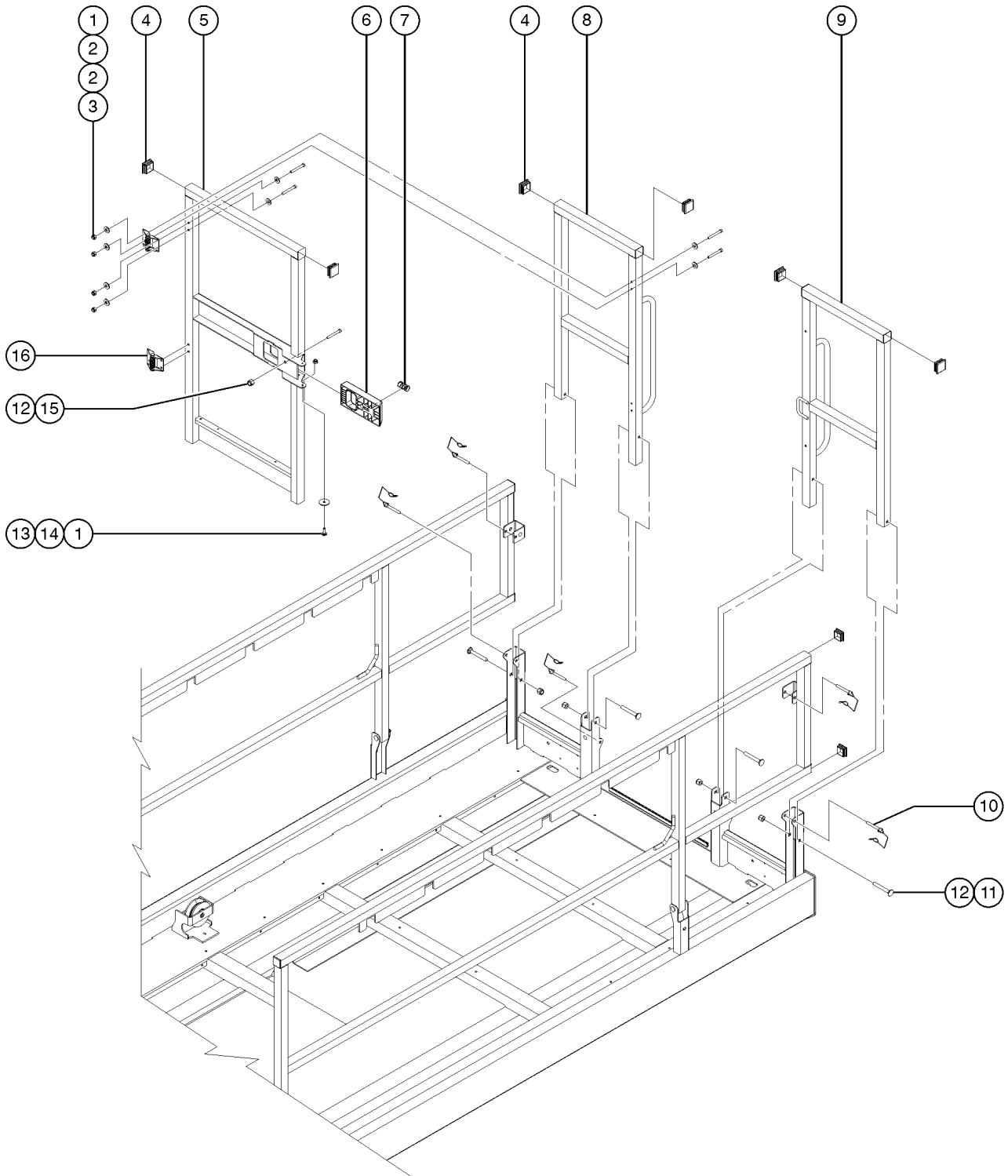
603.1 Platform Railing Installation



## 603.1 Platform Railing Installation

| Item | Part No. | Description   | Qty. |
|------|----------|---|------|
| 1    | 235331GT | MAIN PLAT RAIL ASSY,RT  |      |
| --   | 131744GT | WELDMENT,MAIN RAIL,RIGHT.....1<br><i>(decals not included, refer to section 100)</i>  |      |
| 2    | 47478GT  | BUMPER, RUBBER, 1"OD X .461H.....10   |      |
| 3    | 79355GT  | PLUG,TUBE,SQ 1.50X.065.....6  |      |
| 4    | 131749GT | PLATE,GS69 DECK.....1   |      |
| 5    | 235332GT | MAIN PLAT RAIL ASSY,LT  |      |
| --   | 131745GT | WELDMENT, MAIN RAIL, LEFT.....1<br><i>(decals not included, refer to section 100)</i> |      |
| 6    | 6091GT   | NUT,NYLOCK,1/4-20.....2   |      |
| 7    | 6638GT   | WASHER,FLAT,USS,1/4"Y.....4   |      |
| 8    | 6637GT   | SCREW,HHC,1/4-20 X 1.75.....2   |      |
| 9    | 71376GT  | RAIL SPACER, GS90.....2   |      |
| 10   | 112476GT | BOLT,CARRIAGE,3/8-16X2.75,G5.....4  |      |
| 11   | 4828GT   | NUT,NYLOCK,3/8-16.....5   |      |
| 12   | 38028GT  | NUT,LP NYLOCK,5/8-11.....4  |      |
| 13   | 87568GT  | PIN, SHOULDER, 5/8-11 X 1.77.....4  |      |
| 14   | 131416GT | V-ROLLER,NARROW,EXT DECK.....4  |      |
| 15   | 47230GT  | BUMPER,RUBBER.....2   |      |
| 16   | 66030GT  | PIN, WIRE LOCK 3/8 X 2 -1/2.....4   |      |
| 17   |          | Ref., WELDMENT, MAIN PLATFORM.....1<br><i>(refer to 601.1 &amp; 602.1)</i>            |      |
| 19   | 87523GT  | COIL CORD CLIP.....1  |      |
| 20   | 6175GT   | SCREW,HHC,3/8-16 X 1.....1  |      |
| 21   | 71315GT  | RIVET,DRIVE, .25 X .25.....24   |      |

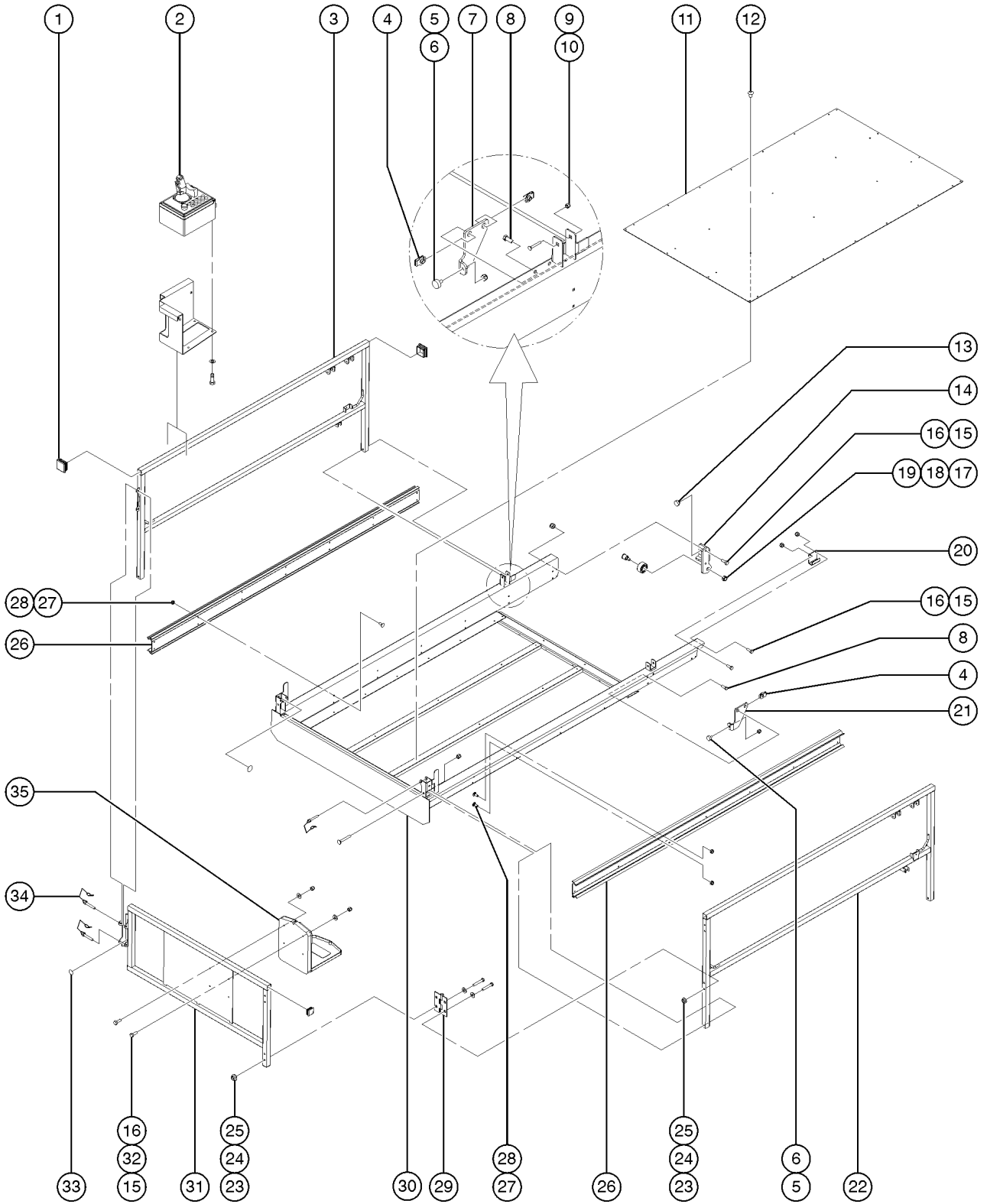
604.1 Platform Entry Gate





| Item | Part No.  | Description                                      | Qty. |
|------|-----------|--|------|
| 1    | 6091GT    | NUT,NYLOCK,1/4-20<br><i>gate; to SN 834</i>      |      |
| 1A   | 6889GT    | NUT,LP NYLOCK,1/4-20<br><i>gate; from SN 835</i> |      |
| 2    | 6638GT    | WASHER,FLAT,USS,1/4"Y<br><i>door latch</i>       |      |
| 3    | 4266GT    | SCREW,HHC,1/4-20 X 2                             |      |
| 4    | 79355GT   | PLUG,TUBE,SQ 1.50X.065.....                      | 10   |
| 5    | 87320-SGT | WELDMENT,ENTRY GATE.....                         | 1    |
| 6    | 112543GT  | SLIDER, GATE CATCH.....                          | 1    |
| 7    | 22446GT   | SPRING,COMPRESSION .835 X 2.....                 | 1    |
| 8    | 131747GT  | WELDMENT, MAIN, A-RAIL, RIGHT.....               | 1    |
| 9    | 131746GT  | WELDMENT, MAIN, A-RAIL, LEFT.....                | 1    |
| 10   | 66030GT   | PIN, WIRE LOCK 3/8 X 2 -1/2.....                 | 4    |
| 11   | 112476GT  | BOLT,CARRIAGE,3/8-16X2.75,G5                     |      |
| 12   | 4828GT    | NUT,NYLOCK,3/8-16                                |      |
| 13   | 6878GT    | BOLT,CARRIAGE,1/4-20 X .75,G2                    |      |
| 14   | 47793GT   | BUMPER, MODULE TRAY.....                         | 1    |
| 15   | 6708GT    | SCREW,HHC,3/8-16 X 2.25.....                     | 1    |
| 16   | 104804GT  | HINGE, SPRING, LONG LEG.....                     | 2    |

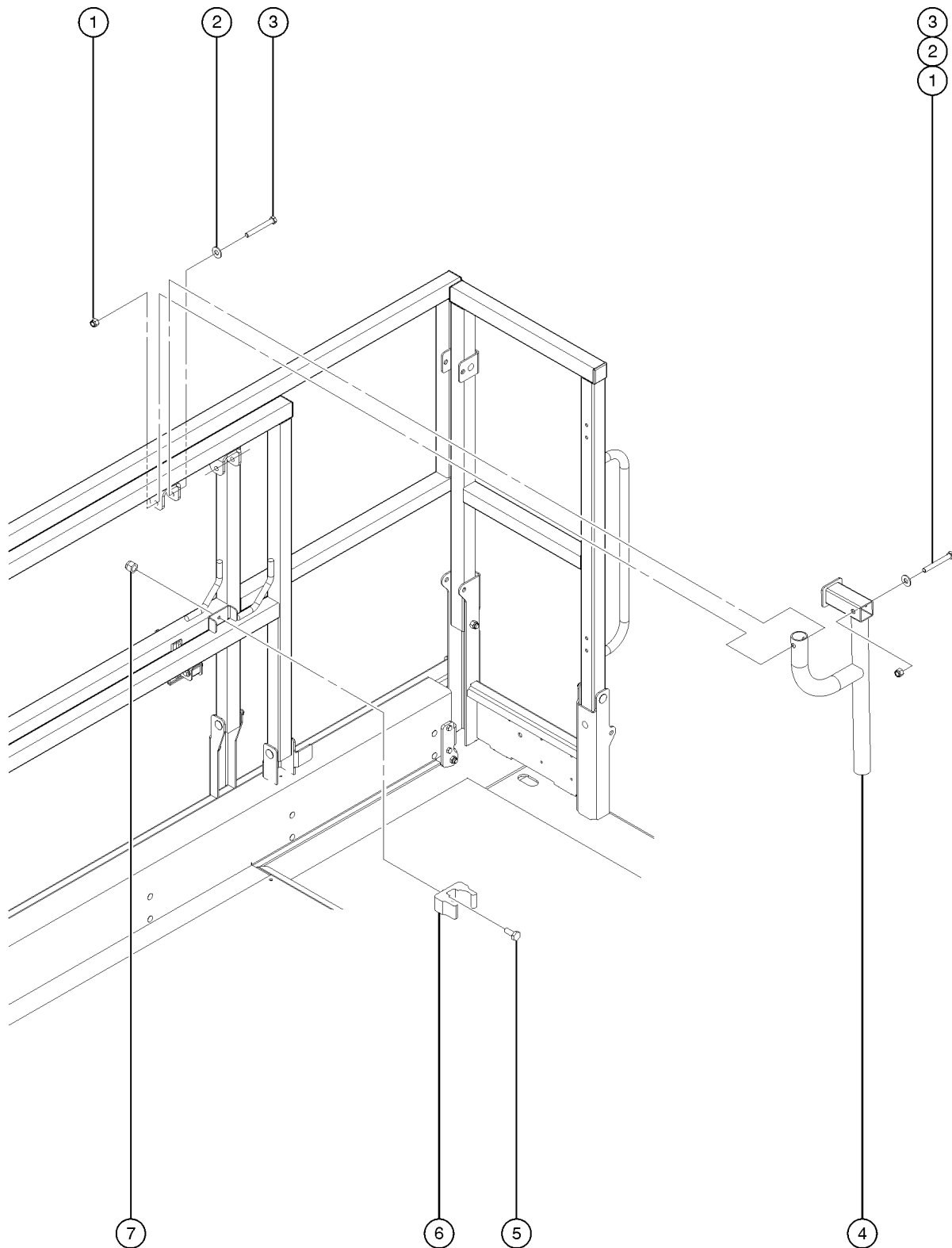
605.1 Platform Extension



## 605.1 Platform Extension

| Item | Part No. | Description   | Qty. | Item | Part No. | Description  | Qty. |
|------|----------|---|------|------|----------|--|------|
| --   | 33550GT  | TAPE,WARNING,BLK/YEL,<br>50*** .....66-inches<br>(CE and Australia models only)   |      | 30   | 131735GT | WELDMENT,EXT.DECK,GS69.....1   |      |
| 1    | 79355GT  | PLUG,TUBE,SQ 1.50X.065.....8  |      | 31   | 235097GT | PLAT EXT DECK RAIL ASSY,END,WO<br>(ANSI & CSA models with word decals)                         |      |
| 2    |          | Ref. Platform Controller<br>(refer to 608.1)                                      |      | --   | 131742GT | WELDMENT,EXT DECK RAIL,END.....1<br>(decals not included, refer to section 100)                |      |
| 3    | 235090GT | PLAT SIDE EXT RAIL ASSY,RT  |      | --   | 235098GT | PLAT EXT DECK RAIL ASSY,END,WO<br>(Australia models with word decals)                          |      |
| --   | 131743GT | WELDMENT,SIDE EXT RAIL,RIGHT.....1<br>(decals not included, refer to section 100) |      | --   | 235099GT | PLAT EXT DECK RAIL ASSY,END,SY<br>(Asia, S. America & CE models with symbol<br>decals)         |      |
| 4    | 29868GT  | SPRING CLIP,3/8-16,.05-.20X.73,ZAG....4   |      | 32   | 6638GT   | WASHER,FLAT,USS,1/4"Y.....4  |      |
| 5    | 79090GT  | BUMPER, 1.00 X .375 X 5/16.....2  |      | 33   | 47478GT  | BUMPER, RUBBER, 1"OD X .461H.....4   |      |
| 6    | 6782GT   | NUT,NYLOCK,5/16-18.....2  |      | 34   | 66030GT  | PIN, WIRE LOCK 3/8 X 2 -1/2.....4  |      |
| 7    | 99268GT  | FORMING,PLATFORM STOP,LEFT.....1<br>(CE models with no outriggers only)           |      | 35A  | 44743GT  | MANUAL BOX W/DECALS***.....1<br>USA/Canada/Australia   |      |
| 8    | 6175GT   | SCREW,HHC,3/8-16 X 1.....4  |      | 35B  | 24514GT  | BOX,INSTRUCTION STORAGE<br>Europe/Asia/South America (decals<br>required; refer to Section100) |      |
| 9    | 112476GT | BOLT,CARRIAGE,3/8-16X2.75,G5.....4  |      |      |          |  |      |
| 10   | 4828GT   | NUT,NYLOCK,3/8-16.....4   |      |      |          |  |      |
| 11   | 131749GT | PLATE,GS69 DECK.....1   |      |      |          |  |      |
| 12   | 71315GT  | RIVET,DRIVE, .25 X .25.....24   |      |      |          |  |      |
| 13   | 47230GT  | BUMPER,RUBBER.....2   |      |      |          |  |      |
| 14A  | 87570GT  | FORMING,EXT DECK STOP,RIGHT.....2   |      |      |          |  |      |
| 14B  | 87571GT  | FORMING,EXT DECK STOP,LEFT.....2<br>(opposite side, not shown)                    |      |      |          |  |      |
| 15   | 6090GT   | SCREW,HHC,1/4-20 X .75.....12   |      |      |          |  |      |
| 16   | 6091GT   | NUT,NYLOCK,1/4-20.....12  |      |      |          |  |      |
| 17   | 7713GT   | NUT, LP NYLOCK, 3/8-16.....2  |      |      |          |  |      |
| 18   | 38016GT  | ROLLER,PLASTIC,AWP96**.....2  |      |      |          |  |      |
| 19   | 35706GT  | BOLT,ROLLER,.470"(SHORT).....2  |      |      |          |  |      |
| 20   | 87675GT  | FORMING,EXT DECK CATCH.....2  |      |      |          |  |      |
| 21   | 99267GT  | FORMING,PLATFORM STOP,RIGHT.....1<br>(CE models only)                             |      |      |          |  |      |
| 22   | 235100GT | PLAT SIDE EXT RAIL ASSY,LT  |      |      |          |  |      |
| --   | 131741GT | WELDMENT,SIDE EXT RAIL,LEFT.....1<br>(decals not included, refer to section 100)  |      |      |          |  |      |
| 23   | 48425GT  | NUT,FLG-LRG,3/8-16,YZ.....8   |      |      |          |  |      |
| 24A  | 6097GT   | WASHER,FLAT,USS,3/8",Y.....8<br>to SN 834   |      |      |          |  |      |
| 24B  | 219210GT | WASHER,FLAT,SAE,3/8",Y.....8<br>from SN 835                                       |      |      |          |  |      |
| 25A  | 6708GT   | SCREW,HHC,3/8-16 X 2.25.....8<br>to SN 834  |      |      |          |  |      |
| 25B  | 87564GT  | BOLT,CARRIAGE,3/8-16 X 2.00,G2<br>from SN 835                                     |      |      |          |  |      |
| 26   | 131751GT | EXTRUSION,ALUM,V-ROLLER TRK....2  |      |      |          |  |      |
| 27   | 87645GT  | BOLT,CARRIAGE,1/4-20 X .63,G2.....28  |      |      |          |  |      |
| 28   | 6889GT   | NUT,LP NYLOCK,1/4-20.....28   |      |      |          |  |      |
| 29   | 55517GT  | HINGE, GSRT90 BOX.....2   |      |      |          |  |      |

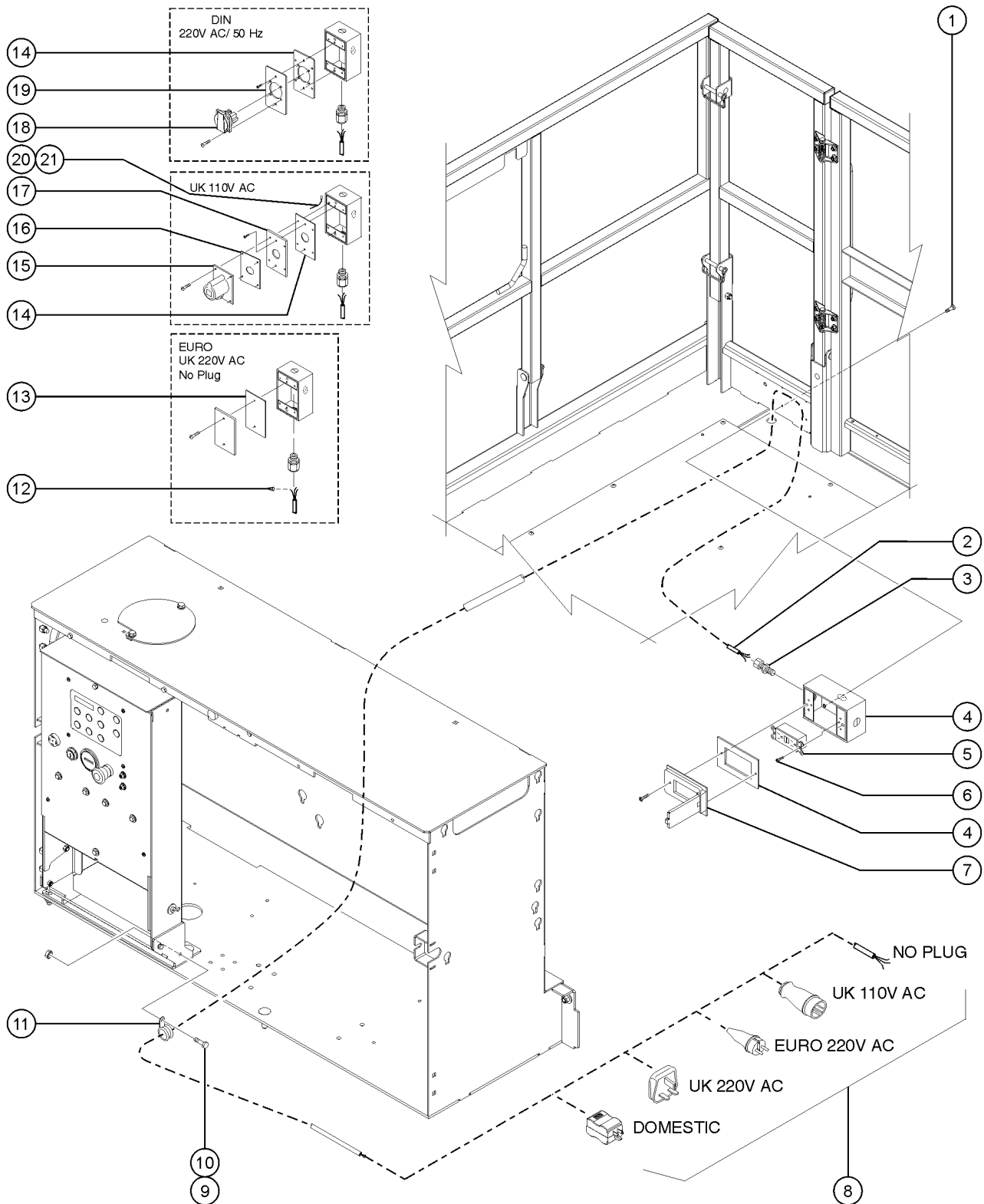
606.1 Platform Extension Deck Lock



## 606.1 Platform Extension Deck Lock

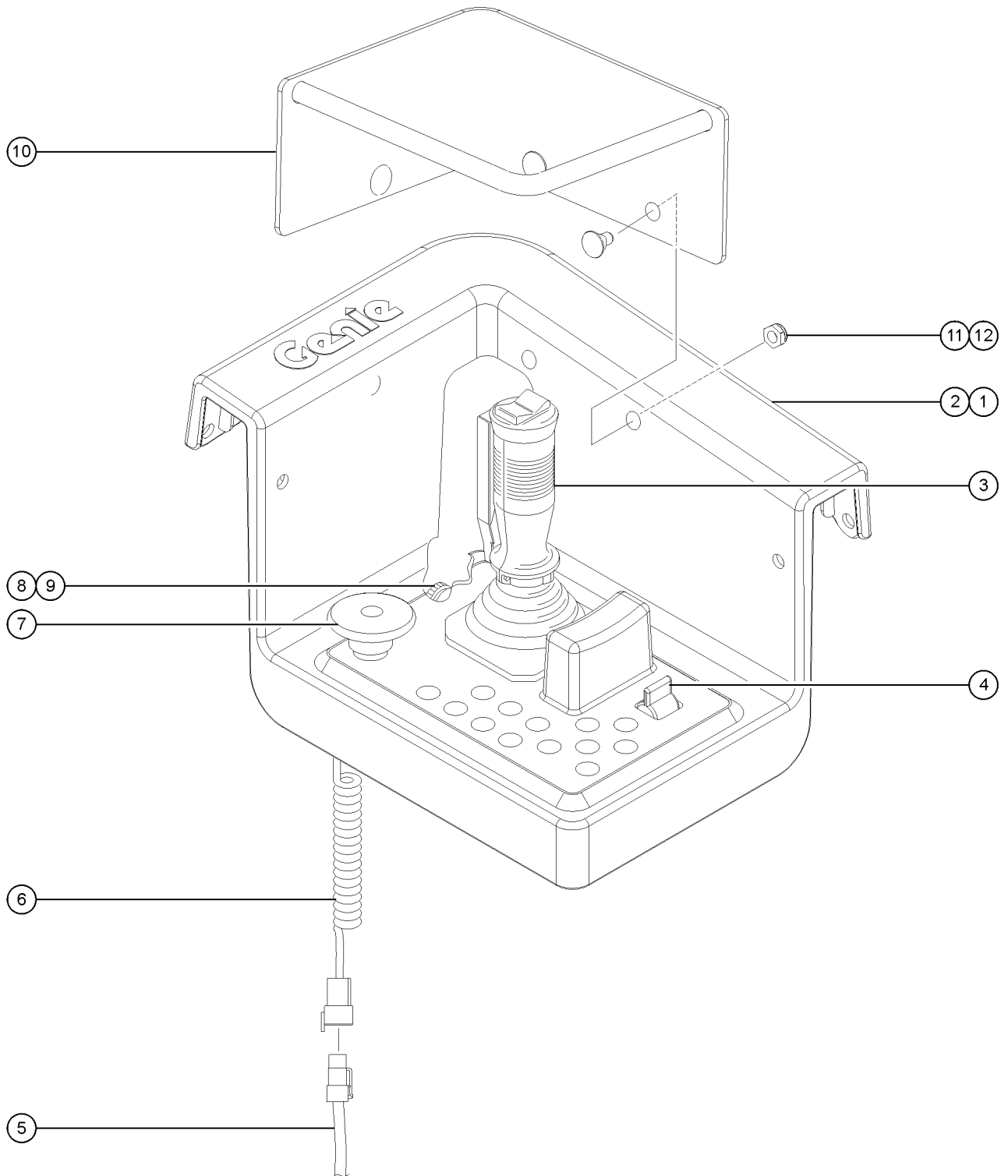
| Item | Part No.  | Description                                 | Qty. |
|------|-----------|---|------|
| 1    | 4828GT    | NUT,NYLOCK,3/8-16.....                      | 4    |
| 2    | 6097GT    | WASHER,FLAT,USS,3/8",Y.....                 | 4    |
| 3    | 6326GT    | SCREW,HHC,3/8-16 X 3.....                   | 4    |
| 4A   | 148422GT  | WLDMT,EXT DECK HANDLE,R.....                | 1    |
| 4B   | T108039GT | WLDMT,EXT DECK HANDLE,L.....<br>(left side) | 1    |
| 5    | 8914GT    | SCREW,HHC,1/4-20 X .625.....                | 2    |
| 6    | T108074GT | UHMW,EXT LATCH ARM CATCH.....               | 2    |
| 7    | 6889GT    | NUT,LP NYLOCK,1/4-20.....                   | 2    |

607.1 Power to Platform



| Item | Part No.  | Description  | Qty. |
|------|-----------|--|------|
| --   | 33724GT   | KIT,GASKET,UK POWER TO PLAT.<br><i>(includes items 14 and 16)</i>  |      |
| 1    | 112772GT  | SCREW,PHM,8-32X.438  |      |
| 2A   | 43956GT   | WIRE CABLE,14/3 CON.TPE<br>JKT*.....624-inches<br>GS-2669  |      |
| 2B   | 43956GT   | WIRE CABLE,14/3 CON.TPE<br>JKT*.....756-inches<br>GS-3369  |      |
| 2C   | 43956GT   | WIRE CABLE,14/3 CON.TPE<br>JKT*.....900-inches<br>GS-4069  |      |
| 3    | 7056GT    | CONN,SQUEEZE,1/2NPT .38-.50,SM   |      |
| 4    | 10775GT   | T-BOX,2.75 X 4.5 X 2.0.....1   |      |
| 5    | 13585GT   | OUTLET, 110V.....1<br><i>(North America)</i>   |      |
| 6    | 7127GT    | SCREW,PHILLIPS,PHM,6-32 X .75  |      |
| 7    | 45437GT   | COVER,GFCI,WEATHERPROOF.....1<br><i>(North America; includes gasket and<br/>mounting fasteners)</i>                    |      |
| 8    | 6595GT    | PLUG,ELECTRICAL,DOMESTIC.....1   |      |
| --   |           | FUSE,13 AMP,220V PLUG<br><i>(component no longer available for plug<br/>25388) refer to BS1362 BUSS<br/>TDC180-13A</i> |      |
| --   | 1280665GT | PLUG, TYPE F, 230A, 50HZ, 16A, IP44  |      |
| --   | 144161GT  | PLUG,PWR,UK,16AMP,3PIN,BLK   |      |
| --   | 25388GT   | PLUG,FUSED,250V,13AMP,U.K.**   |      |
| --   | 87193GT   | PLUG, AUSTRALIAN   |      |
| 9    | 6090GT    | SCREW,HHC,1/4-20 X .75   |      |
| 10   | 6091GT    | NUT,NYLOCK,1/4-20  |      |
| 11   | 45470GT   | CLAMP,0.31,#5 X 1/4,RUB CUSH.....1   |      |
| 12   | 6626GT    | WIRE CAP,ORANGE.....3  |      |
| 13   | 10777GT   | COVER,BLANK.....1<br><i>(includes mounting fasteners)</i>  |      |
| 14   | 66355GT   | GASKET, UK & DIN PWR. TO PLAT.....1  |      |
| 15   | T112563GT | SVC KIT,UK<br>RECEPT.REPLACEMENT.....1   |      |
| 15A  | T112563GT | SVC KIT,UK<br>RECEPT.REPLACEMENT.....1<br><i>to SN GS6912-1574 (includes mounting<br/>plate, gasket, fasteners)</i>    |      |
| 15B  | T112560GT | RECEPTACLE,UK,110V<br><i>from SN GS6912-1575</i>   |      |
| 16   | 66356GT   | GASKET, UK RECEPTACLE.....1  |      |
| 17   | 33629GT   | PLATE,UK POWER TO PLATFORM.....1   |      |
| 18   | 66353GT   | RECEPTACLE, DIN, 220V 50A.....1  |      |
| 19   | 96236GT   | PLATE,AC ADAPTER,DIN/UK***.....1   |      |

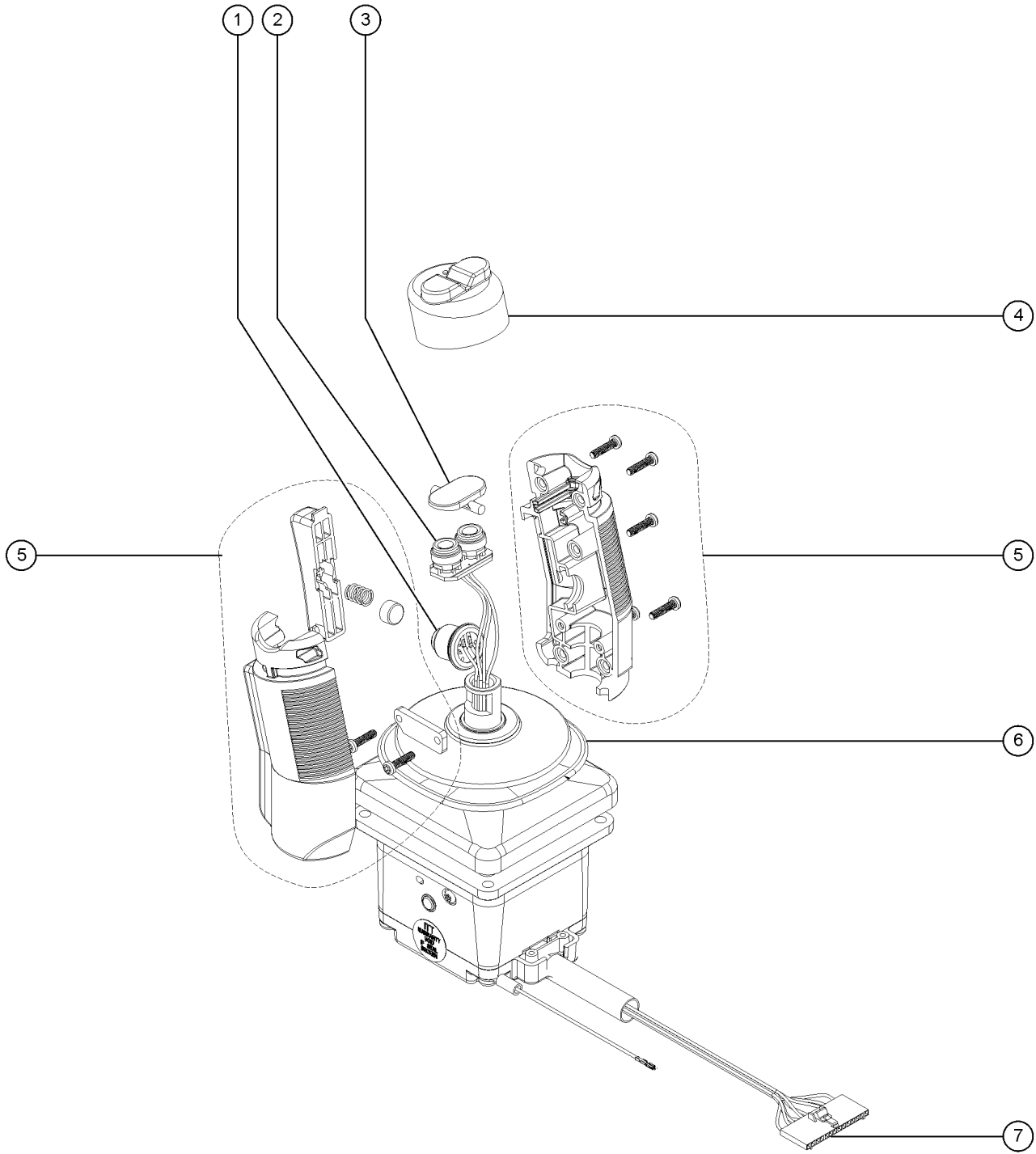
608.1 Platform Controls





| Item | Part No.  | Description  | Qty. |
|------|-----------|--|------|
| --   | 105662GT  | CLEAR SWITCH ACTUATOR  |      |
| --   | 230808GT  | DECAL,PLAT CONTROL PANEL GS69  |      |
| --   | 231083GT  | PLAT CONTROL BOX, GS69 GEN 2<br><i>Complete</i>  |      |
| --   | 99163GT   | PCB,RT PLATFORM CONTROLS***  |      |
| --   | T108044GT | CLEAR SWITCH ACTUATOR(QTY 10)  |      |
| 1    | 87566GT   | HOUSING,RT PLATFORM<br>CONTROLS**.....1<br><i>(top)</i>  | 1    |
| 2    | 87567GT   | COVER,RT PLATFORM<br>CONTROLS***.....1<br><i>(bottom)</i>  | 1    |
| 3    |           | Ref. Joystick Controller<br><i>(refer to 609.1)</i>  |      |
| 4    | 99164GT   | ANALOG ROCKER ASSEMBLY***.....1  | 1    |
| 5    |           | Ref. Control Cable Assembly<br><i>(refer to 408.1)</i>   |      |
| 6    | 144065GT  | KIT,GEN 5 COIL CORD.....1<br><i>(kit, includes connector, coil cord,<br/>instructions, dielectric grease and cable tie;<br/>see below)</i> | 1    |
| 7    | 66812GT   | BUTTON,PUSH,RED MUSHROOM<br>HEAD.....1   | 1    |
| --   | 66817GT   | BASE WITH 1 NC CONTACT, E-STOP   |      |
| --   | 66818GT   | CONTACT, N.C.  |      |
| 8    | 62164GT   | ALARM ASSY,12VDC,ITT,4 PIN****.....1<br><i>72326 nut included</i>  | 1    |
| 9    | 72326GT   | NUT - PLASTIC,RING FOR ALARMS.....1  | 1    |
| 10   | 823341GT  | KIT, PLAT CTRL GUARD RT.....1<br><i>includes items 11 and 12</i>   | 1    |
| --   | 825187GT  | WELDMENT, PLT CTRL GUARD.....1   | 1    |
| 11   | 80149GT   | BOLT,CARRIAGE,1/4-20 X .5,G2.....3   | 3    |
| 12   | 6889GT    | NUT,LP NYLOCK,1/4-20.....3   | 3    |

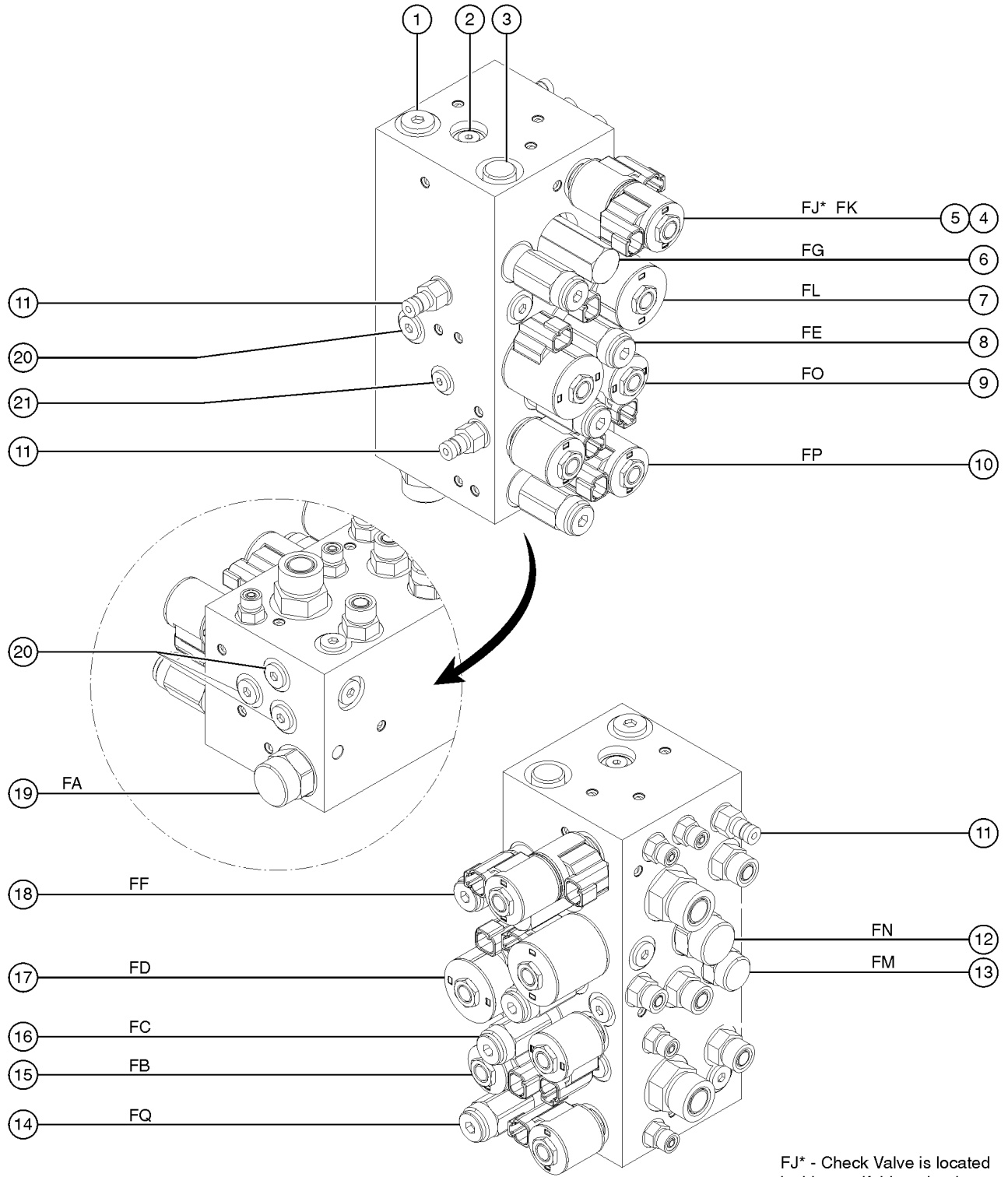
609.1 Platform Controls Joystick



## 609.1 Platform Controls Joystick

| Item | Part No. | Description   | Qty. |
|------|----------|---|------|
| --   | 78903GT  | JOYSTICK,SINGL AXIS,HALL,SLAB*<br><i>OEM Joystick</i>       |      |
| --   | 78903HGT | JOYSTICK,SINGL AXIS,POT,SLAB<br><i>aftermarket joystick</i> |      |
| 1    | 105171GT | KIT,JOYSTICK ENABLE SWITCH.....1                            |      |
| 2    | 105108GT | STEER SWITCH REPAIR KIT***.....1                            |      |
| 3    | 105109GT | TURN SWITCH<br>ACTUATOR,JOYSTICK**.....1                    |      |
| 4    | 97015GT  | BOOT,THUMB ROCKER***.....1                                  |      |
| 5    | 97014GT  | JOYSTICK HANDLE SET,<br>COMPLETE.....1                      |      |
| 6    | 97013GT  | BOOT, JOYSTICK~.....1                                       |      |
| 7    | 105172GT | KIT, PLATFORM PC RECEPT/SOC.....1                           |      |

701.1 Function Manifold

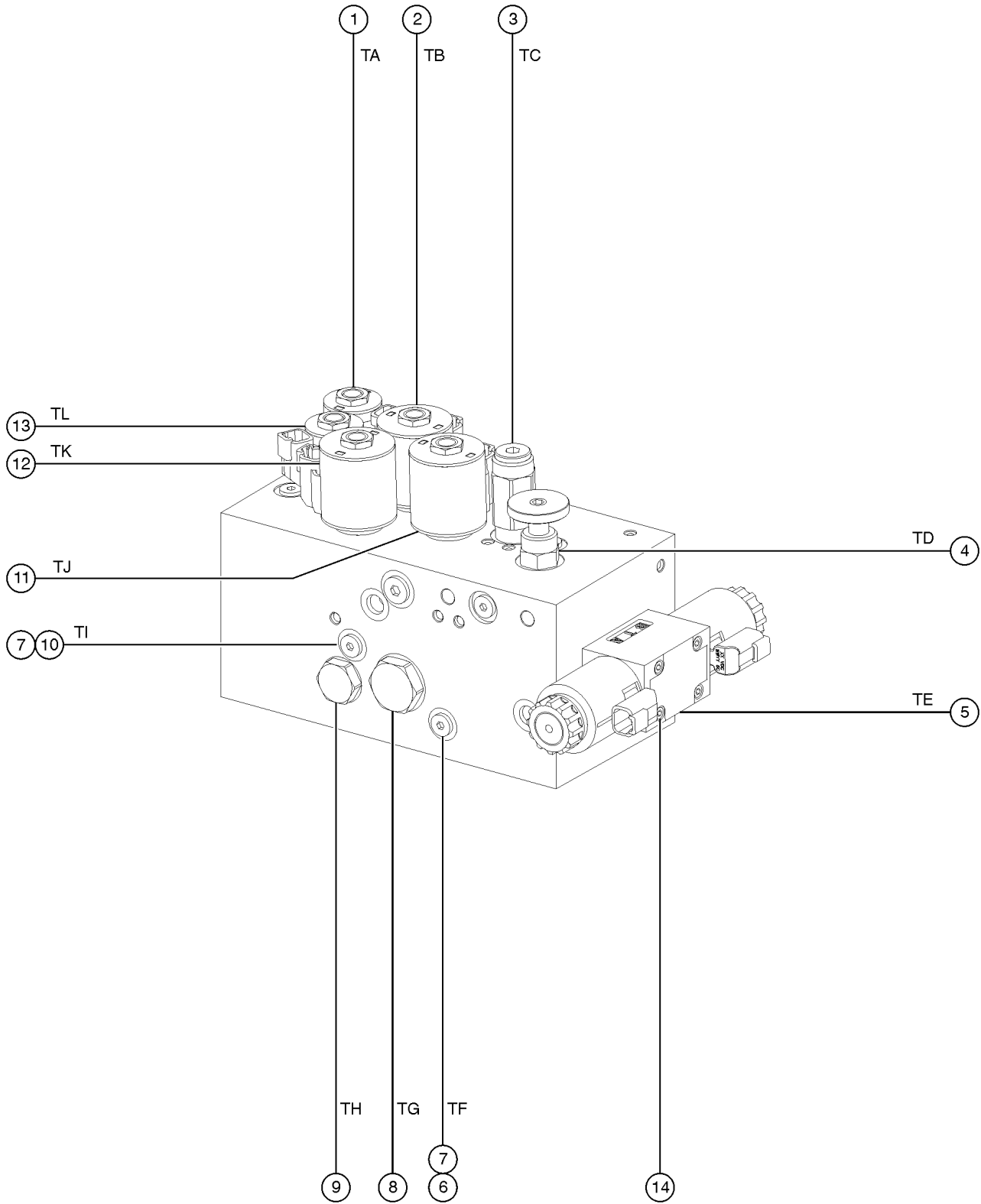


FJ\* - Check Valve is located inside manifold, under the valve cartridge.

## 701.1 Function Manifold

| Item | Part No.  | Description  | Qty. | Item | Part No. | Description   | Qty. |
|------|-----------|--|------|------|----------|---|------|
| --   |           | <i>Use the letter callouts to cross-reference with the Service Manual.</i> |      | --   | 20224GT  | DIAGNOSTIC FEMALE Q-DSCNT<br>(pressure guage not included)      |      |
| --   | 49612GT   | O-RING KIT (ORFS FITTINGS)   |      | --   | 48880GT  | CAP,DIAGNOSTIC NIPPLE   |      |
| --   | 49613GT   | PLUG AND CAP KIT-SERVICE,ORFS*   |      | 12   | 234605GT | VALVE, FLOW CONTROL, P-COMP.....1<br>(FN, Lift / Drive Circuit) |      |
| --   | T107408GT | ASSY,FUNCTION MANIFOLD,GS69<br>(manifold, complete)                        |      | --   | 234604GT | KIT, SEAL   |      |
| 1    | 234613GT  | PLUG, PORT SAE #8 HEX SOCKET.....1   |      | 13   | 234606GT | REGULATOR, FLOW, 6GPM.....1<br>(FM, Meters flow to functions)   |      |
| 2    | 52907GT   | VALVE-CHECK, #4 SAE, 5 PSI*.....1<br>(FH, Differential sensing circuit)    |      | --   | 52378GT  | SEAL KIT,SOLENOID(52377)  |      |
| --   | 62341GT   | SEAL KIT,52907,SIZE 4, 2 WAY   |      | 14   | 234607GT | VALVE, PRESS. CNTRL 15GPM.....1<br>(FQ, Oscillate circuit)      |      |
| 3    | 234598GT  | REGULATOR, FLOW 2GPM.....1<br>(FI, Controls flow to steer circuit)         |      | --   | 62337GT  | SEAL KIT, VALVE   |      |
| --   | 44228GT   | SEAL KIT, VALVE  |      | 15   | 52902GT  | VALVE-SOLENOID,2POS/2WAY.....1<br>(FB, Oscillate float)         |      |
| 4    | 234600GT  | VALVE, SOLENOID, 5W-3P.....1<br>(FK, Steer left / right)                   |      | --   | 104759GT | COIL, 12VDC #8 DTSCH IP69 ECOIL<br>(sold separately)            |      |
| --   | 104759GT  | COIL, 12VDC #8 DTSCH IP69 ECOIL<br>(sold separately)                       |      | --   | 44174GT  | NUT-COIL SHORT  |      |
| --   | 230983GT  | VITON SEAL KIT, VALVE  |      | --   | 44228GT  | SEAL KIT, VALVE   |      |
| --   | 44174GT   | NUT-COIL SHORT   |      | 16   | 234608GT | VALVE, RELIEF, 3300 PSI.....1<br>(FC, Oscillate circuit)        |      |
| --   | 97372GT   | E-COIL WASHER,#8,DUAL COIL   |      | --   | 44227GT  | SEAL KIT, VALVE   |      |
| 5    | 234599GT  | VALVE, CHECK, DROP IN.....1<br>(FJ, Steer circuit)                         |      | 17   | 234609GT | VALVE, SOLENOID 3W-2P.....1<br>(FD, Platform up)                |      |
| 6    | 234602GT  | VALVE, DIRECTIONAL, P-COMP<br>(FG, Proportional valve circuit)             |      | --   | 231092GT | COIL, 10VDC #10 DTSCH NO DIODE<br>(sold separately)             |      |
| --   | 234601GT  | KIT, SEAL  |      | --   | 44174GT  | NUT-COIL SHORT  |      |
| 7    | 234603GT  | VALVE, ELEC-PROP, 2W NC<br>(FL, Lift / Drive circuit)                      |      | --   | 62337GT  | SEAL KIT, VALVE   |      |
| --   | 231092GT  | COIL, 10VDC #10 DTSCH NO DIODE<br>(sold separately)                        |      | 18   | 115206GT | RELIEF VALVE.....1<br>(FF, System relief)                       |      |
| --   | 44174GT   | NUT-COIL SHORT   |      | --   | 44224GT  | SEAL KIT, VALVE   |      |
| --   | 44224GT   | SEAL KIT, VALVE  |      | 19   | 234610GT | REGULATOR, FLOW, 25GPM.....1<br>(FA, Oscillate circuit)         |      |
| 8    | 52374GT   | VALVE,RELIEF,3000PSI,GS68PUMP1<br>(FE, Lift circuit)                       |      | --   | 62339GT  | SEAL KIT,62329,SIZE 12, 3 WAY                                   |      |
| --   | 44227GT   | SEAL KIT, VALVE  |      | 20   | 234611GT | PLUG, PORT SAE#6 HX SOCK.....10                                 |      |
| 9    | 62815GT   | VALVE,SOLENOID,2POS 3 WAY***.....1<br>(FO, Oscillate right)                |      | 21   | 234612GT | PLUG, PORT SAE#4 HX SOCK.....1                                  |      |
| --   | 104759GT  | COIL, 12VDC #8 DTSCH IP69 ECOIL<br>(sold separately)                       |      |      |          |   |      |
| --   | 44174GT   | NUT-COIL SHORT   |      |      |          |   |      |
| --   | 52371GT   | SEAL KIT, VALVE  |      |      |          |   |      |
| 10   | 62815GT   | VALVE,SOLENOID,2POS 3 WAY***.....1<br>(FP, Oscillate left)                 |      |      |          |   |      |
| --   | 104759GT  | COIL, 12VDC #8 DTSCH IP69 ECOIL<br>(sold separately)                       |      |      |          |   |      |
| --   | 44174GT   | NUT-COIL SHORT   |      |      |          |   |      |
| --   | 52371GT   | SEAL KIT, VALVE  |      |      |          |   |      |
| 11   | 48997GT   | NIPPLE,DIAGNOSTIC,#4<br>(testing port)                                     |      |      |          |   |      |

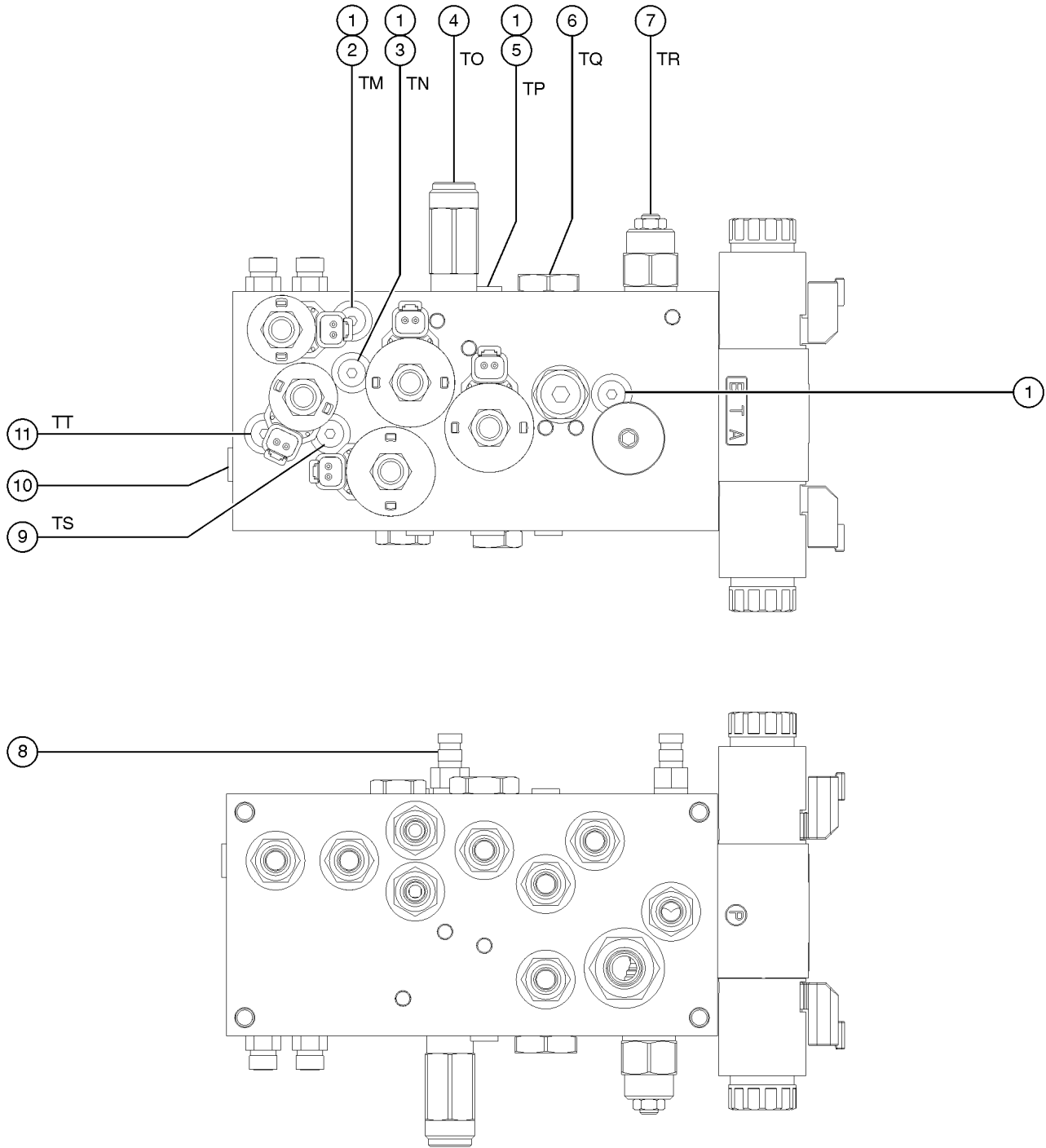
702.1 Traction Manifold, View 1



## 702.1 Traction Manifold, View 1

| Item | Part No.  | Description   | Qty. | Item | Part No. | Description  | Qty. |
|------|-----------|---|------|------|----------|--|------|
| --   |           | <i>Use the letter callouts to cross-reference with the Service Manual.</i>  |      | 12   | 52377GT  | VALVE,SOLENOID,2POS2WY,NCGS68*.1<br>(TK, Allows flow to loop the steer end motors in high drive) | 1    |
| --   | T113085GT | ASSY,TRACTION MANIFOLD,GS69<br>(manifold, complete)   |      | --   | 104760GT | COIL,12VDC #10DTSCH IP69 ECOIL   |      |
| 1    | 52897GT   | VALVE,SOLENOID, 2POS/3WAY***.....1<br>(TA, Brake release)   | 1    | --   | 44174GT  | NUT-COIL SHORT   |      |
| --   | 104759GT  | COIL,12VDC #8 DTSCH IP69 ECOIL  |      | --   | 52378GT  | SEAL KIT,SOLENOID(52377)   |      |
| --   | 44174GT   | NUT-COIL SHORT  |      | 13   | 52897GT  | VALVE,SOLENOID, 2POS/3WAY***.....1<br>(TL, Two speed circuit)                                    | 1    |
| --   | 52371GT   | SEAL KIT, VALVE   |      | --   | 104759GT | COIL,12VDC #8 DTSCH IP69 ECOIL   |      |
| 2    | 234769GT  | VALVE, SOLENOID, 4W-2P.....1<br>(TB, Steer end drive motor circuit)   | 1    | --   | 44174GT  | NUT-COIL SHORT   |      |
| --   | 104760GT  | COIL,12VDC #10DTSCH IP69 ECOIL  |      | --   | 52371GT  | SEAL KIT, VALVE  |      |
| --   | 44174GT   | NUT-COIL SHORT  |      | 14   | 234777GT | BOLT, D03 MOUNTING.....4   | 4    |
| --   | 44230GT   | SEAL KIT-P.N.44169,44172,44171  |      |      |          |  |      |
| 3    | 234770GT  | VALVE, RELIEF, BI-DIR 8GPM.....1<br>(TC, Drive pressure circuit)  | 1    |      |          |  |      |
| --   | 52371GT   | SEAL KIT, VALVE   |      |      |          |  |      |
| 4    | 234771GT  | VALVE, NEEDLE, 10GPM<br>(TD, Enables towing ability)  |      |      |          |  |      |
| --   | 44228GT   | SEAL KIT, VALVE   |      |      |          |  |      |
| 5    | 97368GT   | VLV,SOL,DO3,REXROTH,3POS 4<br>WAY.....1<br>(TE, Drive forward / reverse)  | 1    |      |          |  |      |
| --   | 102395GT  | SEAL KIT,REXROTH DO3 VALVE  |      |      |          |  |      |
| --   | 102396GT  | NUT-COIL,REXROTH DO3 VALVE  |      |      |          |  |      |
| --   | 104764GT  | COIL,12V D03 ZENER DIODE  |      |      |          |  |      |
| 6    | 52910GT   | ORIFICE PLUG, 0.060.....1<br>(TF, Equalizes pressure on both sides of<br>flow divider/combiner valve 17)              | 1    |      |          |  |      |
| 7    | 234612GT  | PLUG, PORT SAE#4 HX SOCK.....2  | 2    |      |          |  |      |
| 8    | 234773GT  | VALVE, FLOW DIV/COMB, 75-25.....1<br>(TG, Controls flow to flow divider / combiner<br>valves 8 and 17)                | 1    |      |          |  |      |
| --   | 234772GT  | KIT, SEAL   |      |      |          |  |      |
| 9    | 234774GT  | VALVE, FLOW DIV/COMB,<br>50-50,12GPM.....1<br>(TH, Controls flow to steer end drive motors<br>in forward and reverse) | 1    |      |          |  |      |
| --   | 44230GT   | SEAL KIT-P.N.44169,44172,44171  |      |      |          |  |      |
| 10   | 52910GT   | ORIFICE PLUG, 0.060.....1<br>(TI, Equalizes pressure on both sides of<br>flow divider/combiner valve 8)               | 1    |      |          |  |      |
| 11   | 52377GT   | VALVE,SOLENOID,2POS2WY,NCGS68*.1<br>(TJ, Allows flow to bypass divider/combiner<br>valve 7 in high drive)             | 1    |      |          |  |      |
| --   | 104760GT  | COIL,12VDC #10DTSCH IP69 ECOIL  |      |      |          |  |      |
| --   | 44174GT   | NUT-COIL SHORT  |      |      |          |  |      |
| --   | 52378GT   | SEAL KIT,SOLENOID(52377)  |      |      |          |  |      |

703.1 Traction Manifold, View 2

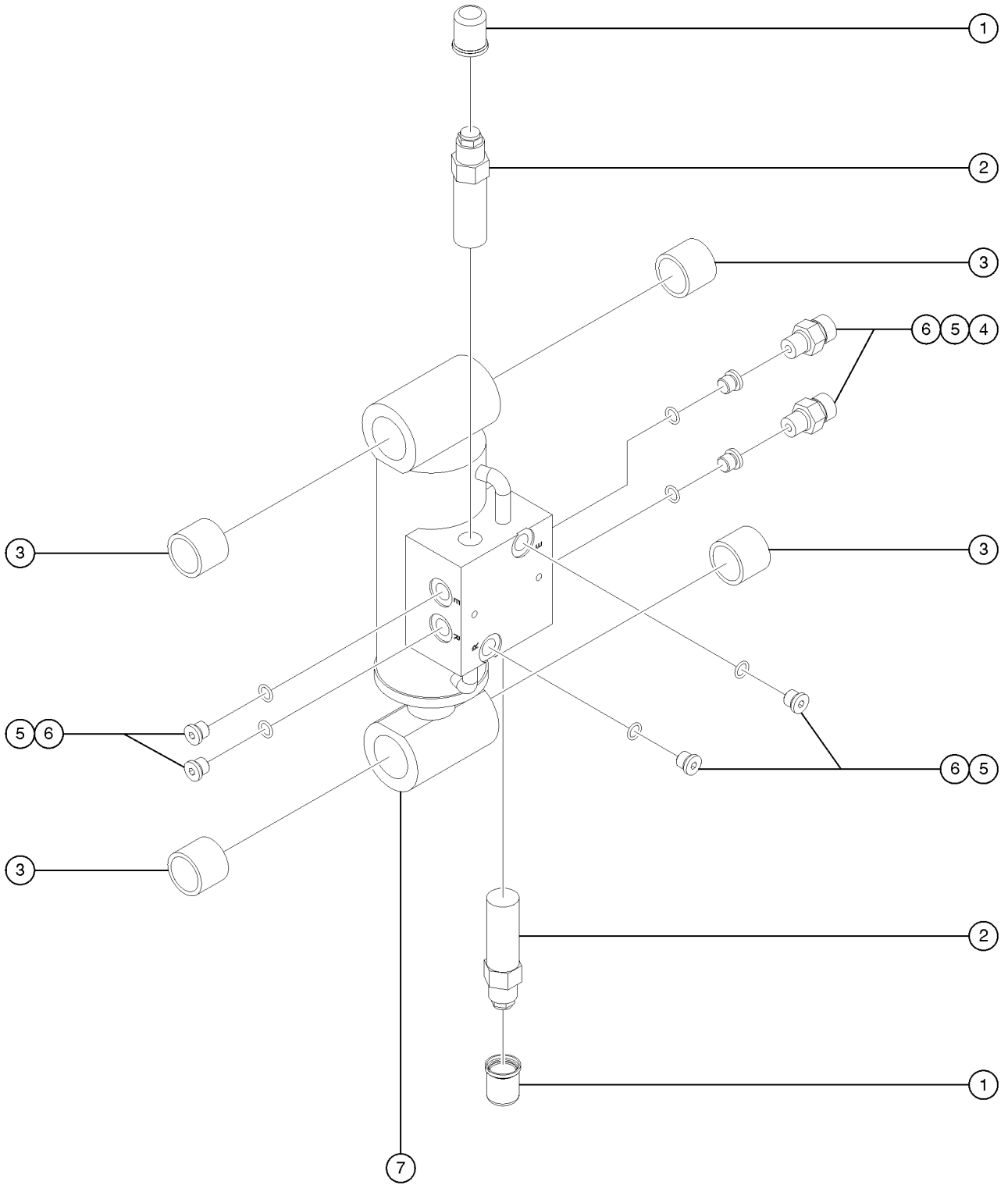




## 703.1 Traction Manifold, View 2

| Item | Part No. | Description  | Qty. |
|------|----------|--|------|
| --   |          | <i>Use the letter callouts to cross-reference with the Service Manual.</i>   |      |
| 1    | 234612GT | PLUG, PORT SAE#4 HX SOCK.....  | 4    |
| 2    | 101067GT | ORIFICE PLUG,030,1/16-27 NPT.....<br><i>(TM, Brake release)</i>  | 1    |
| 3    | 101067GT | ORIFICE PLUG,030,1/16-27 NPT.....<br><i>(TN, Two-speed circuit)</i>  | 1    |
| 4    | 234775GT | VALVE, PRESS. REDUCING, 250PSI.....<br><i>(TO, Two-speed and brake circuit)</i>  | 1    |
| --   | 105695GT | SEAL KIT   |      |
| 5    | 62207GT  | ORIFICE PLUG, 0.035.....<br><i>(TP, Equalizes pressure on both sides of flow divider/combiner valve 7)</i>                   | 1    |
| 6    | 234776GT | VALVE, FLOW DIV/COMB,50-50,<br>24GPM.....<br><i>(TQ, Controls flow to non-steer end drive motors in forward and reverse)</i> | 1    |
| --   | 234772GT | KIT, SEAL  |      |
| 7    | 229079GT | VALVE, CV 4.5:1, 3500 PSI.....<br><i>(TR, Traction relief)</i>   | 1    |
| --   | 102685GT | SEAL KIT,SUN T-2A CP VALVE   |      |
| 8    | 48997GT  | NIPPLE,DIAGNOSTIC,#4.....<br><i>(testing port)</i>   | 1    |
| 9    | 52907GT  | VALVE-CHECK, #4 SAE, 5 PSI*.....<br><i>(TS, Two-speed circuit)</i>   | 1    |
| --   | 62341GT  | SEAL KIT,52907,SIZE 4, 2 WAY   |      |
| 10   | 234611GT | PLUG, PORT SAE#6 HX SOCK.....  | 1    |
| 11   | 52907GT  | VALVE-CHECK, #4 SAE, 5 PSI*.....<br><i>(TT, Brake circuit)</i>   | 1    |
| --   | 62341GT  | SEAL KIT,52907,SIZE 4, 2 WAY   |      |

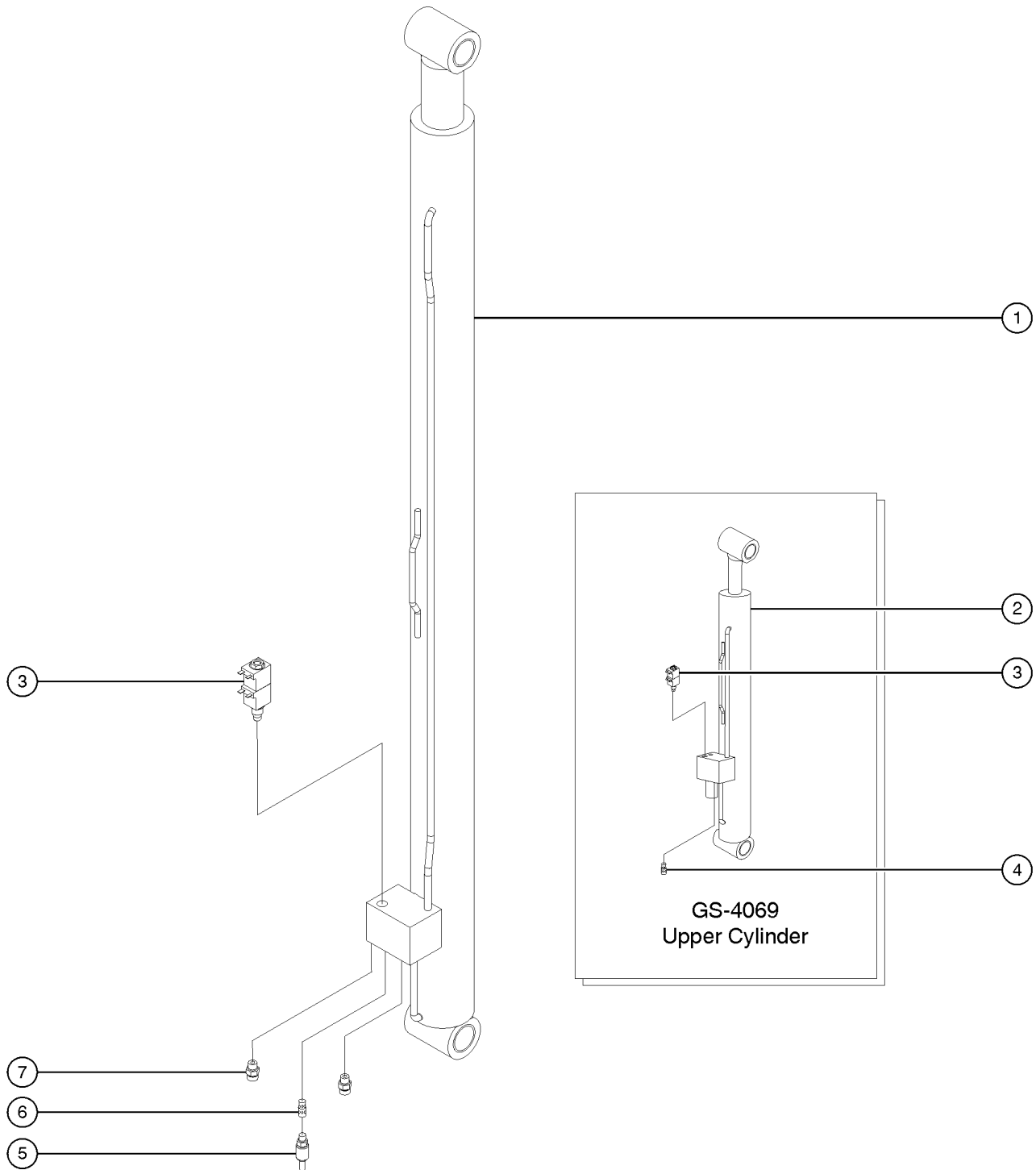
704.1 Oscillate Cylinders, All Models



## 704.1 Oscillate Cylinders, All Models

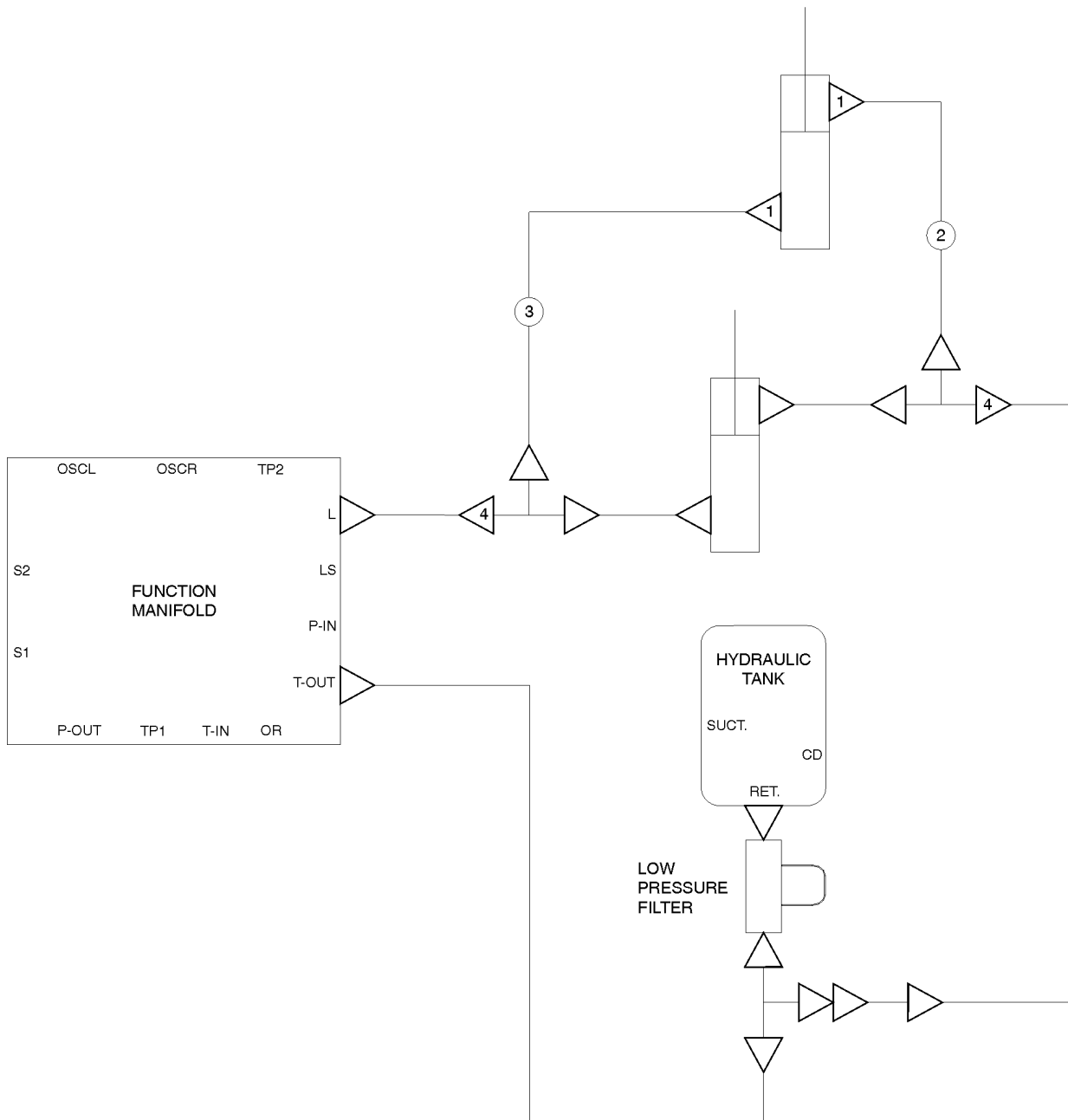
| Item | Part No. | Description  | Qty. |
|------|----------|--|------|
| 1    | 128085GT | CAP,SERIES 1 CB VALVE,SINGLE**.....2                           |      |
| 2    | 115402GT | VALVE,COUNTERBALNCE,3800 PSI.....2                             |      |
| 3    | 227492GT | BEARING,1.00IDX1.25ODX1.00L**.....4                            |      |
| 4    | 48905GT  | CONN,520120-4***.....2   |      |
| 5    | 39882GT  | PLUG,HEX SOCKET,090109B-4.....6                                |      |
| 6    | 53500GT  | O-RING-4.....6   |      |
| 7    | 131621GT | CYLINDER,OSCILATING,GS69.....1<br>(includes items 1, 2, and 5) |      |
| --   | 226380GT | SEAL KIT,226380  |      |

705.1 Lift Cylinders



| Item | Part No.  | Description  | Qty. |
|------|-----------|--|------|
| 1    | 131920GT  | CYLINDER, LIFT, LOWER, GS69.....1  |      |
| --   | 226378GT  | SEAL KIT,LIFT,LOWER (131920)<br><i>for 131920</i>                                  |      |
| 2    | 131921GT  | CYLINDER,LIFT,UPPER,4069.....1<br><i>GS-4069 RT</i>                                |      |
| --   | 1261085GT | VALVE, RELIEF, 2500PSI<br><i>(for 131921)</i>                                      |      |
| --   | 226379GT  | SEAL KIT,LIFT,UPPER (131921)<br><i>(for 131921)</i>                                |      |
| --   | 44227GT   | SEAL KIT, VALVE<br><i>for 97130</i>  |      |
| 3A   | 87190GT   | VALVE,DOUBLE PULL SOL SQ 12V.....1<br><i>(to SN GS6915-6383)</i>                   |      |
| --   | 44973GT   | NUT,COIL (39909)<br><i>(to SN GS6915-6383)</i>                                     |      |
| --   | 84421GT   | WASHER-SOLENOID VALVE (66683)*<br><i>(to SN GS6915-6383)</i>                       |      |
| --   | 84423GT   | VALVE,2 POSITION 2 WAY***<br><i>(to SN GS6915-6383)</i>                            |      |
| --   | 87191GT   | COIL,SQUARE,12VDC***<br><i>(to SN GS6915-6383)</i>                                 |      |
| 3B   | 1265332GT | VALVE, NC PROP POPPET, 12VDC<br><i>(from SN GS6915-6384); replaced 1259446</i>     |      |
| --   | 104759GT  | COIL,12VDC #8 DTSCH IP69 ECOIL<br><i>(from SN GS6915-6384)</i>                     |      |
| --   | 1265367GT | VALVE, NC PROPORTIONAL POPPET  |      |
| --   | 44227GT   | SEAL KIT, VALVE  |      |
| --   | 44973GT   | NUT,COIL (39909)<br><i>(from SN GS6915-6384)</i>                                   |      |
| 4A   | 55558GT   | ORIFICE,LONG, .037*** .....1<br><i>CE/AUS only; from GS6915-6574</i>               |      |
| 4B   | 55559GT   | ORIFICE,LONG, .046.....1<br><i>GS-4069 RT</i>                                      |      |
| 5    | 104935GT  | SWITCH, PRESSURE,0-3000PSI ADJ...1<br><i>(refer to 408.1 for harness assembly)</i> |      |
| 6A   | 230858GT  | ORIFICE,LONG, .086"  |      |
| 6B   | 214817GT  | ORIFICE,LONG,.076"<br><i>CE/AUS only; from GS6915-6574</i>                         |      |
| 7    | 48916GT   | CONN, 520120-6.....1   |      |

706.1 Hydraulic Hoses and Fittings, Lift Cylinder, GS-4069 RT

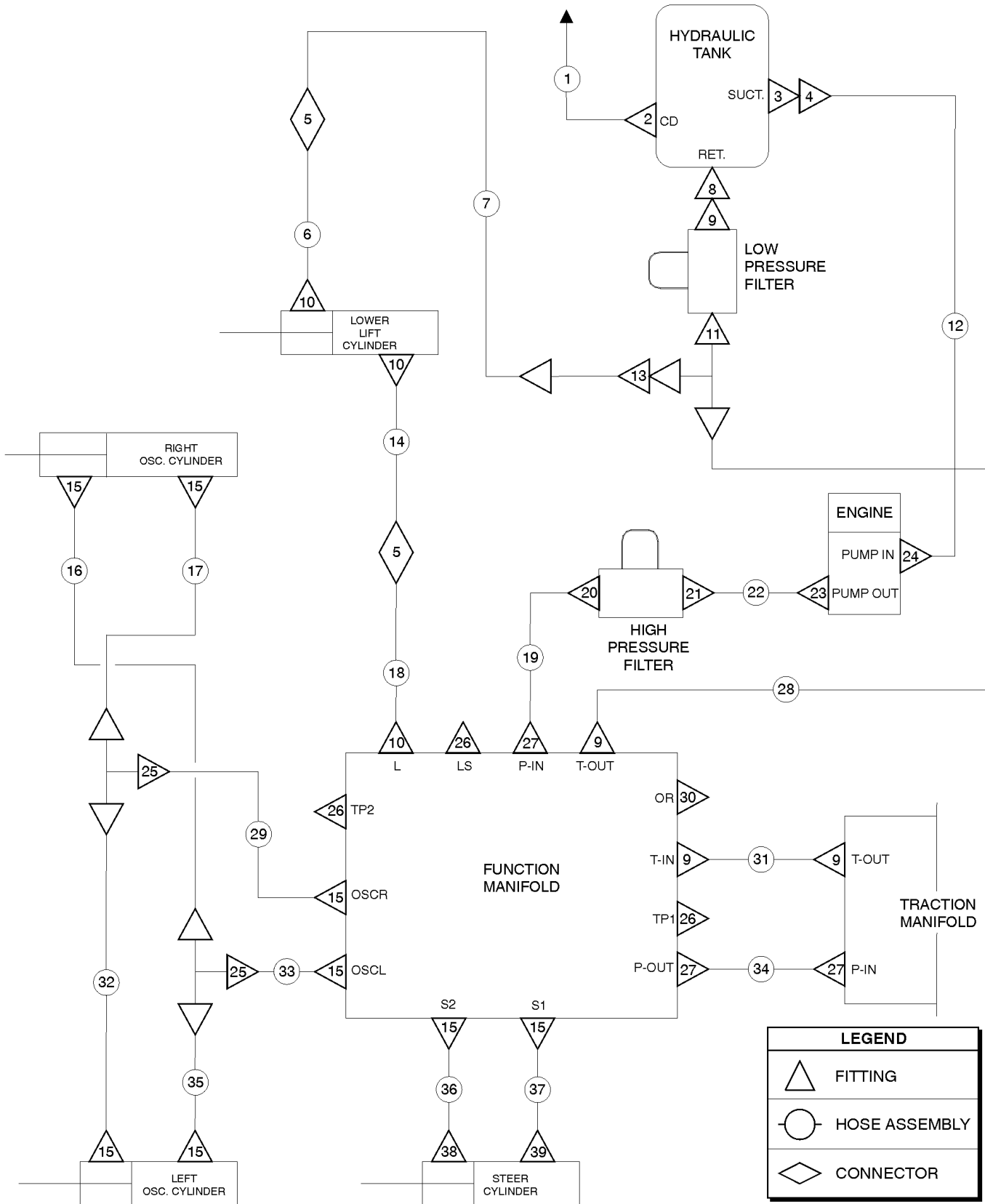


| LEGEND |               |
|--------|---------------|
|        | FITTING       |
|        | HOSE ASSEMBLY |
|        | CONNECTOR     |

## 706.1 Hydraulic Hoses and Fittings, Lift Cylinder, GS-4069 RT

| Item | Part No. | Description   | Qty. |
|------|----------|---|------|
| 1    | 48916GT  | CONN, 520120-6.....   | 2    |
| 2    | 227479GT | HOSE ASSY,RET(ULCYL)-RET(TEE).....1<br>(components: 48812, 48816, 48753 @ 410<br>inches)      |      |
| 3    | 227478GT | HOSE<br>ASSY,PRESS(TEE)-PRESS(ULC).....1<br>(components: 48812, 48816, 56776 @ 410<br>inches) |      |
| 4    | 227614GT | TEE,BULKHEAD,RUN,520120-6.....  | 2    |

707.1 Hydraulic Hoses and Fittings, View 1

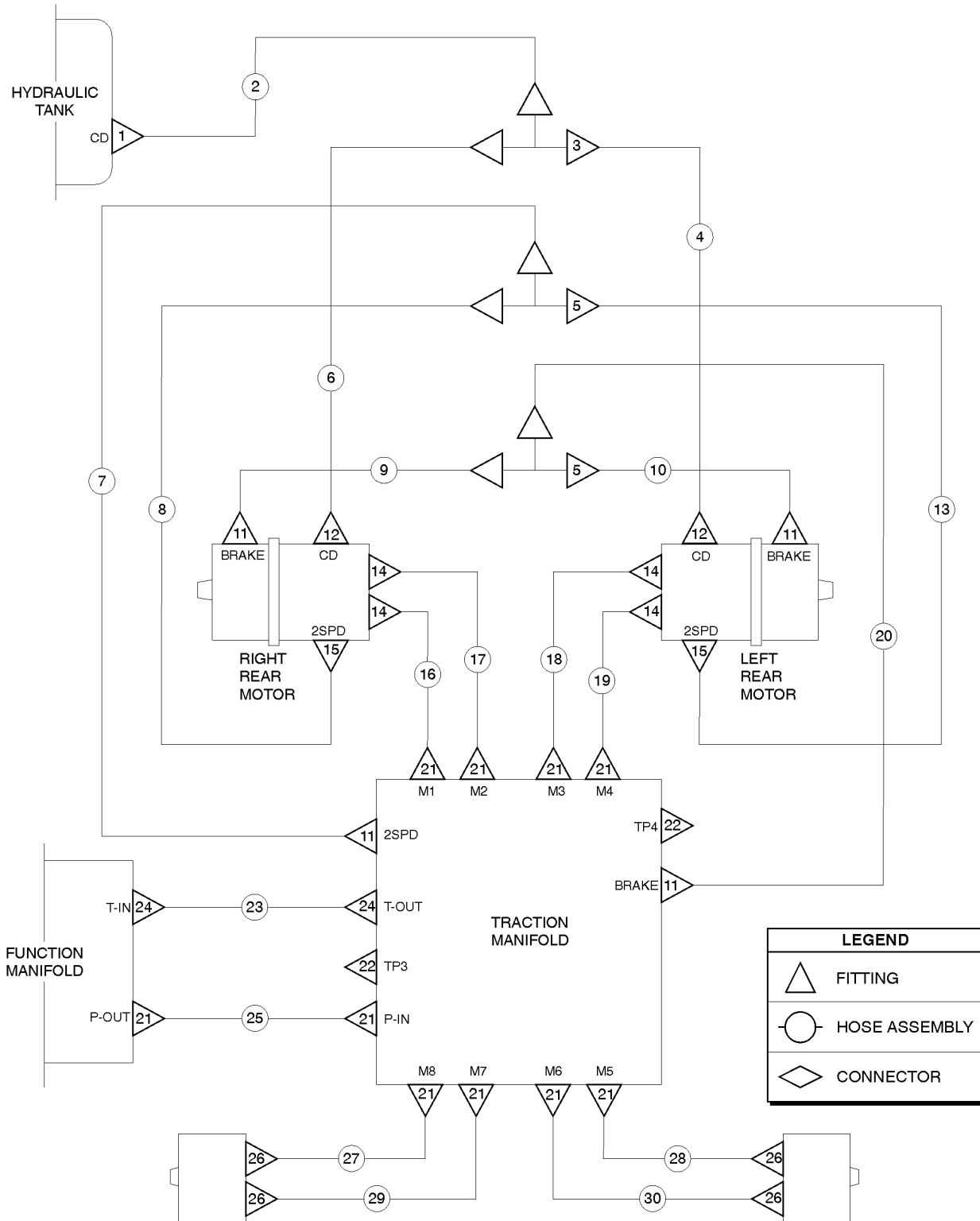




## 707.1 Hydraulic Hoses and Fittings, View 1

| Item | Part No.  | Description  | Qty. | Item | Part No. | Description   | Qty. |
|------|-----------|--|------|------|----------|---|------|
| 1    | 227462GT  | HOSE ASSY, CD(TEE)-CD(TANK).....1<br>(components: 77949, 77949, 75631 @ 72 inches)                                 | 1    | 23   | 139877GT | ELBOW,90D,520220-8-10.....1   | 1    |
| 2    | 48915GT   | ELBOW,90D,520220-6.....1   | 1    | 24A  | 48985GT  | ELBOW,45D,520320-16.....1<br>(to SN 9100)   | 1    |
| 3    | 147419GT  | KIT,STRAINER REPLACEMENT.....1   | 1    | 24B  | 48984GT  | CONN,520120-16.....1<br>(Diesel only from SN 9101)                                    | 1    |
| 4    | 229625GT  | CONN, LONG, ORFS-ORB, -16-16.....1   | 1    | 24C  | 48983GT  | ELBOW,90D,520220-16.....1<br>(Dual fuel only from SN 9101)                            | 1    |
| 5    | 227613GT  | UNION,BULKHEAD,ORFS,-6-6.....2   | 2    | 25   | 48909GT  | TEE,BULKHEAD,RUN,520958-4.....2   | 2    |
| 6    | 227473GT  | HOSE ASSY,RET(LLCYL)-RET(TEE).....1<br>(components: 48812, 48812, 48753 @ 128 inches)                              | 1    | 26   | 48997GT  | NIPPLE,DIAGNOSTIC,#4.....3  | 3    |
| 7    | 227474GT  | HOSE ASSY,RET(TEE)-TANK.....1<br>(components: 48812, 48812, 48753 @ 75 inches)                                     | 1    | 27   | 48933GT  | CONN,520120-8***.....2  | 2    |
| 8    | 229305GT  | CONN, FFSS-MORB, 520181-12.....1   | 1    | 28   | 227470GT | HOSE ASSY,T.OUT(F.MF)-TANK.....1<br>(components: 48809, 56354, 39889 @ 22 inches)     | 1    |
| 9    | 48960GT   | FITTING,CONN,520120-12***.....3  | 3    | 29   | 227609GT | HOSE ASSY,OSCR(F.MF)-OSC(TEE).....1<br>(components: 48800, 48800, 48751 @ 74 inches)  | 1    |
| 10   | 48916GT   | CONN, 520120-6.....3   | 3    | 30   | 48883GT  | PLUG,HEX,090109A-8***.....1   | 1    |
| 11   | 48961GT   | TEE,RUN,520428-12.....1  | 1    | 31   | 227465GT | HOSE ASSY,T.OUT(T.MF)-T.IN(F.M.....1<br>(components: 48841, 48841, 48761 @ 24 inches) | 1    |
| 12A  | 227475GT  | HOSE ASSY,SUCT(TANK)-IN(PUMP).....1<br>(components: 229624, 48854, 48767 @ 48 inches) (to SN 9100)                 | 1    | 32   | 227610GT | HOSE ASSY,OSC(TEE)-R(L.OSC.CYL...1<br>(components: 48800, 48802, 48751 @ 19.5 inches) | 1    |
| 12B  | 1273617GT | HOSE ASSY, HYD, 90D,90D,PERP.....1<br>(components: 229624, 229624, 48764 @ 48 inches) (Diesel only from SN 9101)   | 1    | 33   | 227468GT | HOSE ASSY,OSC(F.MF)-OSC(TEE).....1<br>(components: 48800, 48800, 48751 @ 74 inches)   | 1    |
| 12C  | 1273618GT | HOSE ASSY, HYD, 90D,90D,PRL.....1<br>(components: 229624, 229624, 48764 @ 48 inches) (Dual fuel only from SN 9101) | 1    | 34   | 227464GT | HOSE ASY,P.OUT(F.MF)-P.IN(T.MF.....1<br>(components: 48822, 48822, 56777 @ 24 inches) | 1    |
| 13   | 87033GT   | REDUCER,520123-12-6.....1  | 1    | 35   | 227469GT | HOSE ASSY,OSC(TEE)-E(L.OSC.CYL...1<br>(components: 48800, 48802, 48751 @ 19.5 inches) | 1    |
| 14   | 227472GT  | HOSE ASSY,PRESS(TEE)-PRESS(LLC.....1<br>(components: 48812, 48812, 56776 @ 128 inches)                             | 1    | 36   | 227467GT | HOSE ASSY,S2(F.MF)-R(STRCYL).....1<br>(components: 48800, 48801, 48751 @ 81 inches)   | 1    |
| 15   | 48905GT   | CONN,520120-4***.....8   | 8    | 37   | 227466GT | HOSE ASSY,S1(F.MF)-B(STRCYL).....1<br>(components: 48800, 48801, 48751 @ 74 inches)   | 1    |
| 16   | 227611GT  | HOSE ASSY,OSC(TEE)-E(R.OSC.CYL.....1<br>(components: 48800, 48802, 48751 @ 19.5 inches)                            | 1    | 38   | 48911GT  | ELBOW,90D,520220-4-6***.....1   | 1    |
| 17   | 227612GT  | HOSE ASSY,OSC(TEE)-R(R.OSC.CYL.....1<br>(components: 48800, 48802, 48751 @ 19.5 inches)                            | 1    | 39   | 48912GT  | CONN,520120-4-6***.....1  | 1    |
| 18   | 227471GT  | HOSE ASSY,LIFT(F.MF)-P(TEE).....1<br>(components: 48812, 48812, 56776 @ 62 inches)                                 | 1    |      |          |   |      |
| 19   | 227477GT  | HOSE ASSY,HP FILTER-P.IN(F.MF).....1<br>(components: 48822, 48826, 56777 @ 65 inches)                              | 1    |      |          |   |      |
| 20   | 48947GT   | ELBOW,90D,520220-8-12.....1  | 1    |      |          |   |      |
| 21   | 48948GT   | CONN,520120-8-12.....1   | 1    |      |          |   |      |
| 22   | 227476GT  | HOSE ASSY,OUT(PUMP)-HP FILTER...1<br>(components: 48822, 48826, 56777 @ 43 inches)                                 | 1    |      |          |   |      |

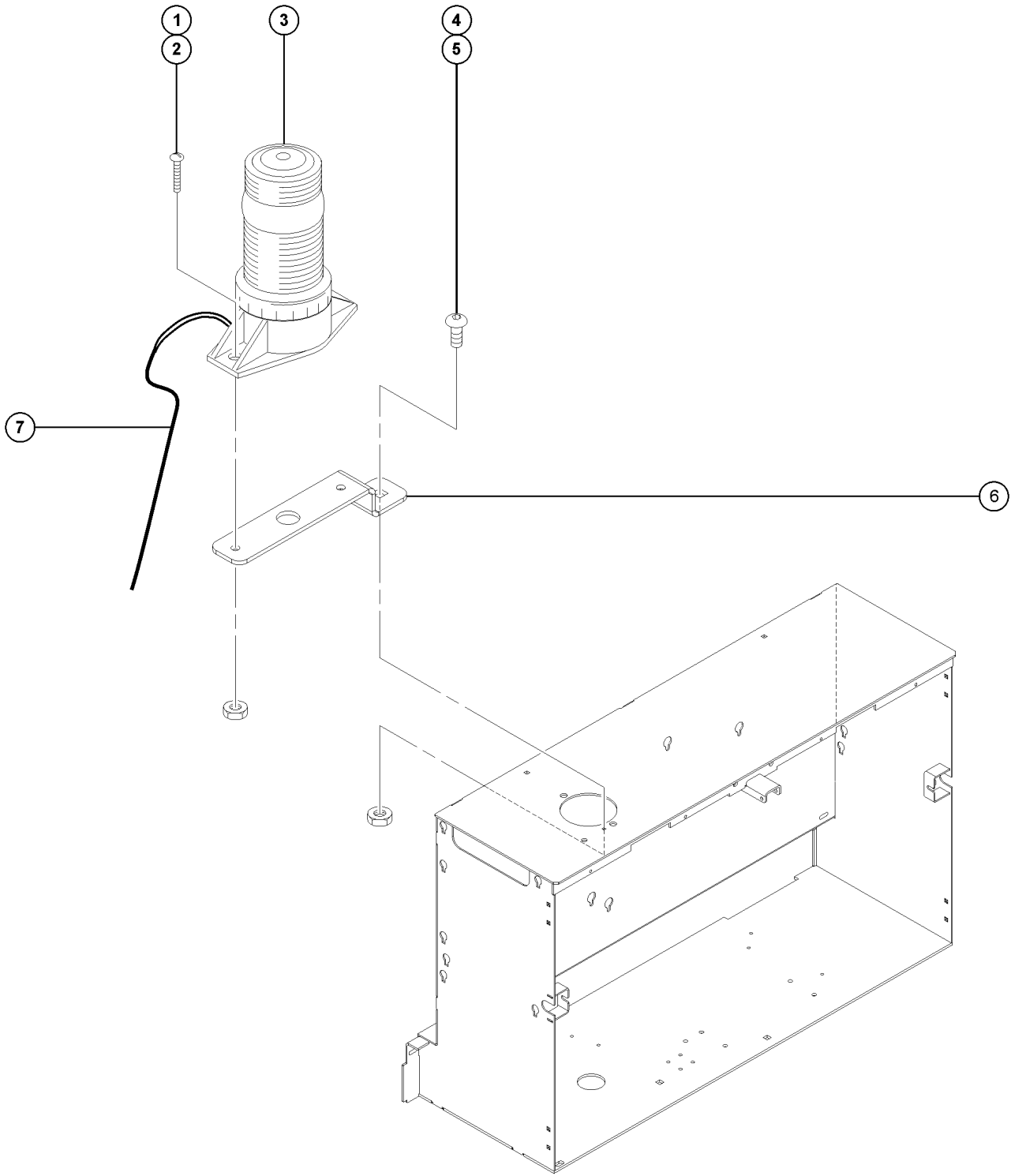
708.1 Hydraulic Hoses and Fittings, View 2



## 708.1 Hydraulic Hoses and Fittings, View 2

| Item | Part No. | Description  | Qty. | Item | Part No. | Description   | Qty. |
|------|----------|--|------|------|----------|---|------|
| 1    | 48915GT  | ELBOW,90D,520220-6   |      | 24   | 48960GT  | FITTING,CONN,520120-12***.....1   |      |
| 2    | 227462GT | HOSE ASSY, CD(TEE)-CD(TANK)<br>(components: 77949, 77949, 75631 @ 72 inches)           |      | 25   | 227464GT | HOSE ASSY,P.OUT(F.MF)-P.IN(T.MF).....1<br>(components: 48822, 48822, 56777 @ 24 inches) |      |
| 3    | 227614GT | TEE,BULKHEAD,RUN,520120-6.....1  |      | 26   | 48943GT  | CONN, 520120-8-6.....4  |      |
| 4    | 227463GT | HOSE ASSY, CD(LR.MTR)-CD(TEE).....1<br>(components: 77949, 77949, 75631 @ 28 inches)   |      | 27   | 227600GT | HOSE ASSY, M8(T.MF)-A(RF.MTR).....1<br>(components: 48822, 48825, 56777 @ 86 inches)    |      |
| 5    | 48909GT  | TEE,BULKHEAD,RUN,520958-4.....2  |      | 28   | 227458GT | HOSE ASSY,M5(T.MF)-A(LF.MTR).....1<br>(components: 48812, 48815, 56776 @ 19 inches)     |      |
| 6    | 227608GT | HOSE ASSY,CD(RR.MTR)-CD(TEE).....1<br>(components: 77949, 77949, 75631 @ 28 inches)    |      | 29   | 227599GT | HOSE ASSY, M7(T.MF)-B(RF.MTR).....1<br>(components: 48822, 48825, 56777 @ 86 inches)    |      |
| 7    | 227604GT | HOSE ASSY,2SPD(T.MF)-2SPD(TEE)....1<br>(components: 48800, 48802, 48751 @ 56 inches)   |      | 30   | 227598GT | HOSE ASSY, M6(T.MF)-B(LF.MTR).....1<br>(components: 48822, 48825, 56777 @ 86 inches)    |      |
| 8    | 227607GT | HOSE ASSY,2SP(TEE)-2SP(RR.MTR)...1<br>(components: 48800, 48800, 48751 @ 30 inches)    |      |      |          |   |      |
| 9    | 227605GT | HOSE ASSY,BRK(TEE)-BRK(RR.MTR).....1<br>(components: 48800, 48800, 48751 @ 30 inches)  |      |      |          |   |      |
| 10   | 227461GT | HOSE ASSY,BRK(TEE)-BRK(LR.MTR).....1<br>(components: 48800, 48800, 48751 @ 30 inches)  |      |      |          |   |      |
| 11   | 48905GT  | CONN,520120-4***.....4   |      |      |          |   |      |
| 12   | 48929GT  | FITTING,ELBOW,90D,520220-6-8.....2   |      |      |          |   |      |
| 13   | 227606GT | HOSE ASSY,2SP(TEE)-2SP(LR.MTR)....1<br>(components: 48800, 48800, 48751 @ 30 inches)   |      |      |          |   |      |
| 14   | 48947GT  | ELBOW,90D,520220-8-12.....4  |      |      |          |   |      |
| 15   | 48912GT  | CONN,520120-4-6***.....2   |      |      |          |   |      |
| 16   | 227602GT | HOSE ASSY, M1(T.MF)-B(RR.MTR).....1<br>(components: 48822, 48822, 56777 @ 76 inches)   |      |      |          |   |      |
| 17   | 227603GT | HOSE ASSY, M2(T.MF)-A(RR.MTR).....1<br>(components: 48822, 48822, 56777 @ 76 inches)   |      |      |          |   |      |
| 18   | 227459GT | HOSE ASSY,M3(T.MF)-A(LR.MTR).....1<br>(components: 48822, 48822, 56777 @ 76 inches)    |      |      |          |   |      |
| 19   | 227601GT | HOSE ASSY, M4(T.MF)-B(LR.MTR).....1<br>(components: 48822, 48822, 56777 @ 76 inches)   |      |      |          |   |      |
| 20   | 227460GT | HOSE ASSY,BRK(T.MF)-BRK(TEE).....1<br>(components: 48800, 48802, 48751 @ 56 inches)    |      |      |          |   |      |
| 21   | 48933GT  | CONN,520120-8***.....9   |      |      |          |   |      |
| 22   | 48997GT  | NIPPLE,DIAGNOSTIC,#4.....2   |      |      |          |   |      |
| 23   | 227465GT | HOSE ASSY,T.OUT(T.MF)-T.IN(F.M).....1<br>(components: 48841, 48841, 48761 @ 24 inches) |      |      |          |   |      |

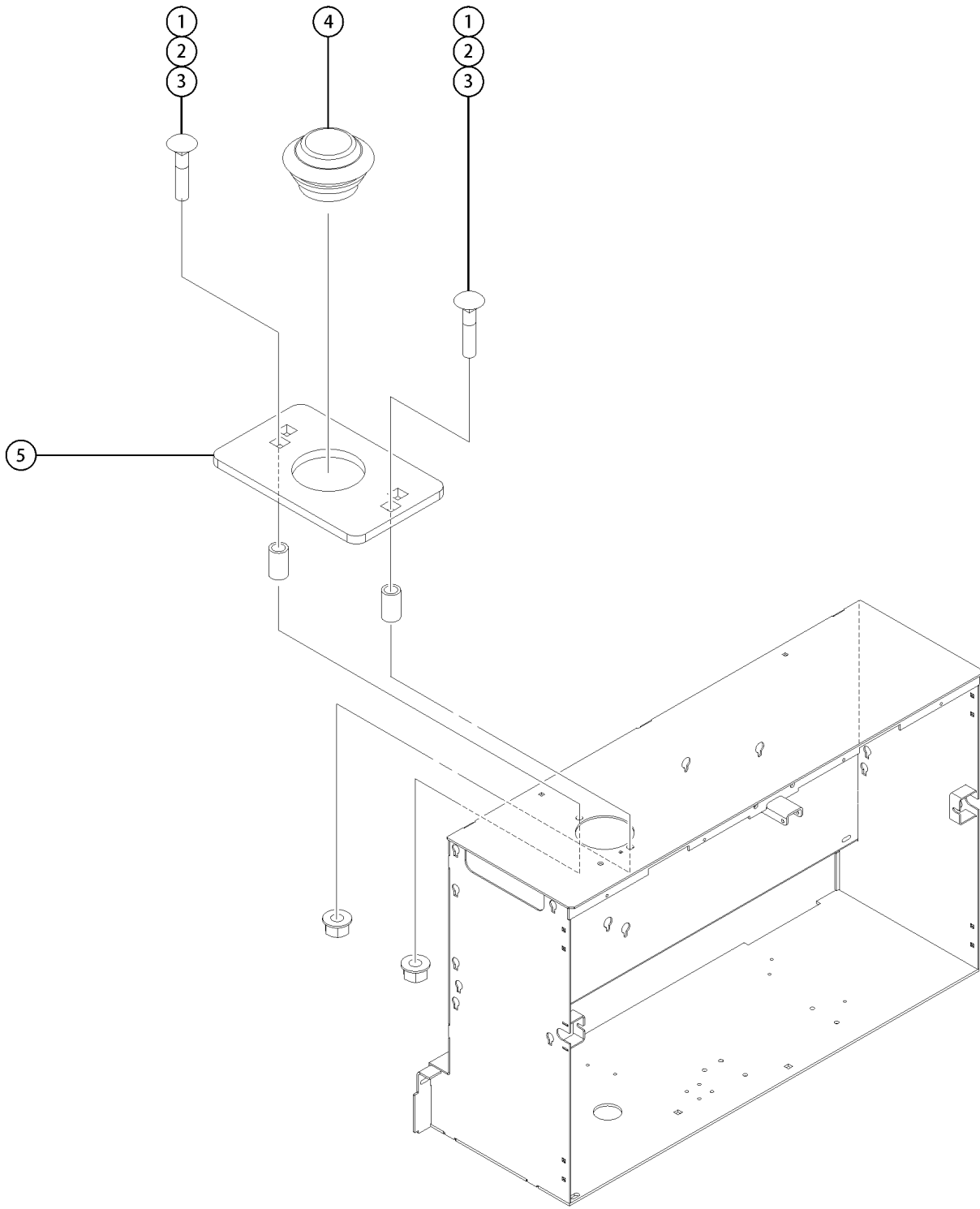
801.1 Flashing Motion Beacon (to SN GS6916F-9067)



## 801.1 Flashing Motion Beacon (to SN GS6916F-9067)

| Item | Part No. | Description                       | Qty. |
|------|----------|-----------------------------------|------|
| 1    | 49816GT  | SCREW,PHILLIPS,PHM,10-32 X .75    |      |
| 2    | 6178GT   | NUT,NYLOCK,10-32                  |      |
| 3    | 87265GT  | BEACON LIGHT ASSY.....            | 2    |
| --   | 105556GT | LENS,FLASHING BEACON<br>for 87265 |      |
| --   | 105557GT | BULB,FLASHING BEACON<br>for 87265 |      |
| 4    | 6878GT   | BOLT,CARRIAGE,1/4-20 X .75,G2     |      |
| 5    | 6091GT   | NUT,NYLOCK,1/4-20                 |      |
| 6    | 79374GT  | FORMING,BEACON MOUNT.....         | 2    |
| 7    | 148076GT | HARNES,BEACON,GS69                |      |

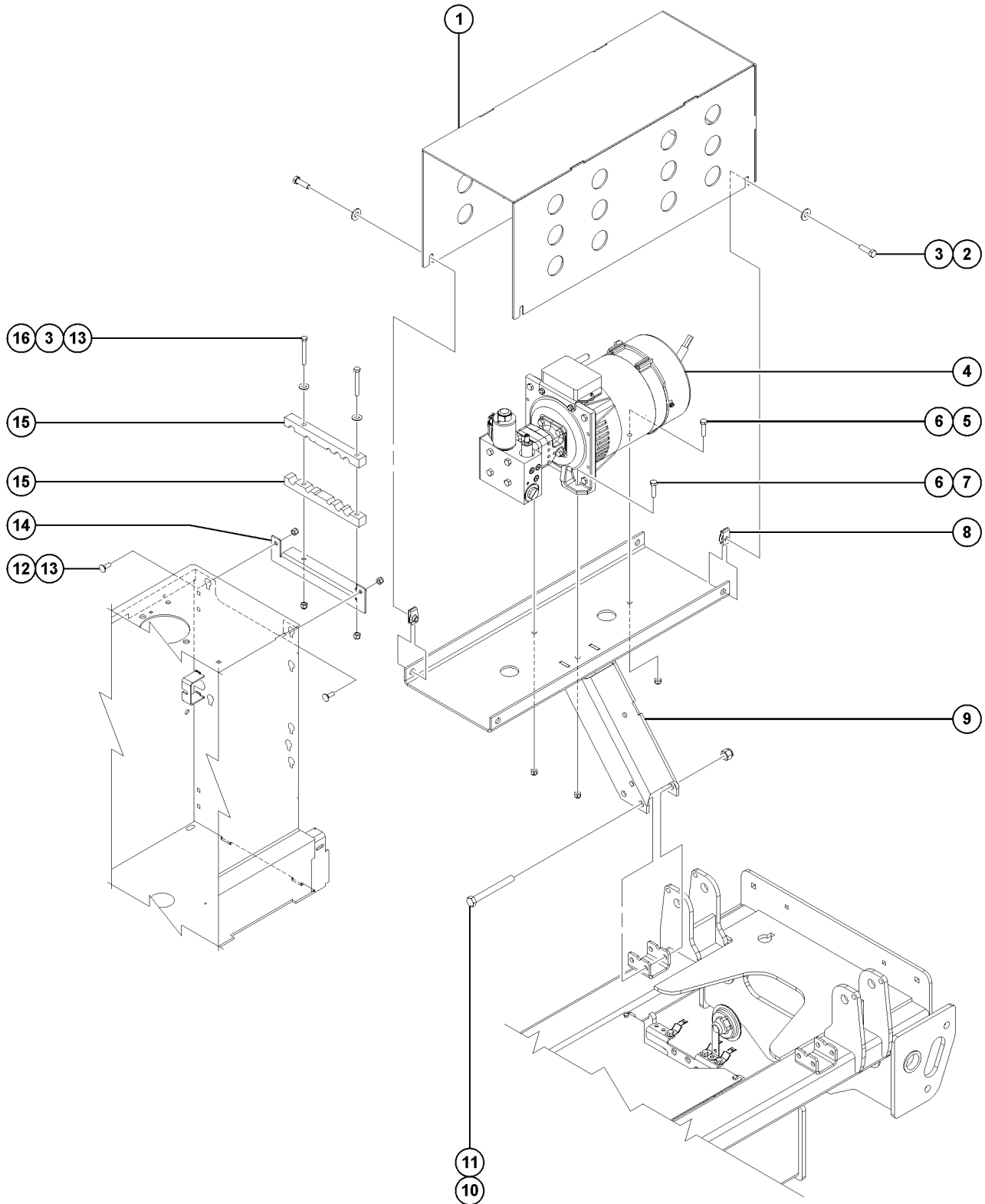
801.2 Flashing Motion Beacon (from SN GS6916F-9068)



## 801.2 Flashing Motion Beacon (from SN GS6916F-9068)

| Item | Part No.  | Description                               | Qty. |
|------|-----------|---|------|
| 1    | 1256463GT | BOLT,CARRIAGE,1/4-20X1.25,5,ZAG.....2     |      |
| 2    | 96699GT   | SLEEVE,TANK SUPPORT.....2                 |      |
| 3    | 824027GT  | NUT,TL FLG,1/4-20,G,ZAG.....2             |      |
| 4    | 1254572GT | LIGHT,TURN SIGNAL,1.25" LED,AMB....1      |      |
| 5    | 1267469GT | PLATE,VISUAL IND LIGHT<br>MOUNT,BLK.....1 |      |

802.1 Generator Installation

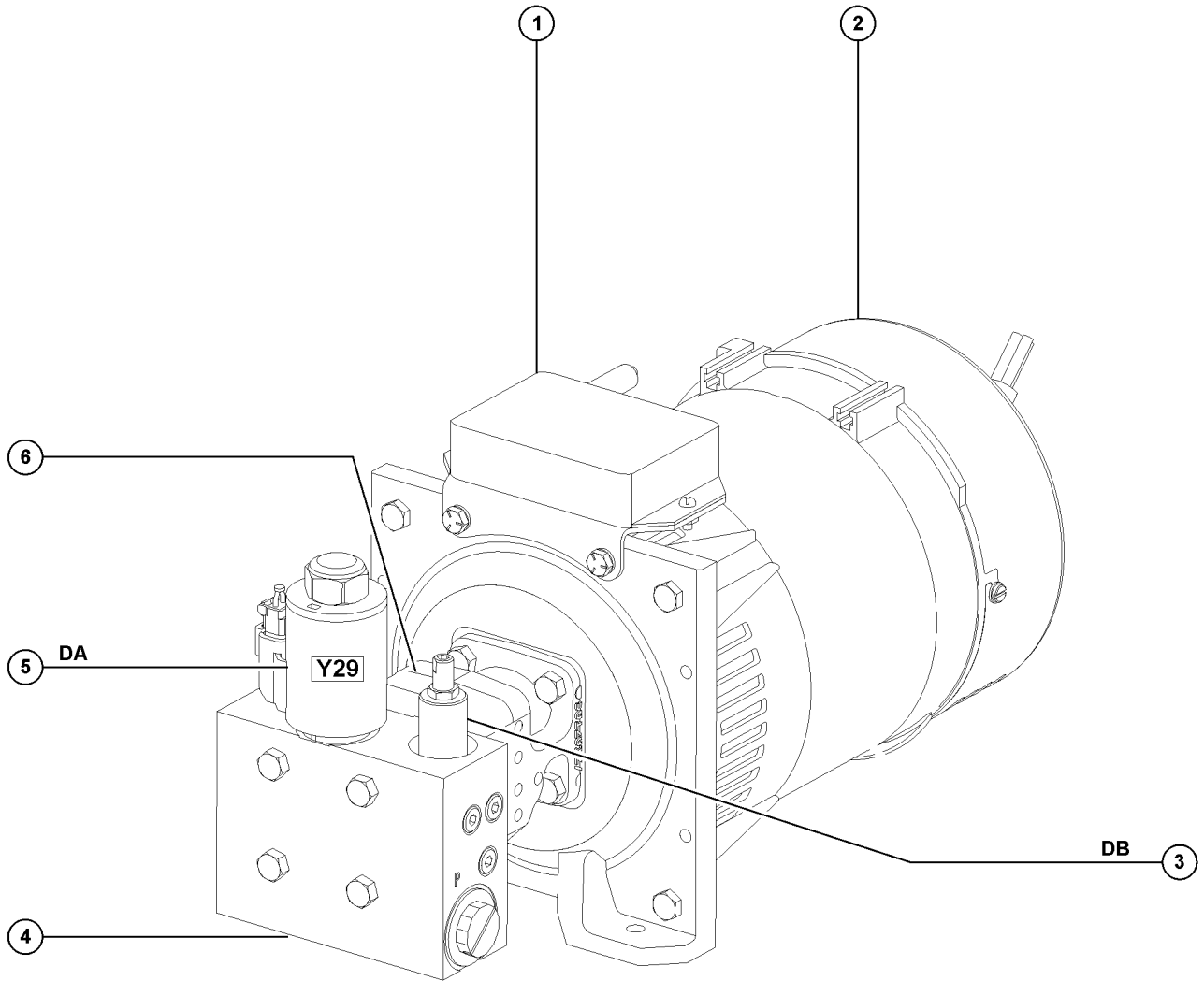




## 802.1 Generator Installation

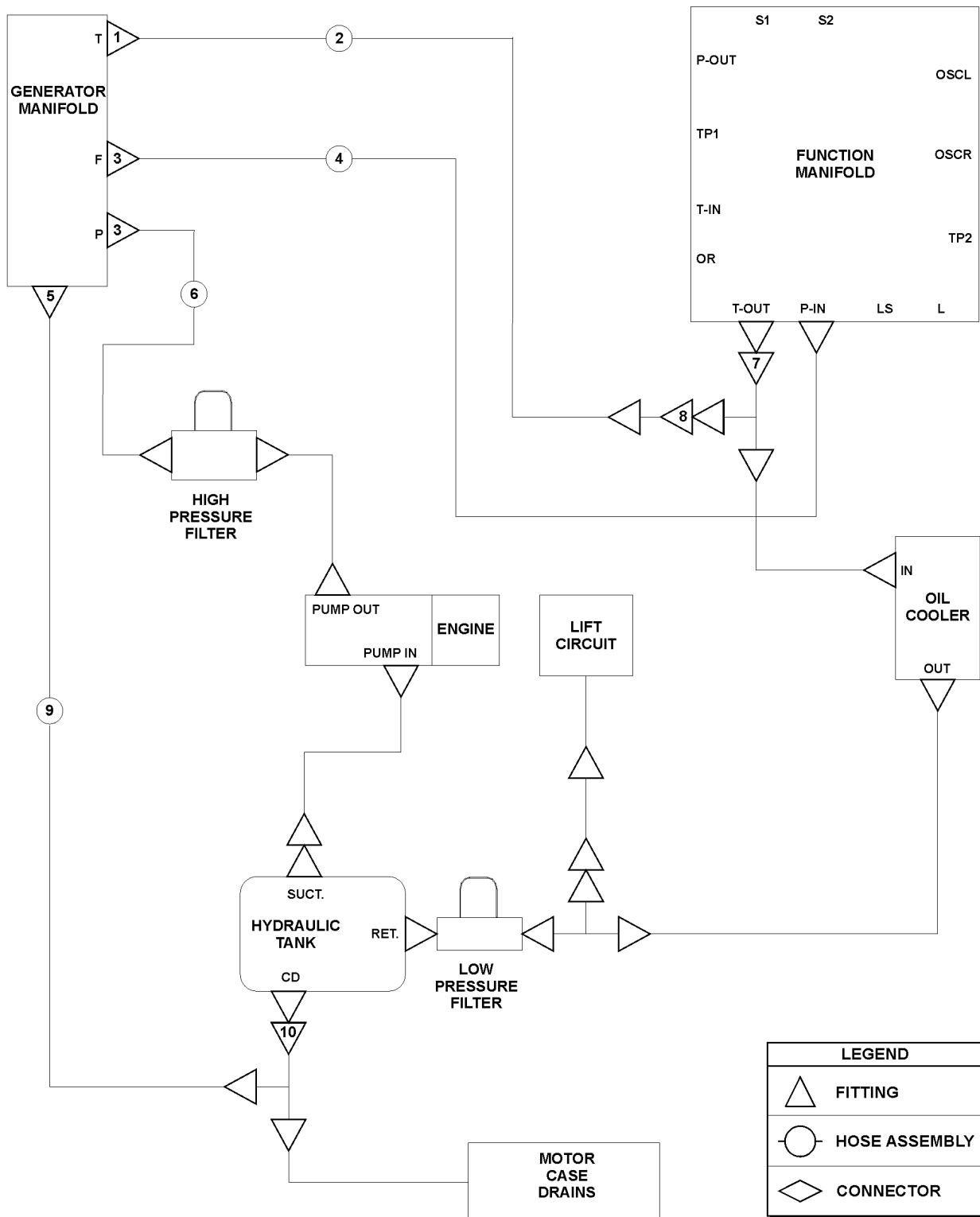
| Item | Part No.  | Description   | Qty. |
|------|-----------|---|------|
| --   |           | WIRE HARNESS<br><i>(refer to 408.1)</i>                                     |      |
| --   | 45470GT   | CLAMP,0.31,#5 X 1/4,RUB CUSH.....1  |      |
| 1A   | 148296GT  | WELDMENT,GEN COVER,GS69.....1<br><i>(to SN 3661) (Genie grey)</i>           |      |
| 1B   | 1254163GT | WELDMENT,GEN COVER,GS69.....1<br><i>(from SN 3662) (Genie blue)</i>         |      |
| 2    | 6019GT    | SCREW,HHC,3/8-16 X 1.25 GRD 5   |      |
| 3    | 6097GT    | WASHER,FLAT,USS,3/8",Y  |      |
| 4    |           | Ref. Generator<br><i>(refer to 803.1)</i>                                   |      |
| 5    | 13002GT   | SCREW,HHC,5/16-18 X 1 GR5   |      |
| 6    | 13000GT   | SCREW,HHC,5/16-18 X 1.25  |      |
| 7    | 6782GT    | NUT,NYLOCK,5/16-18  |      |
| 8    | 29868GT   | SPRING CLIP,3/8-16,.05-.20X.73,ZAG....4                                     |      |
| 9A   | 148304GT  | WELDMENT,GEN MOUNT,GS69.....1<br><i>(to SN 3661) (Genie grey)</i>           |      |
| 9B   | 1254165GT | WELDMENT,GEN MOUNT,GS69.....1<br><i>(from SN 3662) (Genie blue)</i>         |      |
| 10   | 13854GT   | SCREW,HHC,1/2-13 X 4.5,GRD.8.....2  |      |
| 11   | 6198GT    | NUT,NYLOCK,1/2-13   |      |
| 12   | 73466GT   | BOLT,CARRIAGE,3/8-16 X 1.00,G2  |      |
| 13   | 4828GT    | NUT,NYLOCK,3/8-16   |      |
| 14A  | 148302GT  | FORMING,GEN HOSE CLAMP<br>MOUNT.....1<br><i>(to SN 3661) (Genie grey)</i>   |      |
| 14B  | 1254164GT | FORMING,GEN HOSE CLAMP<br>MOUNT.....1<br><i>(from SN 3662) (Genie blue)</i> |      |
| 15   | 215475GT  | CLAMP,GENERATOR HOSE,GS69.....2   |      |
| 16   | 6326GT    | SCREW,HHC,3/8-16 X 3  |      |

803.1 Generator



| Item | Part No.  | Description  | Qty. |
|------|-----------|--|------|
| --   |           | <i>Use the letter callouts to cross-reference with the Service Manual.</i> |      |
| A    | 139954GT  | GENERATOR,3kW,240V/50Hz<br>50 Hz   |      |
| --   | 147258GT  | BREAKER,15 AMP,GEN<br>50 Hz  |      |
| B    | 139953GT  | GENERATOR, 3kW, 120V/60Hz<br>60 Hz   |      |
| --   | 119067GT  | CONN,RECEP 4 WAY ENDCAP DT   |      |
| --   | 147239GT  | BREAKER, 25 AMP, GEN<br>60 Hz  |      |
| --   | 147240GT  | CAPACITOR 16 F, GEN  |      |
| --   | 147242GT  | SCREW, GEN ROTOR   |      |
| 1    | 1269693GT | CONTROL BOX,2KW,120/240V,50HZ.....1  |      |
| --   | 147228GT  | CONTROLLER BOX, 120/240V, 60H  |      |
| 2    | 147262GT  | COVER, END, GENERATOR, 240V.....1<br>50 Hz                                 |      |
| --   | 147241GT  | COVER, END, GEN, 120V<br>60 Hz   |      |
| 3    | 147233GT  | VALVE, RELIEF, GEN, 3.0kW.....1<br>(DB, Generator circuit)                 |      |
| 4    | 147229GT  | MANIFOLD ASSEMBLY, GEN.....1<br>complete (includes items 3 & 5)            |      |
| 5    | 147232GT  | 12VDC PROPORTIONAL VALVE.....1<br>(DA, Generator speed)                    |      |
| 6    | 147230GT  | 207 HYD MOTOR ASSY, GEN.....1  |      |
| --   | 147231GT  | SEAL KIT, HYD MOTOR, GEN   |      |

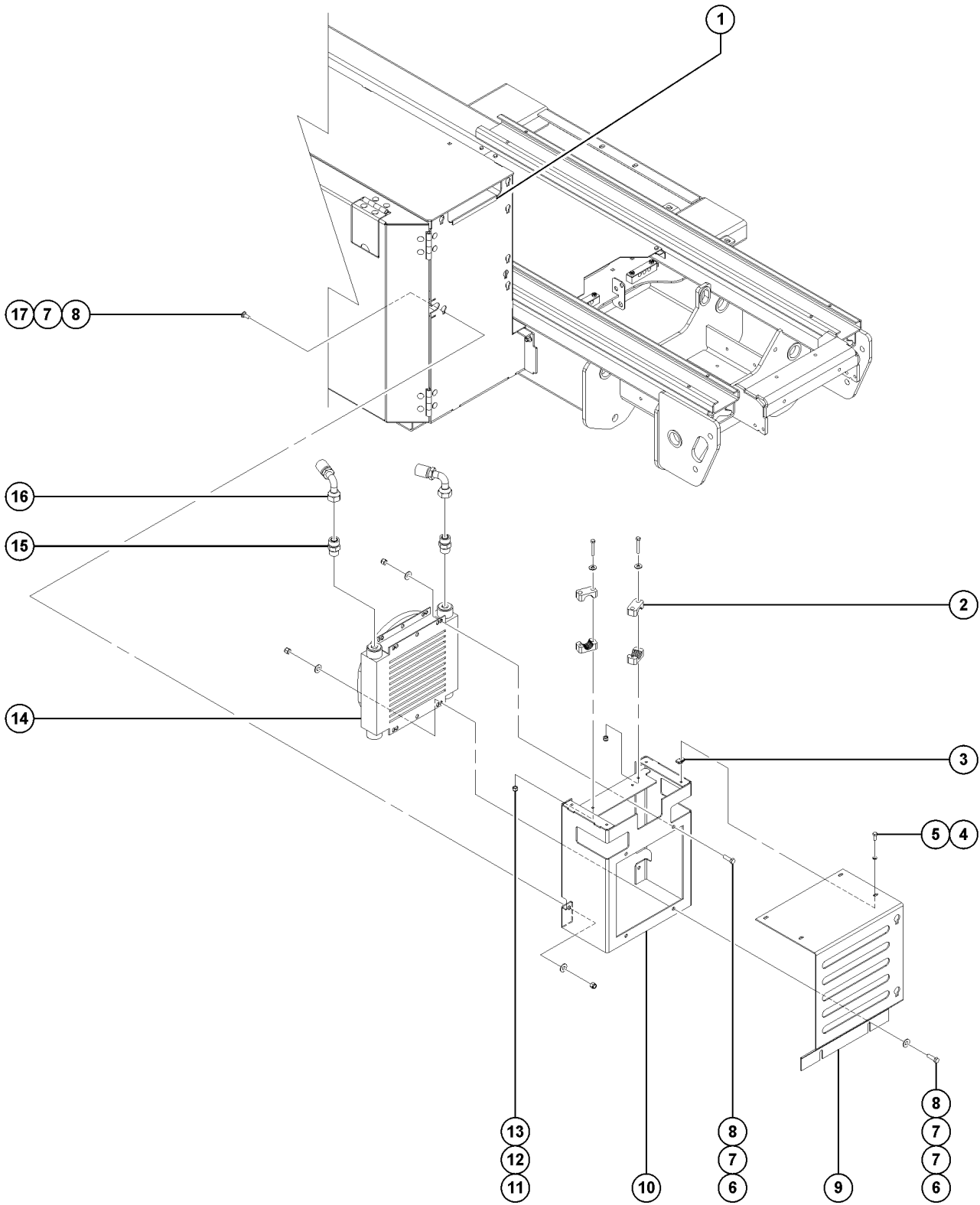
804.1 Hydraulic Hoses and Fittings, Generator



## 804.1 Hydraulic Hoses and Fittings, Generator

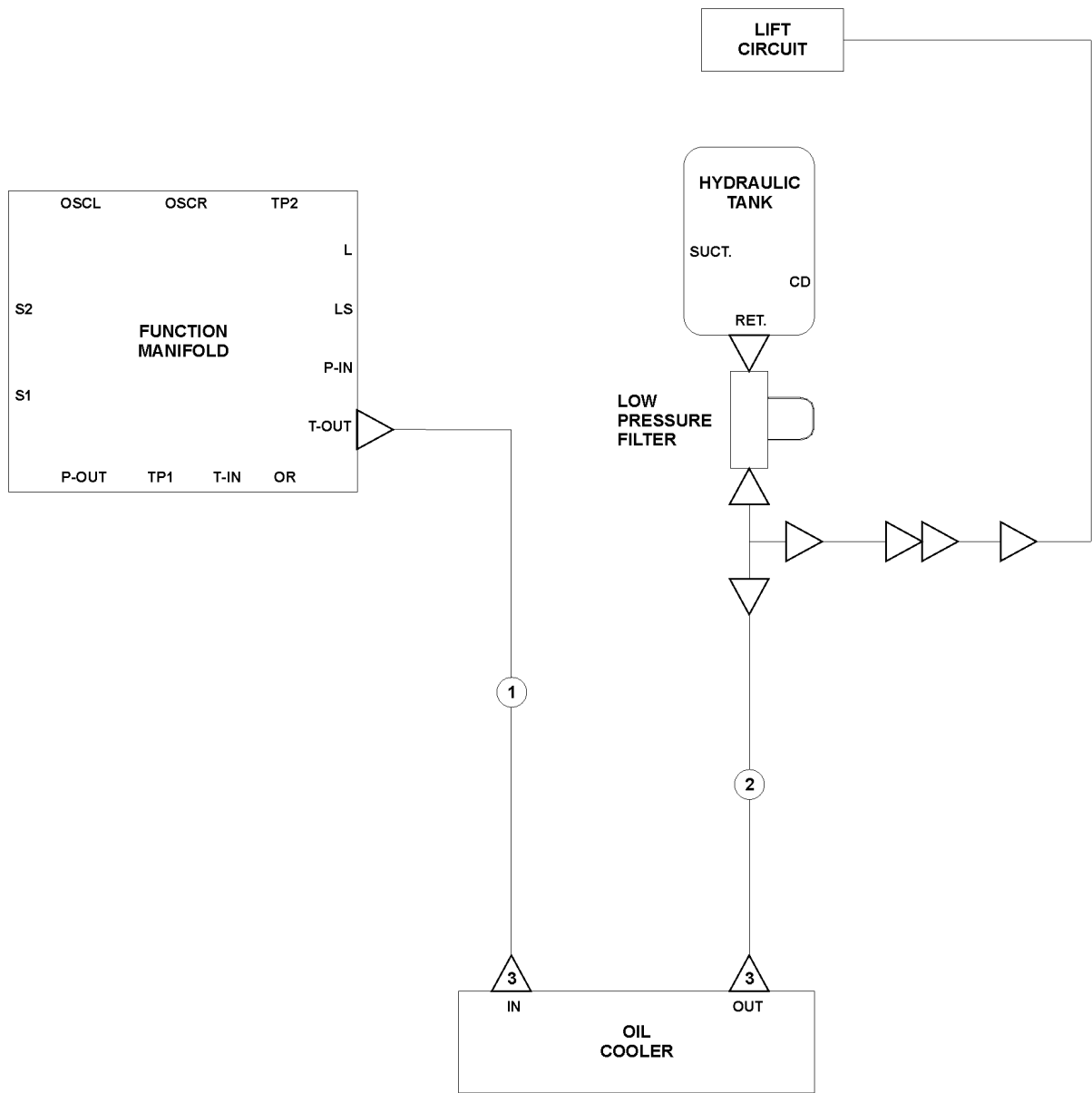
| Item | Part No. | Description  | Qty. |
|------|----------|--|------|
| 1    | 48933GT  | CONN,520120-8***.....1   | 1    |
| 2    | 227484GT | HOSE ASSY,T(GEN)-T.OUT(F.MF).....1<br>(components: 48822, 48825, 48756 @ 78<br>inches) | 1    |
| 3    | 48947GT  | ELBOW,90D,520220-8-12.....2  | 2    |
| 4    | 227483GT | HOSE ASSY,F(GEN)-P.IN(F.MF).....1<br>(components: 48822, 48822, 56777 @ 78<br>inches)  | 1    |
| 5    | 49861GT  | CONN,LONG,520122-4.....1   | 1    |
| 6    | 227482GT | HOSE ASSY,HPFILTER-P(GEN).....1<br>(components: 48822, 48826, 56777 @ 122<br>inches)   | 1    |
| 7    | 227720GT | TEE,RUN,FEMSW,520432-12.....1  | 1    |
| 8    | 51580GT  | FITTING,REDUCER,520123-12-8***.....1   | 1    |
| 9    | 227485GT | HOSE ASSY,CD(GEN)-CD(TANK).....1<br>(components: 48800, 48811, 48751 @ 48<br>inches)   | 1    |
| 10   | 48875GT  | TEE,RUN,SWIVEL,520432-6.....1  | 1    |

805.1 Oil Cooler



| Item | Part No.  | Description   | Qty. |
|------|-----------|---|------|
| A    | 1270096GT | KIT, OIL COOLER, GS69RT<br><i>(from SN GS6911-101 to GS6915-7711)</i>         |      |
| B    | 34053GT   | ASSY,RELAY SOCKET, AUTO   |      |
| C    | 34052GT   | RELAY,SPDT,12V(AUTO) PLUG IN**  |      |
| D    | 79015GT   | FUSE,20 AMP,ATC   |      |
| E    | 67504GT   | FUSE HOLDER,ATC 3-30 AMPS   |      |
| --   |           | Ref. Oil Cooler Wire Harness<br><i>(refer to 408.1)</i>                       |      |
| 1    | 46718GT   | TRIMLOCK,BLACK,3/16.....9.5-inches  |      |
| 2    | 117773GT  | 1-1/8T TUBE CLAMP.....4<br><i>two halves</i>                                  |      |
| 3    | 56912GT   | SPRING<br>CLIP,1/4-20,.025-.15X.54,ZAG.....4                                  |      |
| 4    | 6090GT    | SCREW,HHC,1/4-20 X .75  |      |
| 5    | 6356GT    | WASHER,LOCK,.25   |      |
| 6    | 6019GT    | SCREW,HHC,3/8-16 X 1.25 GRD 5   |      |
| 7    | 6097GT    | WASHER,FLAT,USS,3/8",Y  |      |
| 8    | 4828GT    | NUT,NYLOCK,3/8-16   |      |
| 9A   | 219696GT  | FORMING,OIL COOLER<br>COVER,GS69.....1<br><i>(to SN 3661) (Genie grey)</i>    |      |
| 9B   | 1254167GT | FORMING,OIL COOLER<br>COVER,GS69.....1<br><i>(from SN 3662) (Genie blue)</i>  |      |
| 10A  | 219695GT  | WELDMENT,OIL COOLER<br>MOUNT,GS69.....1<br><i>(to SN 3661) (Genie grey)</i>   |      |
| 10B  | 1254168GT | WELDMENT,OIL COOLER<br>MOUNT,GS69.....1<br><i>(from SN 3662) (Genie blue)</i> |      |
| 11   | 6091GT    | NUT,NYLOCK,1/4-20   |      |
| 12   | 6638GT    | WASHER,FLAT,USS,1/4"Y   |      |
| 13   | 8179GT    | SCREW,HHC,1/4-20 X 2.25   |      |
| 14   | 71259GT   | OIL COOLER W/FAN, 12VDC.....1   |      |
| --   | 75854GT   | FAN - VENTED  |      |
| --   | 75855GT   | THERMOSTAT -OIL COOLER (71259)  |      |
| 15   | 48960GT   | FITTING,CONN,520120-12*** .....2  |      |
| 16   | 48846GT   | HOSE<br>END,FEMSW,90D,ORFS,-12-12.....2                                       |      |
| 17   | 64154GT   | BOLT,CARRIAGE,3/8-16 X1.00,G5   |      |

806.1 Hydraulic Hoses and Fittings, Oil Cooler



| LEGEND |               |
|--------|---------------|
|        | FITTING       |
|        | HOSE ASSEMBLY |
|        | CONNECTOR     |

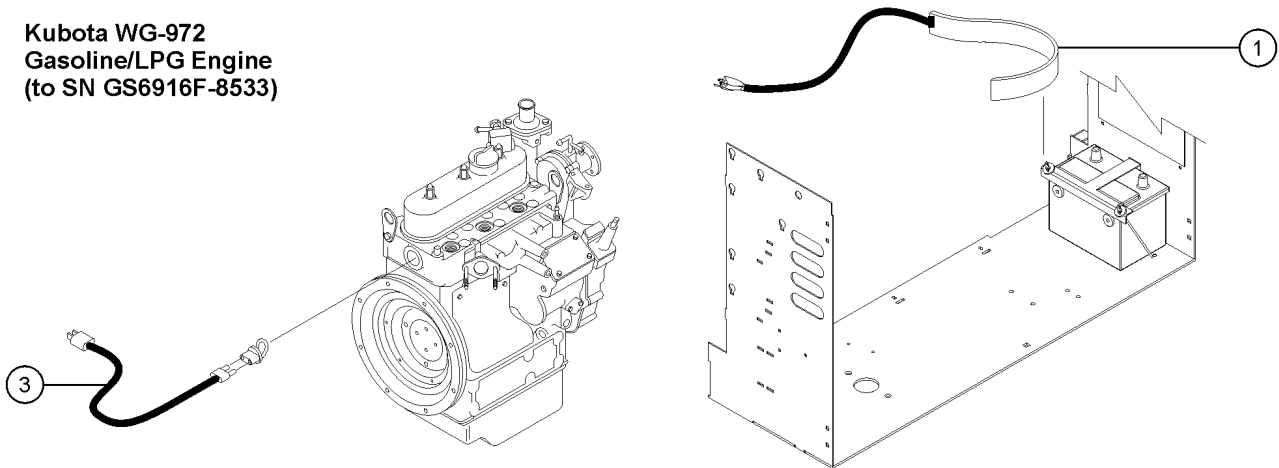


## 806.1 Hydraulic Hoses and Fittings, Oil Cooler

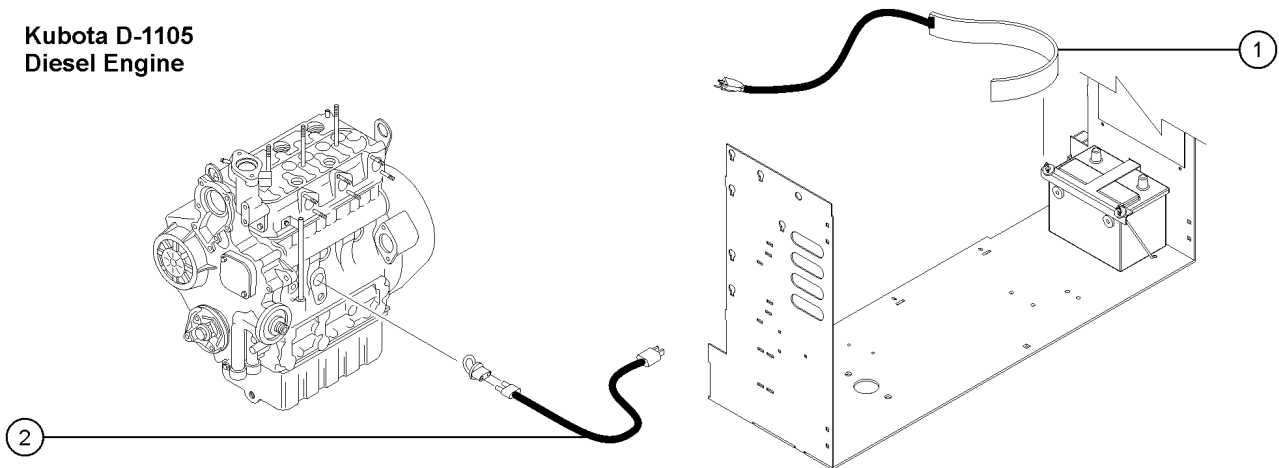
| Item | Part No. | Description  | Qty. |
|------|----------|--|------|
| 1    | 227480GT | HOSE ASSY,T.OUT(F.MF)-IN(OC).....1<br>(components: 48809, 56354, 39889 @ 50<br>inches) |      |
| 2    | 227481GT | HOSE ASSY,OUT(OC)-TANK.....1<br>(components: 48809, 56354, 39889 @ 34<br>inches)       |      |
| 3    | 48960GT  | FITTING,CONN,520120-12***.....2  |      |

807.1 Cold Start Installation

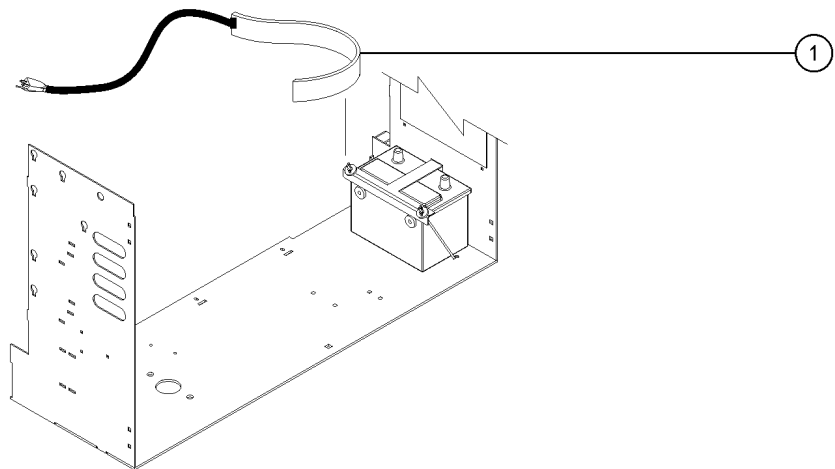
**Kubota WG-972  
Gasoline/LPG Engine  
(to SN GS6916F-8533)**



**Kubota D-1105  
Diesel Engine**



**Perkins 403D-11  
Diesel Engine  
and  
GM .998L  
Gasoline/LPG Engine**

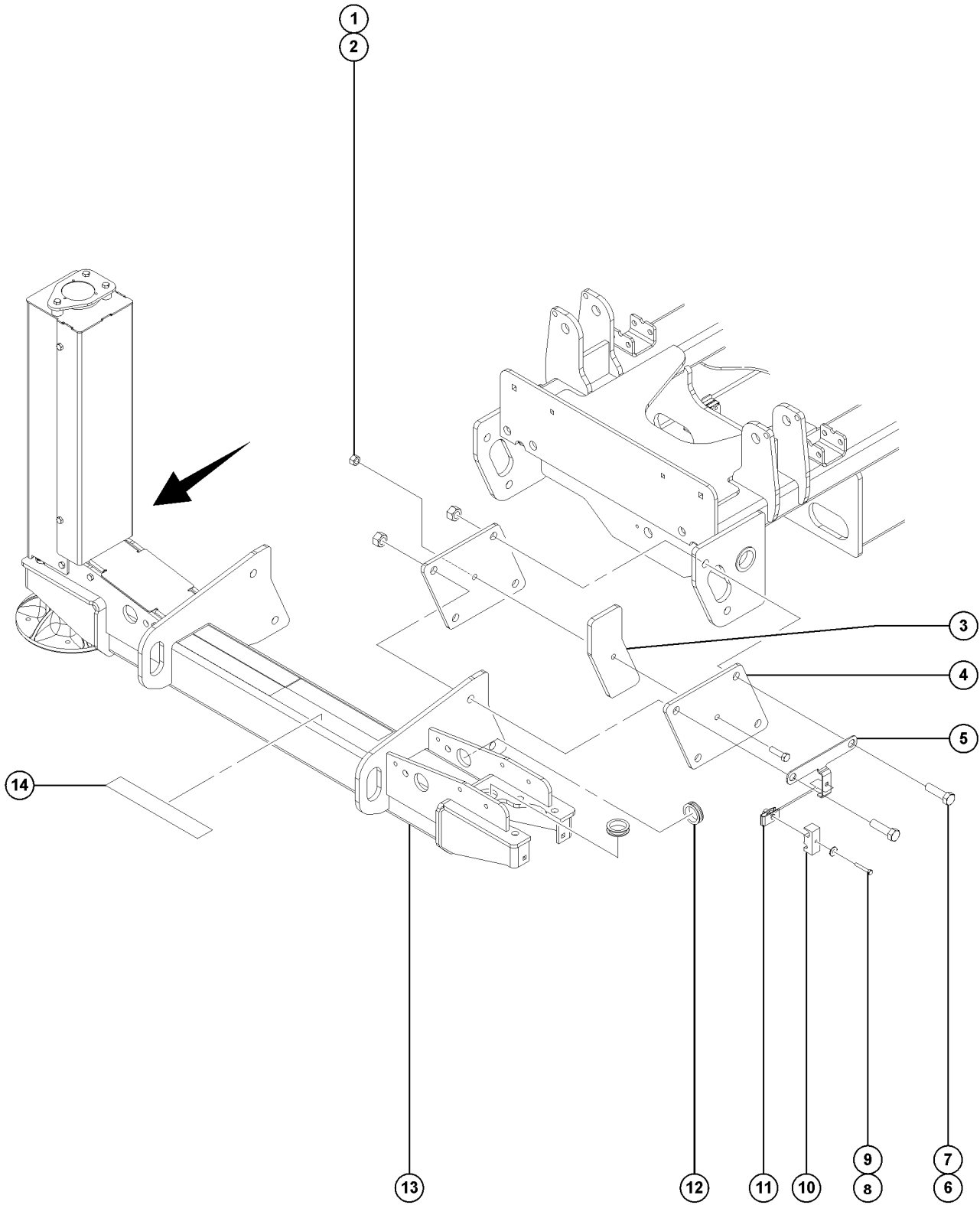


807.1 Cold Start Installation

| Item | Part No. | Description  | Qty. |
|------|----------|--|------|
| 1    | 28853GT  | BLANKET,BATTERY.....   | 1    |
| 2    | 42489GT  | FREEZE PLUG HEATER,Z34IC/BE.....<br><i>Kubota D-1105 Diesel models</i> | 1    |



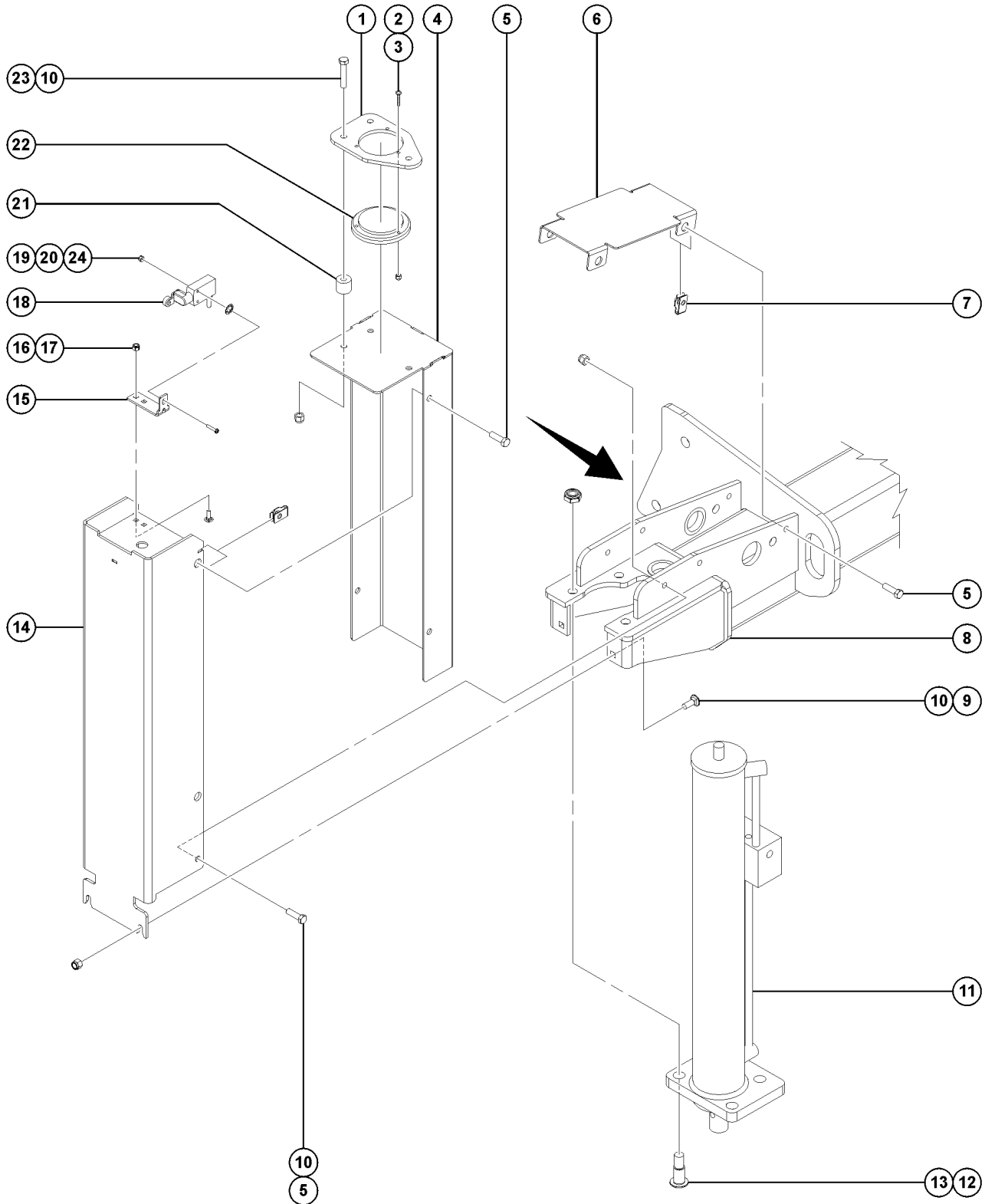
808.1 Outrigger Installation, View 1



## 808.1 Outrigger Installation, View 1

| Item | Part No.  | Description  | Qty. |
|------|-----------|--|------|
| A    | 1256151GT | KIT, HI FLOAT TIRE,O/R SPACER<br><i>for models with hi floatation tires</i>                              |      |
| 1    | 6198GT    | NUT,NYLOCK,1/2-13.....2<br><i>(steer end)(models with high floatation tires)</i>                         | 2    |
| 2    | 6096GT    | SCREW,HHC,1/2-13 X 2 GR5.....2<br><i>(steer end)(models with high floatation tires)</i>                  | 2    |
| 3    | 160740GT  | PLATE,O/R SPACER, HI FLOAT.....2<br><i>(steer end)(models with high floatation tires)</i>                | 2    |
| 4    | 160739GT  | PLATE, O/R MOUNT, HI FLOAT.....4<br><i>(steer end)(models with high floatation tires)</i>                | 4    |
| 5A   | 160744GT  | FORM,O/R FRONT CLAMP,HI FLOAT....2<br><i>(steer end) (models with high floatation tires)</i>             | 2    |
| 5B   | 148409GT  | FORMING,O/R FRONT CLAMP.....2<br><i>(steer end) (models without high floatation tires)</i>               | 2    |
| 6    | 51428GT   | SCREW,HHC,3/4-10 X 2.75.....8  | 8    |
| 7    | 10258GT   | NUT,NYLOCK,3/4-10,GRD.2.....8  | 8    |
| 8    | 6637GT    | SCREW,HHC,1/4-20 X 1.75.....2<br><i>(steer end)</i>  | 2    |
| 9    | 6638GT    | WASHER,FLAT,USS,1/4"Y.....2<br><i>(steer end)</i>  | 2    |
| 10   | 148410GT  | CLAMP,#4 HOSE,CLAMP.....2<br><i>(steer end)</i>  | 2    |
| 11   | 56912GT   | SPRING<br>CLIP,1/4-20,.025-.15X.54,ZAG.....2<br><i>(steer end)</i>                                       | 2    |
| 12   | 47238GT   | GROMMET,RUBBER 1.5 ID.....8  | 8    |
| 13   |           | Ref. WELDMENT,OUTRIGGER YOKE<br><i>(refer to 809.1)</i>  |      |
| 14   | 148329GT  | TAPE,NON-SKID,2"X14".....2   | 2    |
| 15   | 148046GT  | PLATE,OUTRIGGER MOUNT.....4<br><i>(non-steer end and steer end models without high floatation tires)</i> | 4    |

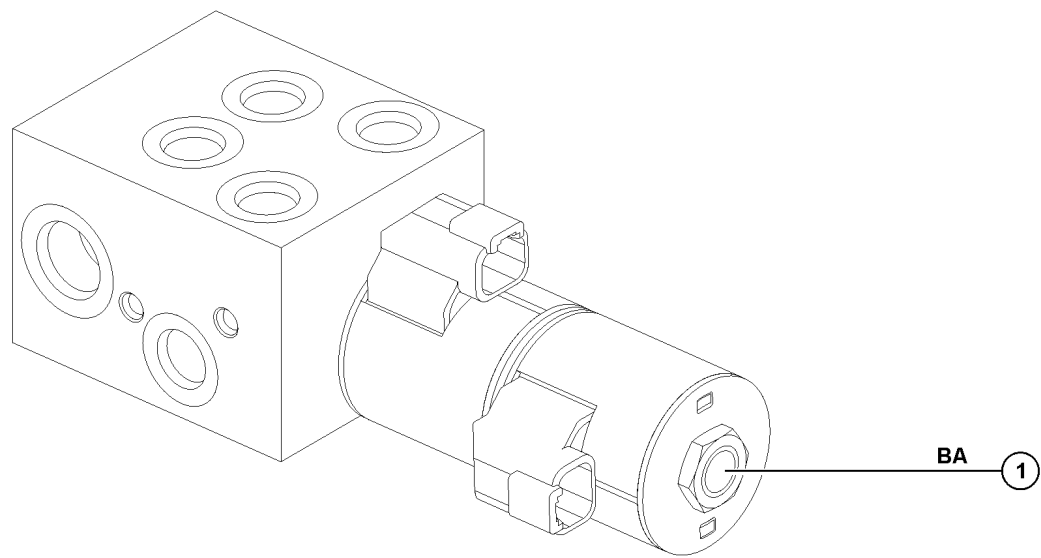
809.1 Outrigger Installation, View 2



## 809.1 Outrigger Installation, View 2

| Item | Part No.  | Description   | Qty. |
|------|-----------|---|------|
| 1    | 87002GT   | PLATE,BUBBLE LEVEL MOUNT.....1  |      |
| 2A   | 49816GT   | SCREW,PHILLIPS,PHM,10-32 X .75.....3<br><i>to SN 5603</i>                                     |      |
| 2B   | 826516GT  | SCREW, PHPM, 10-32 X 1.0, ZAG.....3<br><i>from SN 5604</i>                                    |      |
| 3A   | 6178GT    | NUT,NYLOCK,10-32.....3<br><i>to SN 5603</i>   |      |
| 3B   | 1275810GT | NUT,SERRATED,10-32,SS.....3<br><i>from SN 5604</i>  |      |
| 4    | 148001GT  | WELDMENT,O/R SWITCH COVER.....4   |      |
| 5    | 6019GT    | SCREW,HHC,3/8-16 X 1.25 GRD 5   |      |
| 6    | 131972GT  | FORMING,O/R HOSE COVER.....4  |      |
| 7    | 29868GT   | SPRING CLIP,3/8-16,.05-.20X.73,ZAG  |      |
| 8A   | 148027GT  | WELDMENT,OUTRIGGER YOKE.....1<br><i>steer end</i>   |      |
| 8B   | 148044GT  | WELDMENT,OUTRIGGER YOKE<br><i>non-steer end</i>   |      |
| 9    | 64154GT   | BOLT,CARRIAGE,3/8-16 X1.00,G5   |      |
| 10   | 4828GT    | NUT,NYLOCK,3/8-16   |      |
| 11   |           | Ref. CYLINDER,OUTRIGGER,GS69<br><i>(refer to 811.1)</i>                                       |      |
| 12   | 71912GT   | BOLT,SHOULDER,5/8-11 X 1.19 LT  |      |
| 13   | 38028GT   | NUT,LP NYLOCK,5/8-11  |      |
| 14   | 235089GT  | HOUSING ASSY,OUTRIGGER,WO<br><i>(ANSI, CSA &amp; Australia models with word<br/>decals)</i>   |      |
| --   | 148000GT  | WELDMENT,OUTRIGGER COVER.....4<br><i>(decals not included, refer to section 100)</i>          |      |
| --   | 235091GT  | HOUSING ASSY,OUTRIGGER,SY<br><i>(Asia, S. America &amp; CE models with symbol<br/>decals)</i> |      |
| 15   | 148024GT  | FORMING,O/R LIM SWTCH<br>BRACKET.....1  |      |
| 16   | 6091GT    | NUT,NYLOCK,1/4-20   |      |
| 17   | 6878GT    | BOLT,CARRIAGE,1/4-20 X .75,G2   |      |
| 18   | 105692GT  | SWITCH,LIMIT,W/ROLLER ARM.....1   |      |
| 19   | 18605GT   | NUT,NYLOCK,8-32   |      |
| 20   | T106385GT | SCREW,PHILLIPS,PHM,8-32 X 1.00  |      |
| 21   | 59568GT   | RUBBER, VIBRATION MOUNT.....3   |      |
| 22A  | 77026GT   | LEVEL,BUBBLE,2 DEGREE *.....1<br><i>to SN 1617</i>  |      |
| 22B  | 1259500GT | KIT,BUBBLE LEVEL UPDATE<br><i>from SN 1618 to 5603</i>  |      |
| 22C  | 1275562GT | LEVEL,BUBBLE,3 DEG,BOSS<br><i>from SN 5604</i>  |      |
| 23   | 5224GT    | SCREW,HHC,3/8-16 X 2  |      |
| 24   | 44936GT   | WASHER,STAR,EXTERNAL,#8   |      |

810.1 Outrigger Manifold

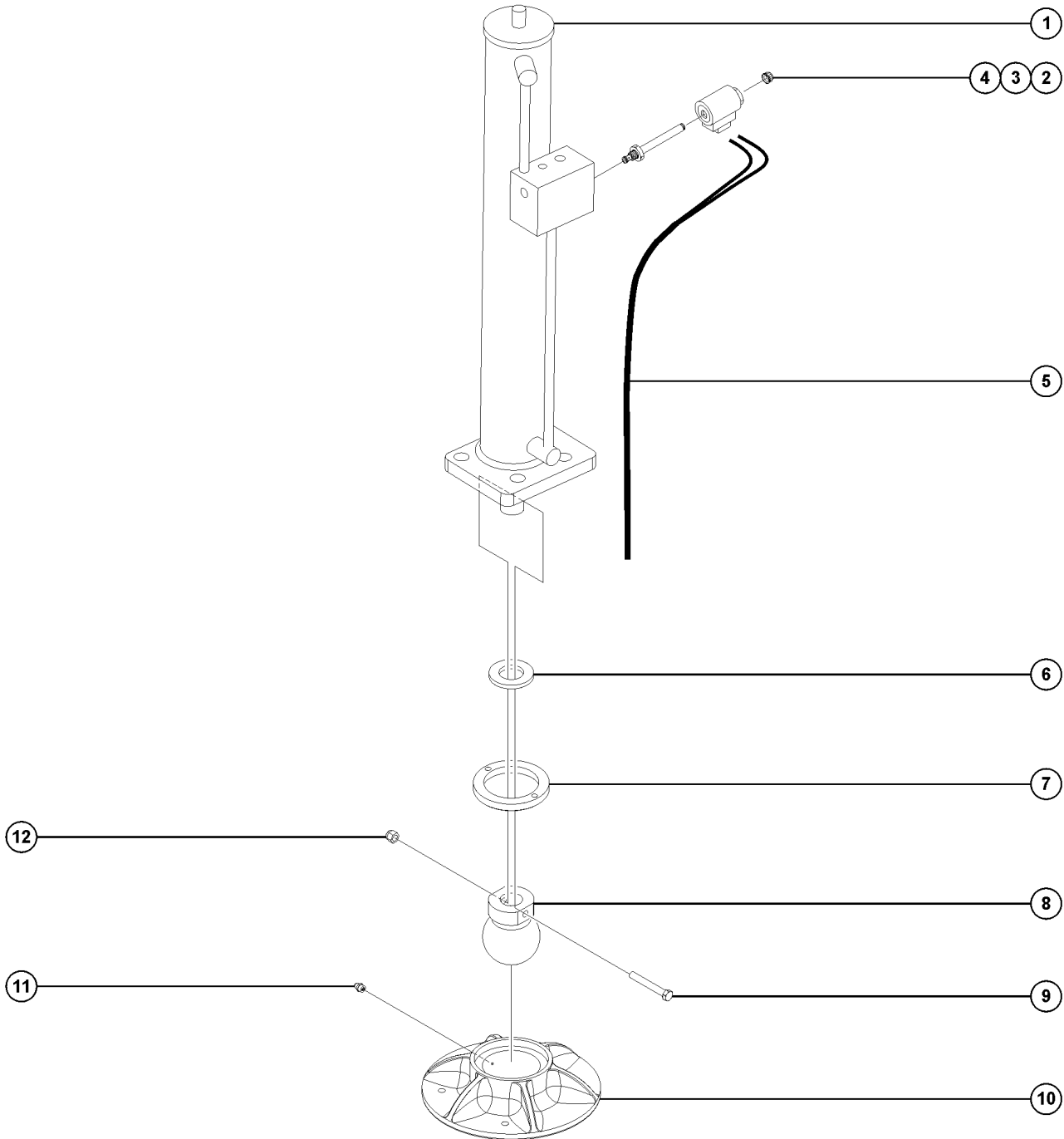




## 810.1 Outrigger Manifold

| Item | Part No.  | Description  | Qty. |
|------|-----------|--|------|
| --   |           | <i>Use the letter callouts to cross-reference with the Service Manual.</i> |      |
| --   | T110624GT | MANIFOLD,OUTRIGGER,GS69<br>(manifold, complete)                            |      |
| 1    | 84109GT   | VALVE,DIR,#10 SAE,3 POS. 4 WAY.....1<br>(BA, Outriggers in / out)          |      |
| --   | 104760GT  | COIL,12VDC #10DTSCH IP69 ECOIL   |      |
| --   | 44174GT   | NUT-COIL SHORT   |      |
| --   | 44175GT   | SPACER-DUAL COIL,#10, SCISSORS   |      |
| --   | 44230GT   | SEAL KIT-P.N.44169,44172,44171   |      |

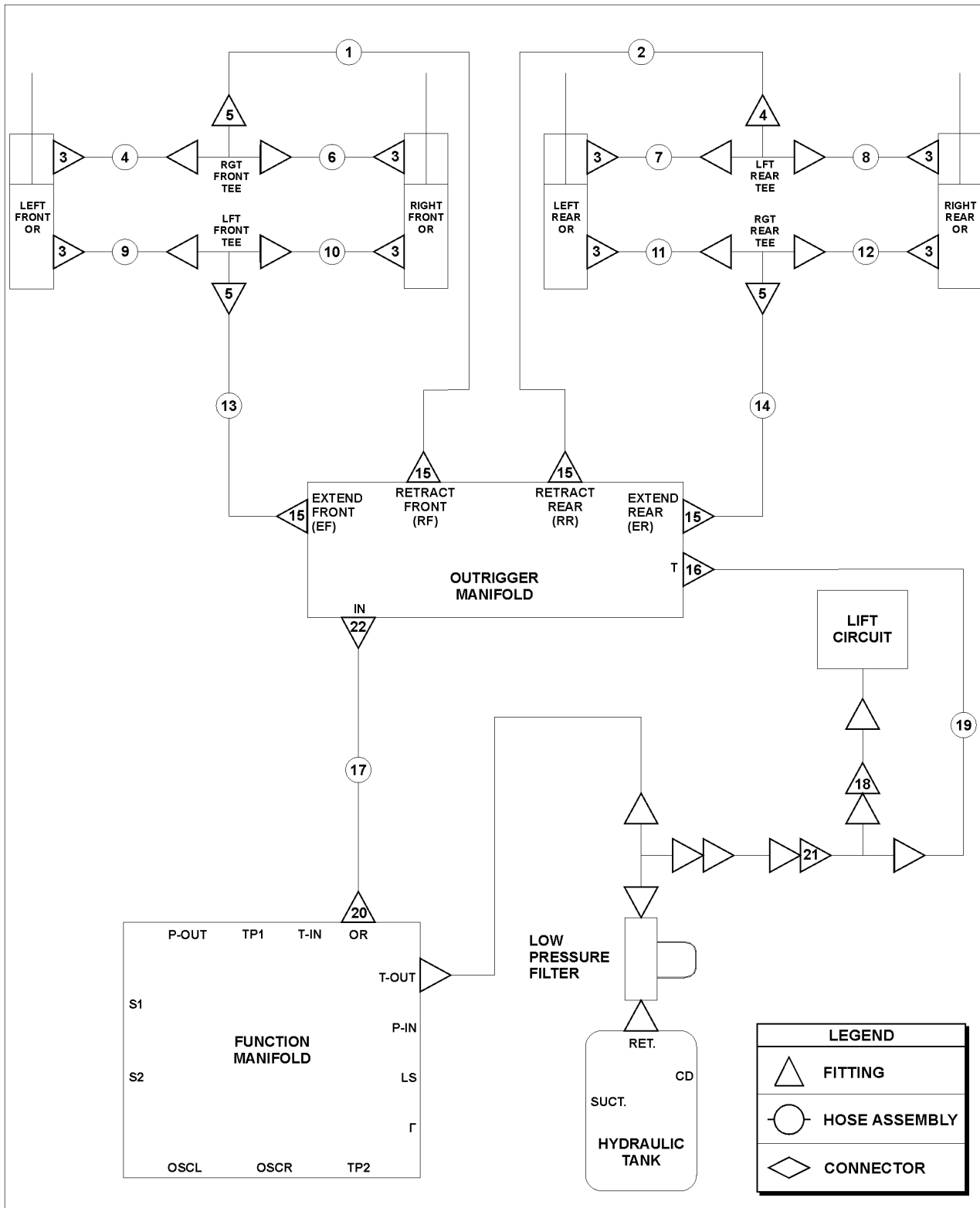
811.1 Outrigger Cylinders, All Models



## 811.1 Outrigger Cylinders, All Models

| Item | Part No.  | Description   | Qty. |
|------|-----------|---|------|
| --   | 112537GT  | FOOTPAD ASSY,RTSC OUTRIGGER<br><i>(includes items 6, 7 &amp; 9)</i> |      |
| 1    | 131428GT  | CYLINDER,OUTRIGGER,GS69.....  | 1    |
| --   | 226381GT  | SEAL KIT,(131428)<br><i>(for 131428)</i>                            |      |
| 2    | 72097GT   | NUT,SOLENOID<br>VALVE,OUTRIGGERS.....                               | 1    |
| 3    | 79831GT   | COIL, 12VDC,DIODE,DEUTSCH.....                                      | 1    |
| 4    | 67933GT   | VALVE,NC,BI-DI,CART***.....   | 1    |
| 4A   | 71925GT   | PILOT CHECK VALVE   |      |
| 5    |           | Ref. Outrigger Wire Harness<br><i>(refer to 408.1)</i>              |      |
| 6    | 55682GT   | PLATE, CYL UP LIMIT.....  | 1    |
| 7    | 55484GT   | RETAINER, GS68 O/R FOOTPAD***.....                                  | 1    |
| 8    | 55485GT   | CASTING, BALL, GS OUTRIGGER.....                                    | 1    |
| 9    | 6326GT    | SCREW,HHC,3/8-16 X 3.....   | 1    |
| 10   | 51814GT   | CASTING,OUTRIGGER FOOTPAD ***...<br><i>order 1280156 separately</i> | 1    |
| 10B  | 1280156GT | KIT,OUTRIGGER PAD LOCTITE,RT<br><i>order footpad separately</i>     |      |
| 11   | 28646GT   | ZERK,GREASE,1/8 NPT.....  | 1    |
| 12   | 4828GT    | NUT,NYLOCK,3/8-16.....  | 1    |

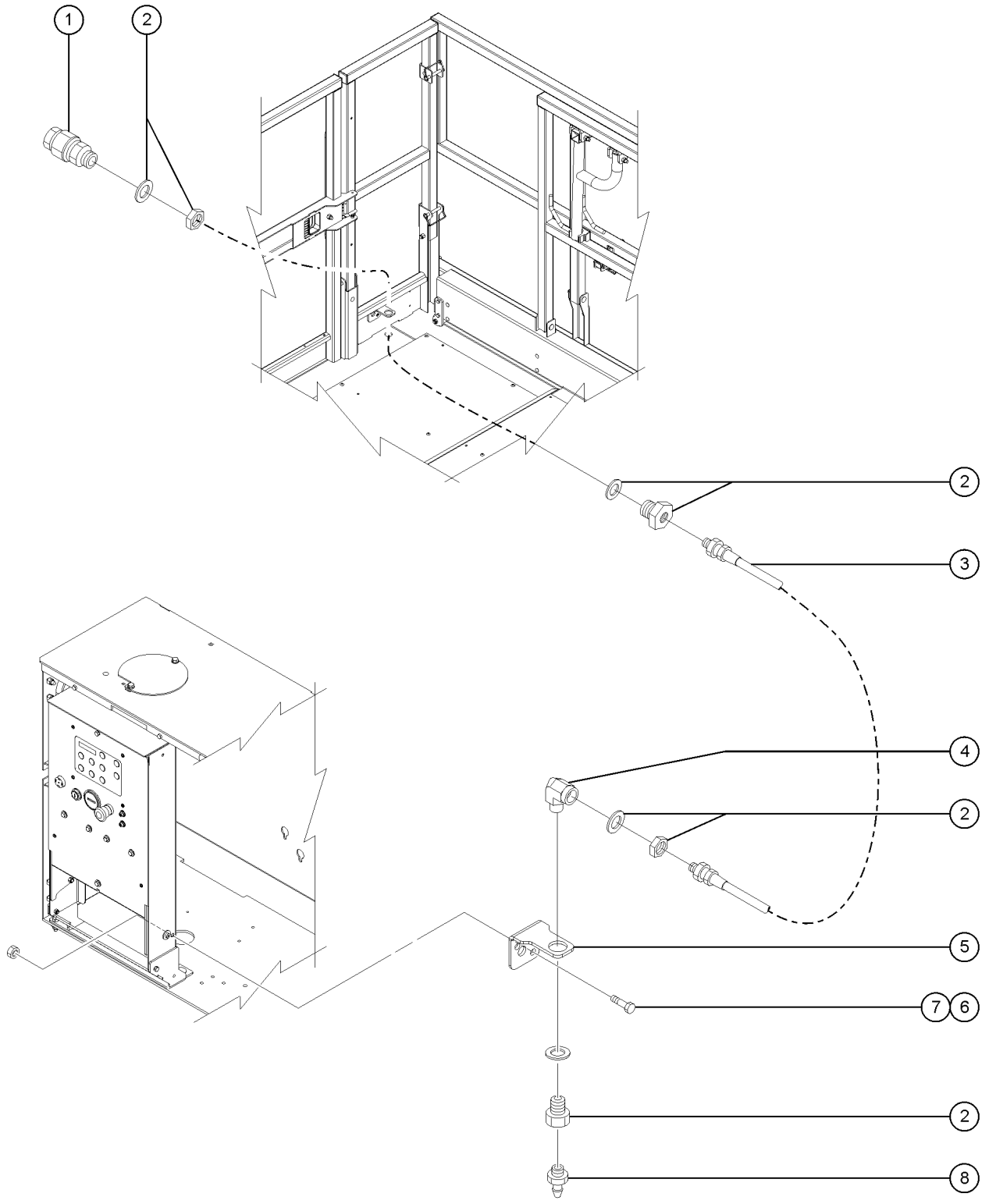
812.1 Hydraulic Hoses and Fittings, Outrigger



## 812.1 Hydraulic Hoses and Fittings, Outrigger

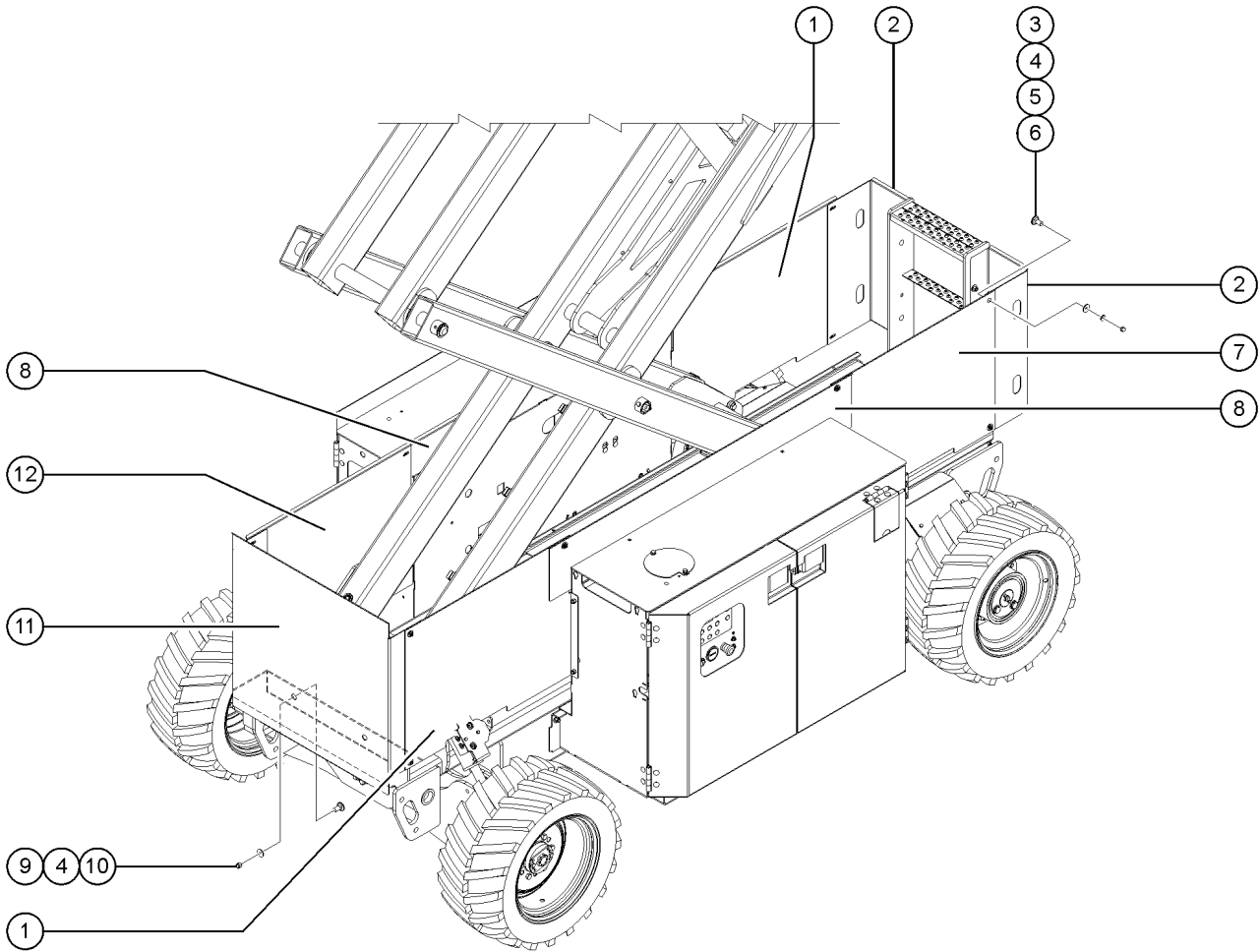
| Item | Part No.  | Description  | Qty. | Item | Part No. | Description  | Qty. |
|------|-----------|--|------|------|----------|--|------|
| 1    | 227726GT  | HOSE ASSY,FR(OR.MF)-RF.OR.TEE.....1<br>(components: 48812, 48815, 56776 @ 98 inches)     | 1    | 20   | 48930GT  | CONN,520120-6-8.....1                                    | 1    |
| 2    | 227735GT  | HOSE ASSY,RR(OR.MF)-RR.OR.TEE.....1<br>(components: 48812, 48815, 56776 @ 98 inches)     | 1    | 21   | 48875GT  | TEE,RUN,SWIVEL,520432-6.....1                            | 1    |
| 3    | 48905GT   | CONN,520120-4***.....8   | 8    | 22A  | 48916GT  | CONN, 520120-6.....1<br>(from serial number 101 to 3514) | 1    |
| 4    | 227730GT  | HOSE ASSY,RF.OR.TEE-R(LF.OR.CY....1<br>(components: 48800, 48800, 48751 @ 75 inches)     | 1    | 22B  | 48915GT  | ELBOW,90D,520220-6<br>(from serial number 3515)          | 1    |
| 5    | 48909GT   | TEE,BULKHEAD,RUN,520958-4.....4  | 4    |      |          |  |      |
| 6    | 227740GT  | HOSE<br>ASSY,RF.OR.TEE-R(RF.OR.CY.....1<br>(components: 48800, 48802, 48751 @ 20 inches) | 1    |      |          |  |      |
| 7    | 227732GT  | HOSE<br>ASSY,RR.OR.TEE-R(LR.OR.CY.....1<br>(components: 48800, 48800, 48751 @ 20 inches) | 1    |      |          |  |      |
| 8    | 227742GT  | HOSE<br>ASSY,RR.OR.TEE-R(RR.OR.CY.....1<br>(components: 48800, 48802, 48751 @ 75 inches) | 1    |      |          |  |      |
| 9    | 227489GT  | HOSE ASSY,LF.OR.TEE-E(LF.OR.CY.....1<br>(components: 48800, 48802, 48751 @ 20 inches)    | 1    |      |          |  |      |
| 10   | 227490GT  | HOSE ASSY,LF.OR.TEE-E(RF.OR.CY....1<br>(components: 48800, 48800, 48751 @ 75 inches)     | 1    |      |          |  |      |
| 11   | 227738GT  | HOSE ASSY,LR.OR.TEE-E(LR.OR.CY...1<br>(components: 48800, 48802, 48751 @ 75 inches)      | 1    |      |          |  |      |
| 12   | 227728GT  | HOSE<br>ASSY,LR.OR.TEE-E(RR.OR.CY.....1<br>(components: 48800, 48800, 48751 @ 20 inches) | 1    |      |          |  |      |
| 13   | 227487GT  | HOSE ASSY,EF(OR.MF)-LF.OR.TEE.....1<br>(components: 48812, 227488, 56776 @ 98 inches)    | 1    |      |          |  |      |
| 14   | 227724GT  | HOSE ASSY,ER(OR.MF)-LR.OR.TEE.....1<br>(components: 48812, 48815, 56776 @ 98 inches)     | 1    |      |          |  |      |
| 15   | 48916GT   | CONN, 520120-6.....4   | 4    |      |          |  |      |
| 16   | 48933GT   | CONN,520120-8***.....1   | 1    |      |          |  |      |
| 17A  | 227486GT  | HOSE ASSY,OR(F,MF)-IN(OR,MF).....1<br>(components: 48812, 48815, 56776 @ 19 inches)      | 1    |      |          |  |      |
| 17B  | 1254068GT | HOSE ASSY,OR(F,MF)-IN(OR,MF).....1<br>(components: 2x 48812, 48756 @ 17.5 in)            | 1    |      |          |  |      |
| 18   | 48892GT   | ELBOW,SWIVEL 90D, 520221-6.....1   | 1    |      |          |  |      |
| 19   | 227491GT  | HOSE ASSY,T(OR.MF)-TANK.....1<br>(components: 48817, 48828, 48756 @ 8 inches)            | 1    |      |          |  |      |

813.1 Air to Platform



| Item | Part No.  | Description   | Qty. |
|------|-----------|---|------|
| 1    | 27895GT   | COUPLER,1/4"SERIES 3/8 MPT.....1                              |      |
| 2    | 27900GT   | BULKHEAD,FEMALE X 6 X 6.....2                                 |      |
| 3A   | 27903GT   | HOSE,LOW PRESSURE,.375<br>ID,BLK.....900-inches<br>GS-4069 RT |      |
| --   | 27901GT   | HOSE END,BARBED,RIGID,-6-6.....2                              |      |
| 3B   | 27903GT   | HOSE,LOW PRESSURE,.375<br>ID,BLK.....790-inches<br>GS-3369 RT |      |
| --   | 27901GT   | HOSE END,BARBED,RIGID,-6-6.....2                              |      |
| 3C   | 27903GT   | HOSE,LOW PRESSURE,.375<br>ID,BLK.....676-inches<br>GS-2669 RT |      |
| --   | 27901GT   | HOSE END,BARBED,RIGID,-6-6.....2                              |      |
| 4    | 79383GT   | BRASS STREET ELBOW.....1                                      |      |
| 5    | 47077GT   | BRACKET,AIRLINE MOUNTING.....2                                |      |
| 5A   | 47077GT   | BRACKET,AIRLINE MOUNTING.....2<br>(to SN 3661) (Genie grey)   |      |
| 5B   | 1254162GT | BRACKET,AIRLINE MOUNTING.....2<br>(from SN 3662) (Genie blue) |      |
| 6    | 8255GT    | SCREW,HHC,3/8-16 X .75  |      |
| 7    | 4828GT    | NUT,NYLOCK,3/8-16   |      |
| 8    | 27894GT   | PLUG,1/4"SERIES,3/8 MPT.....1                                 |      |

814.1 Link Guard, CE and Australia

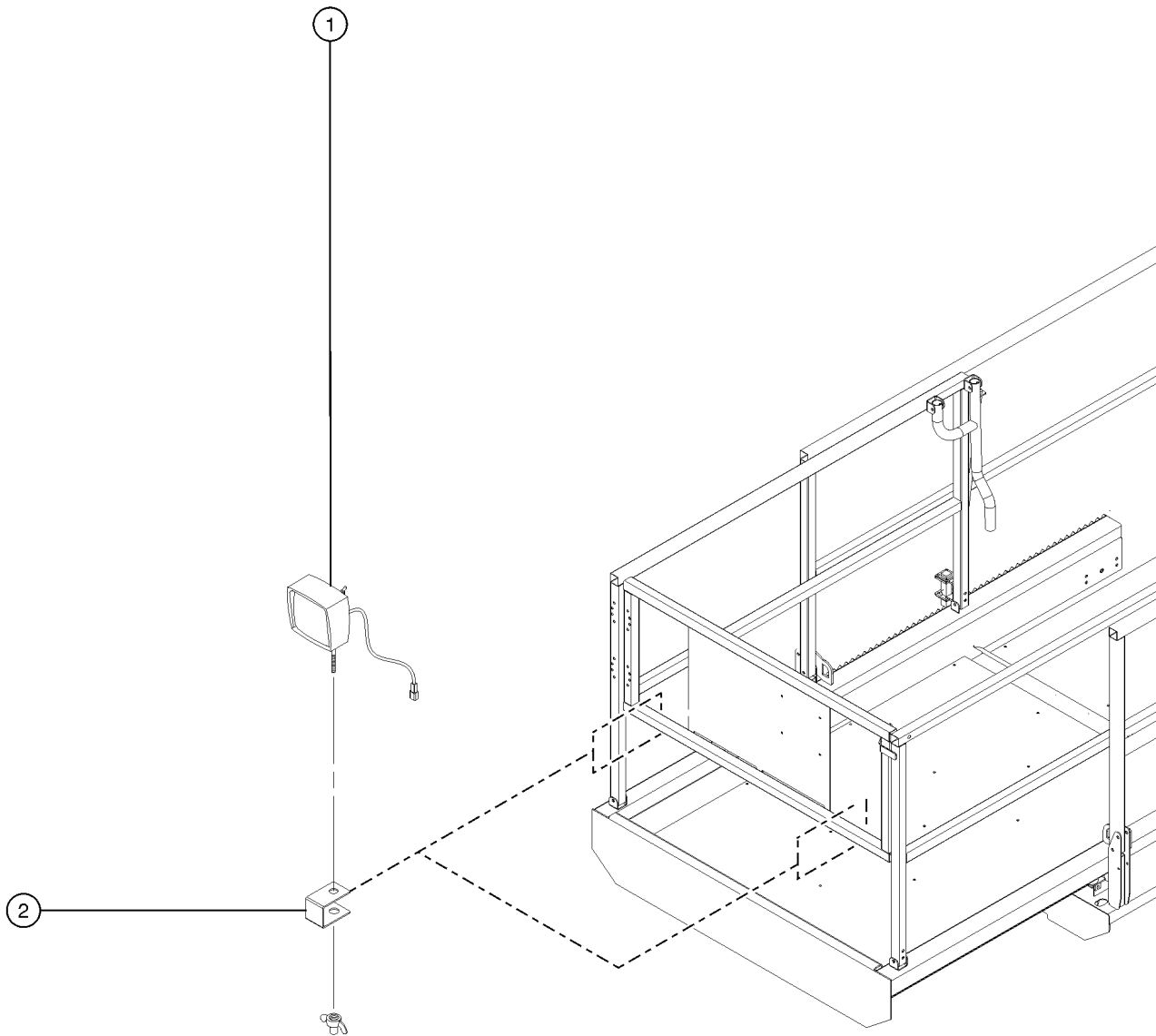




## 814.1 Link Guard, CE and Australia

| Item | Part No.  | Description   | Qty. |
|------|-----------|---|------|
| 1A   | 227768GT  | FORMING, LINK GUARD, SIDE, 26/33...2<br><i>for GS-2669 RT &amp; GS-3369 RT (ground controls side, front &amp; engine side, rear)</i>  |      |
| 1B   | T114354GT | FORMING, LINKGUARD, SIDE, 40.....2<br><i>for GS-4069 RT (ground controls side, front &amp; engine side, rear)</i>                     |      |
| 2A   | 227713GT  | FORMING, LINK GUARD, BACK,<br>26/33.....2<br><i>for GS-2669 RT &amp; GS-3369 RT</i>   |      |
| 2B   | T114357GT | FORMING, LINKGUARD, END, 40.....2<br><i>for GS-4069 RT</i>  |      |
| 3    | 101718GT  | BOLT, CARRIAGE, 3/8-16 X .75, G2  |      |
| 4    | 6097GT    | WASHER, FLAT, USS, 3/8", Y  |      |
| 5    | 6021GT    | WASHER, LOCK, .375  |      |
| 6    | 45444GT   | NUT, ACORN 3/8-16 PLATED  |      |
| 7A   | 227716GT  | FORMING, LINK GUARD, SIDE, 26/33...1<br><i>for GS-2669 RT &amp; GS-3369 RT without oil cooler option (ground controls side, rear)</i> |      |
| 7B   | 227714GT  | FORMING, LNK GRD, SIDE, OPT, 26/33...1<br><i>for GS-2669 RT &amp; GS-3369 RT with oil cooler option (ground controls side, rear)</i>  |      |
| 7C   | T114353GT | FORMING, LINKGUARD, SIDE, 40.....1<br><i>for GS-4069 RT without oil cooler option (engine side, rear)</i>                             |      |
| 7D   | 227717GT  | FORMING, LINK GUARD, SIDE, OPT, 40...1<br><i>for GS-4069 RT with oil cooler option (engine side, rear)</i>                            |      |
| 8    | T114358GT | FORMING, LINKGUARD, BOXTOP.....2<br><i>for GS-4069 RT</i>   |      |
| 9    | 4828GT    | NUT, NYLOCK, 3/8-16   |      |
| 10   | 73466GT   | BOLT, CARRIAGE, 3/8-16 X 1.00, G2   |      |
| 11A  | 227715GT  | FORMING, LINK GUARD, FRONT,<br>26/33.....1<br><i>for GS-2669 RT &amp; GS-3369 RT</i>  |      |
| 11B  | T114356GT | FORMING, LINKGUARD, SIDE, 40.....1<br><i>for GS-4069 RT</i>   |      |
| 12A  | 227716GT  | FORMING, LINK GUARD, SIDE, 26/33...1<br><i>for GS-2669 RT &amp; GS-3369 RT without oil cooler option (engine side, front)</i>         |      |
| 12B  | 227716GT  | FORMING, LINK GUARD, SIDE, 26/33...1<br><i>for GS-2669 RT &amp; GS-3369 RT with oil cooler option (engine side, front)</i>            |      |
| 12C  | T114353GT | FORMING, LINKGUARD, SIDE, 40.....1<br><i>for GS-4069 RT without oil cooler option (ground controls side, front)</i>                   |      |
| 12D  | T114353GT | FORMING, LINKGUARD, SIDE, 40.....1<br><i>for GS-4069 RT with oil cooler option (ground controls side, front)</i>                      |      |

815.1 Platform Work Light



## 815.1 Platform Work Light

| Item | Part No. | Description                               | Qty. |
|------|----------|---|------|
| A    | 823041GT | WORKLIGHTS,FIELD KIT,GS-2669.....1        |      |
| --   | 823044GT | HARNESS,GS2669 WORKLIGHTS.....1           |      |
| B    | 823042GT | WORKLIGHTS,FIELD KIT,GS-3369.....1        |      |
| --   | 823045GT | HARNESS,GS3369 WORKLIGHTS.....1           |      |
| C    | 823043GT | WORKLIGHTS,FIELD KIT,GS-4069.....1        |      |
| --   | 823046GT | HARNESS,GS4069 WORKLIGHTS.....1           |      |
| 1    | 71498GT  | WORKLIGHT, 12V, DEUTSCH<br>RECEPT.....2   |      |
| 2    | 71382GT  | BRACKET, WORK LIGHTS, OPTION.....2        |      |
| 3    | 28443GT  | CABLE TIE,11.5" BLACK<br><i>not shown</i> |      |

## Part Number Index

The Part Number Index is a numeric index of all part numbers included in this manual. The index shows what page(s) the part is used on.

| Part Number | Page          | Part Number   | Page               | Part Number | Page          | Part Number | Page            |
|-------------|---------------|---------------|--------------------|-------------|---------------|-------------|-----------------|
| 101067GT    | 161           | 112350GT      | 127-128, 131,      | 1254126GT   | 117           | 1254823GT   | 95              |
| 10107GT     | 97            |               | 133, 135, 137      | 1254127GT   | 79            | 1255452GT   | 61, 63, 66, 105 |
| 101200GT    | 83            | 112375GT      | 127-128, 133,      | 1254128GT   | 81            | 1255881GT   | 115             |
| 101201GT    | 83            |               | 137                | 1254129GT   | 91-92         | 1256129GT   | 124             |
| 101202GT    | 87            | 112476GT      | 65-66, 143, 145,   | 1254130GT   | 95            | 1256130GT   | 124             |
| 101203GT    | 83            |               | 147                | 1254131GT   | 91-92         | 1256151GT   | 189             |
| 101204GT    | 87            | 112512GT      | 66                 | 1254132GT   | 91-92         | 1256267GT   | 127-128, 133,   |
| 101208GT    | 83            | 112531GT      | 89                 | 1254133GT   | 91-92         |             | 137             |
| 101209GT    | 83            | 112537GT      | 195                | 1254134GT   | 103           | 1256463GT   | 175             |
| 101318GT    | 95            | 112543GT      | 145                | 1254135GT   | 91-92         | 1256582GT   | 108             |
| 101319GT    | 95            | 112572GT      | 66                 | 1254136GT   | 105           | 1256586GT   | 127-128, 131,   |
| 101320GT    | 91-92         | 112639GT      | 91-92              | 1254138GT   | 117           |             | 135             |
| 101322GT    | 95            | 112640GT      | 91-92              | 1254139GT   | 81            | 1256587GT   | 127-128, 131,   |
| 101324GT    | 95            | 112703GT      | 139, 141           | 1254140GT   | 117           |             | 135             |
| 101341GT    | 95            | 112708GT      | 127-128, 131,      | 1254141GT   | 103           | 1256588GT   | 127-128         |
| 101586GT    | 65-66         |               | 135, 139, 141      | 1254142GT   | 75-76         | 1256593GT   | 131, 135        |
| 101718GT    | 201           | 112772GT      | 151                | 1254143GT   | 81            | 1256594GT   | 131             |
| 102395GT    | 159           | 112871GT      | 81                 | 1254144GT   | 79            | 1256597GT   | 135             |
| 102396GT    | 159           | 112929GT      | 79, 95, 99         | 1254145GT   | 75-76         | 1256598GT   | 135             |
| 10258GT     | 189           | 112946GT      | 79, 95, 99         | 1254162GT   | 199           | 1257733GT   | 11              |
| 102685GT    | 161           | 11335GT       | 113                | 1254163GT   | 177           | 1258567GT   | 11              |
| 104235GT    | 79, 95, 99    | 114202GT      | 13, 15, 21, 23,    | 1254164GT   | 177           | 1258624GT   | 65-66           |
| 104367GT    | 87            |               | 29, 31, 37, 39,    | 1254165GT   | 177           | 1258625GT   | 65-66           |
| 104571GT    | 123-124       |               | 45, 47, 53, 55     | 1254166GT   | 108           | 1258626GT   | 61              |
| 104759GT    | 157, 159, 165 | 114251GT      | 23, 39, 55         | 1254167GT   | 183           | 1258627GT   | 61              |
| 104760GT    | 159, 193      | 114258GT      | 15, 31, 47         | 1254168GT   | 183           | 1258628GT   | 65-66           |
| 104764GT    | 159           | 114337GT      | 21, 37, 53         | 1254170GT   | 71            | 1258629GT   | 65-66           |
| 104804GT    | 145           | 114338GT      | 25, 27, 41, 43,    | 1254174GT   | 69            | 1258630GT   | 61              |
| 104935GT    | 165           |               | 57, 59             | 1254175GT   | 65-66         | 1258631GT   | 61              |
| 105108GT    | 155           | 114371GT      | 25, 27, 41, 43,    | 1254176GT   | 65-66         | 1258749GT   | 65-66           |
| 105109GT    | 155           |               | 57, 59             | 1254177GT   | 66            | 1258750GT   | 65-66           |
| 105171GT    | 155           | 114385GT      | 13, 15, 29, 31,    | 1254178GT   | 65-66         | 1258751GT   | 61              |
| 105172GT    | 155           |               | 45, 47             | 1254180GT   | 61            | 1258752GT   | 61              |
| 105319GT    | 119           | 114386GT      | 15, 17, 19, 31,    | 1254181GT   | 61            | 1258753GT   | 65-66           |
| 105556GT    | 173           |               | 33, 35, 47, 49, 51 | 1254182GT   | 61            | 1258754GT   | 65-66           |
| 105557GT    | 173           | 115206GT      | 157                | 1254184GT   | 63            | 1258755GT   | 61              |
| 105662GT    | 153           | 115402GT      | 163                | 1254187GT   | 69            | 1258756GT   | 61              |
| 105692GT    | 71, 191       | 115431GT      | 79, 81, 89, 91-92  | 1254188GT   | 69            | 1259055GT   | 107-108         |
| 105695GT    | 161           | 116503GT      | 83                 | 1254189GT   | 69            | 1259447GT   | 123-124         |
| 106098GT    | 65-66         | 116523GT      | 83                 | 1254190GT   | 127-128, 131, | 1259448GT   | 123-124         |
| 106117GT    | 65-66         | 117773GT      | 183                |             | 135           | 1259499GT   | 123-124         |
| 106118GT    | 65-66         | 119067GT      | 179                | 1254191GT   | 133, 137      | 1259500GT   | 191             |
| 106134GT    | 65-66         | 119218-1000GT | 99                 | 1254192GT   | 127-128, 131, | 1260192GT   | 124             |
| 10744GT     | 119           | 119218-1050GT | 99                 |             | 135           | 1261085GT   | 165             |
| 10775GT     | 108, 151      | 119218-1200GT | 99                 | 1254196GT   | 141           | 1261278GT   | 75-76, 107-108  |
| 10777GT     | 151           | 119218-1400GT | 99                 | 1254198GT   | 131, 135      | 1262944GT   | 107-108         |
| 111819GT    | 111           | 119684        | 11                 | 1254199GT   | 127-128, 131  | 1262945GT   | 107-108, 111    |
| 112070GT    | 127-128, 131, | 119684GT      | 92, 97             | 1254201GT   | 137           | 1263198GT   | 107-108, 111    |
|             | 135           | 119685GT      | 92, 97             | 1254202GT   | 127-128, 133, | 1263199GT   | 107-108, 111    |
| 112072GT    | 131, 135      | 119809GT      | 91-92              |             | 137           | 1263240GT   | 111             |
| 112076GT    | 127-128, 131, | 119918GT      | 107-108            | 1254203GT   | 133, 137      | 1263241GT   | 111             |
|             | 135, 139, 141 | 121067GT      | 75-76              | 1254204GT   | 127-128, 131, | 1264810GT   | 105             |
| 112099GT    | 127-128, 133, | 121422GT      | 105                |             | 135           | 1264822GT   | 123-124         |
|             | 137           | 122994GT      | 115                | 1254206GT   | 139           | 1264834GT   | 123-124         |
| 112100GT    | 127-128, 133, | 1251757GT     | 107-108, 111       | 1254207GT   | 127-128       | 1265332GT   | 165             |
|             | 137           | 1253349GT     | 121                | 1254208GT   | 127-128       | 1265367GT   | 165             |
| 112106GT    | 137           | 1253422GT     | 121                | 1254246GT   | 105           | 1265863GT   | 99              |
| 112115GT    | 127-128, 133, | 1253423GT     | 121                | 1254419GT   | 105           | 1266127GT   | 99, 103         |
|             | 137           | 1253424GT     | 121                | 1254420GT   | 105           | 1266174GT   | 123-124         |
| 112116GT    | 127-128, 133, | 1253425GT     | 121                | 1254421GT   | 103           | 1266263GT   | 97, 103         |
|             | 137           | 1253426GT     | 113                | 1254422GT   | 81            | 1266292GT   | 97              |
| 112121GT    | 127-128, 133, | 1253427GT     | 103                | 1254424GT   | 89            | 1266527GT   | 107-108         |
|             | 137           | 1253479GT     | 121                | 1254425GT   | 87            | 1266602GT   | 107-108         |
| 112123GT    | 127-128, 131, | 1254068GT     | 197                | 1254427GT   | 121           | 1266868GT   | 75-76           |
|             | 135           | 1254107GT     | 76, 87             | 1254428GT   | 121           | 1267113GT   | 123-124         |
| 112124GT    | 127-128, 131, | 1254108GT     | 89                 | 1254436GT   | 69            | 1267270GT   | 123-124         |
|             | 135           | 1254109GT     | 89                 | 1254437GT   | 65-66         | 1267290GT   | 65-66           |
| 112125GT    | 135           | 1254110GT     | 89                 | 1254440GT   | 108           | 1267469GT   | 175             |
| 112126GT    | 135           | 1254111GT     | 89                 | 1254441GT   | 115           | 1267806GT   | 123-124         |
| 112127GT    | 127-128, 139  | 1254112GT     | 103                | 1254443GT   | 113           | 1268767GT   | 99              |
| 112134GT    | 131, 135, 141 | 1254113GT     | 85                 | 1254444GT   | 113           | 1268768GT   | 99              |
| 112136GT    | 141           | 1254114GT     | 89                 | 1254445GT   | 113           | 1268809GT   | 75-76, 87       |
| 112177GT    | 133, 137      | 1254115GT     | 89                 | 1254446GT   | 113           | 1268GT      | 11              |
| 112210GT    | 133, 137      | 1254116GT     | 89                 | 1254462GT   | 69            | 1269612GT   | 103             |
| 112229GT    | 139           | 1254117GT     | 91-92              | 1254572GT   | 175           | 1269676GT   | 123-124         |

## Part Number Index (continued)

| Part Number | Page                   | Part Number | Page                   | Part Number | Page              | Part Number   | Page                  |
|-------------|------------------------|-------------|------------------------|-------------|-------------------|---------------|-----------------------|
| 1269693GT   | 179                    | 131416GT    | 143                    | 139213GT    | 81                | 148077GT      | 123-124               |
| 1270096GT   | 183                    | 131427GT    | 89                     | 139215GT    | 81                | 148078GT      | 123-124               |
| 1270142GT   | 89                     | 131428GT    | 195                    | 139230GT    | 89                | 148079GT      | 123-124               |
| 1270697GT   | 76, 87, 95, 101        | 131484GT    | 87                     | 139249GT    | 13, 29, 45        | 148080GT      | 123-124               |
| 1270952GT   | 101                    | 131581GT    | 79, 81, 89, 91-92      | 139251GT    | 91-92             | 148081GT      | 123-124               |
| 1270954GT   | 97                     | 131587GT    | 13, 29, 45             | 139267GT    | 91-92             | 148082GT      | 123-124               |
| 1270955GT   | 101                    | 131602GT    | 61                     | 139270GT    | 91-92             | 148083GT      | 123-124               |
| 1270996GT   | 111                    | 131610GT    | 61                     | 139272GT    | 91-92             | 148084GT      | 123-124               |
| 1271076GT   | 115                    | 131615GT    | 61                     | 139273GT    | 83, 87            | 148086GT      | 123-124               |
| 1271715GT   | 101                    | 131616GT    | 61                     | 139274GT    | 87                | 148087GT      | 123-124               |
| 1271717GT   | 101                    | 131621GT    | 163                    | 139277GT    | 89                | 148088GT      | 123-124               |
| 1271729GT   | 99                     | 131639GT    | 66                     | 139278GT    | 73, 83            | 148089GT      | 123-124               |
| 1271754GT   | 11                     | 131640GT    | 66                     | 139279GT    | 83                | 148090GT      | 123-124               |
| 1271772GT   | 107-108, 111           | 131643GT    | 65-66                  | 139280GT    | 83                | 148091GT      | 123-124               |
| 1271773GT   | 107-108, 111           | 131656GT    | 91-92                  | 139282GT    | 83                | 148092GT      | 123-124               |
| 1271797GT   | 11                     | 131658GT    | 11, 107-108            | 139483GT    | 75-76             | 148093GT      | 123-124               |
| 1271823GT   | 11                     | 131661GT    | 11                     | 139877GT    | 169               | 148094GT      | 123-124               |
| 1271825GT   | 97                     | 131662GT    | 11                     | 139953GT    | 179               | 148099GT      | 83                    |
| 1271832GT   | 123-124                | 131664GT    | 95                     | 139954GT    | 179               | 148101GT      | 103                   |
| 1271848GT   | 11                     | 131665GT    | 95                     | 139966GT    | 65-66             | 148105GT      | 117                   |
| 1271876GT   | 11                     | 131687GT    | 131                    | 139967GT    | 65-66             | 148109GT      | 92                    |
| 1272018GT   | 11, 107-108, 111       | 131695GT    | 65-66                  | 139968GT    | 65-66             | 148115GT      | 81                    |
| 1272019GT   | 11, 107-108, 111       | 131735GT    | 147                    | 139969GT    | 65-66             | 148206GT      | 123-124               |
| 1272020GT   | 107-108, 111           | 131741GT    | 147                    | 139970GT    | 65-66             | 148210GT      | 123-124               |
| 1272022GT   | 107-108, 111           | 131742GT    | 147                    | 139971GT    | 65-66             | 148226GT      | 119                   |
| 1272023GT   | 107-108, 111           | 131743GT    | 147                    | 140333GT    | 127-128, 131, 135 | 148236GT      | 66, 127-128, 133, 137 |
| 1272242GT   | 15, 23, 31, 39, 47, 55 | 131744GT    | 143                    | 14392GT     | 79, 121           | 148243GT      | 108                   |
| 1272457GT   | 101                    | 131745GT    | 143                    | 144065GT    | 153               | 148271GT      | 69                    |
| 1272458GT   | 101                    | 131746GT    | 145                    | 144161GT    | 151               | 148277GT      | 69                    |
| 1272505GT   | 97                     | 131747GT    | 145                    | 146550GT    | 107-108           | 148291GT      | 119                   |
| 1272569GT   | 115                    | 131749GT    | 143, 147               | 147033GT    | 65-66             | 148292GT      | 69                    |
| 1272587GT   | 111                    | 131751GT    | 147                    | 147034GT    | 65-66             | 148296GT      | 177                   |
| 1272828GT   | 99                     | 131755GT    | 65-66                  | 147090GT    | 115               | 148302GT      | 177                   |
| 1272843GT   | 13, 29, 45             | 131765GT    | 105                    | 147091GT    | 115               | 148304GT      | 177                   |
| 1272952GT   | 101                    | 131769GT    | 105                    | 147228GT    | 179               | 148307GT      | 69                    |
| 1272953GT   | 101                    | 131778GT    | 107-108                | 147229GT    | 179               | 148317GT      | 127-128, 133, 137     |
| 1272994GT   | 107-108, 111           | 131780GT    | 119                    | 147230GT    | 179               | 148329GT      | 189                   |
| 1272995GT   | 107-108, 111           | 131790GT    | 119                    | 147231GT    | 179               | 148353GT      | 61                    |
| 1272996GT   | 107-108                | 131800GT    | 113                    | 147232GT    | 179               | 148389GT      | 107-108               |
| 1272997GT   | 107-108, 111           | 131801GT    | 103                    | 147233GT    | 179               | 148390GT      | 91-92                 |
| 1273249GT   | 117                    | 131813GT    | 79, 89, 91-92, 99, 105 | 147239GT    | 179               | 148394-2100GT | 99, 103               |
| 1273254GT   | 123-124                | 131814GT    | 105                    | 147240GT    | 179               | 148394-400GT  | 99, 103               |
| 1273258GT   | 76, 87, 95, 101        | 131873GT    | 119                    | 147241GT    | 179               | 148394-550GT  | 99, 103               |
| 1273617GT   | 169                    | 131874GT    | 139                    | 147242GT    | 179               | 148396GT      | 61                    |
| 1273618GT   | 169                    | 131897GT    | 79                     | 147258GT    | 179               | 148399GT      | 91-92                 |
| 1274301GT   | 91-92                  | 131899GT    | 127-128                | 147262GT    | 179               | 148400GT      | 63                    |
| 1275562GT   | 191                    | 131903GT    | 127-128                | 147419GT    | 169               | 148403GT      | 69                    |
| 1275810GT   | 191                    | 131920GT    | 165                    | 148000GT    | 191               | 148409GT      | 189                   |
| 1278977GT   | 113                    | 131921GT    | 165                    | 148001GT    | 191               | 148410GT      | 189                   |
| 1279465GT   | 105                    | 131926GT    | 119                    | 148005GT    | 115               | 148413GT      | 71                    |
| 1279466GT   | 105                    | 131928GT    | 119                    | 148008GT    | 105               | 148414GT      | 123-124               |
| 1280156GT   | 195                    | 131929GT    | 119                    | 148018GT    | 108               | 148416GT      | 73, 83, 91-92         |
| 1280296GT   | 97                     | 131945GT    | 83                     | 148023GT    | 75-76             | 148422GT      | 149                   |
| 1280297GT   | 97                     | 131954GT    | 81                     | 148024GT    | 191               | 148426GT      | 61                    |
| 1280298GT   | 97                     | 131972GT    | 191                    | 148027GT    | 191               | 148433GT      | 127-128, 131, 135     |
| 1280391GT   | 97                     | 133278GT    | 15, 31, 47             | 148029GT    | 103               | 148434GT      | 127-128, 131, 135     |
| 1280665GT   | 151                    | 133537GT    | 25, 27, 41, 43, 57, 59 | 148034GT    | 103               | 148444GT      | 107-108, 111          |
| 128085GT    | 163                    | 13585GT     | 108, 151               | 148035GT    | 91-92             | 148461GT      | 119                   |
| 1281807GT   | 99                     | 13854GT     | 117, 177               | 148036GT    | 95                | 1484GT        | 11                    |
| 1283121GT   | 66                     | 139168GT    | 81                     | 148040GT    | 75-76             | 148548GT      | 119                   |
| 128328GT    | 89                     | 139173GT    | 81                     | 148044GT    | 191               | 160566GT      | 123-124               |
| 128332GT    | 75-76                  | 13918GT     | 63                     | 148046GT    | 189               | 160739GT      | 189                   |
| 128350GT    | 79                     | 13918GT     | 63                     | 148052GT    | 89                | 160740GT      | 189                   |
| 128351GT    | 79                     | 139191GT    | 73                     | 148053GT    | 89                | 160744GT      | 189                   |
| 128516GT    | 79                     | 139192GT    | 73                     | 148054GT    | 89                | 160905GT      | 123-124               |
| 13000GT     | 75-76, 89, 177         | 139193GT    | 75-76                  | 148055GT    | 85                | 160906GT      | 123-124               |
| 13002GT     | 177                    | 139196GT    | 73                     | 148068GT    | 123-124           | 160907GT      | 123-124               |
| 13022GT     | 89                     | 139200GT    | 73                     | 148069GT    | 123-124           | 161193GT      | 75-76                 |
| 13064GT     | 66                     | 139202GT    | 73                     | 148070GT    | 123-124           | 161209GT      | 75-76                 |
| 13083GT     | 115                    | 139203GT    | 11, 79                 | 148071GT    | 123-124           | 161213GT      | 123-124               |
| 131323GT    | 107-108                | 139204GT    | 79                     | 148072GT    | 123-124           | 161214GT      | 123-124               |
| 131372GT    | 75-76, 87, 97          | 139205GT    | 79                     | 148073GT    | 123-124           | 161695GT      | 87                    |
| 131373GT    | 89                     | 139206GT    | 79                     | 148074GT    | 123-124           |               |                       |
| 131378GT    | 83                     | 139211GT    | 81                     | 148075GT    | 123-124           |               |                       |
| 131379GT    | 11                     | 139212GT    | 81                     | 148076GT    | 123-124, 173      |               |                       |

## Part Number Index (continued)

| Part Number | Page                           | Part Number | Page   | Part Number | Page  | Part Number | Page              |
|-------------|--------------------------------|-------------|--|-------------|---|-------------|-------------------|
| 161714GT    | 81                             | 227483GT    | 181  | 229668GT    | 92  | 233933GT    | 81, 103           |
| 161715GT    | 81                             | 227484GT    | 181  | 229740GT    | 108   | 233943GT    | 75-76, 111        |
| 161805GT    | 119                            | 227485GT    | 181  | 229761GT    | 11  | 233944GT    | 75-76             |
| 162455GT    | 83                             | 227486GT    | 197  | 229771GT    | 105   | 233945GT    | 75-76, 107-108    |
| 162456GT    | 83                             | 227487GT    | 197  | 229827GT    | 13, 29, 45  | 233946GT    | 75-76, 107-108    |
| 162457GT    | 75-76                          | 227489GT    | 197  | 229828GT    | 21, 37, 53  | 233947GT    | 75-76             |
| 162458GT    | 75-76                          | 227490GT    | 197  | 229835GT    | 13, 15, 29, 31, 45, 47                              | 233948GT    | 91-92             |
| 162459GT    | 95                             | 227491GT    | 197  | 229871GT    | 13, 29, 45  | 233949GT    | 91-92             |
| 162460GT    | 95                             | 227492GT    | 163  | 229915GT    | 17, 19, 33, 35, 49, 51                              | 233954GT    | 37                |
| 162461GT    | 95                             | 227579GT    | 73   | 229916GT    | 17, 33, 49  | 233955GT    | 53                |
| 162462GT    | 95                             | 227582GT    | 73   | 230473GT    | 89  | 233956GT    | 21                |
| 162463GT    | 87                             | 227592GT    | 73   | 230477GT    | 89  | 233957GT    | 37                |
| 18383GT     | 127-128, 131, 135              | 227593GT    | 73   | 230489GT    | 27  | 233958GT    | 53                |
| 18503GT     | 75-76, 89, 95                  | 227594GT    | 73   | 230490GT    | 35, 43  | 233959GT    | 21                |
| 18540GT     | 66                             | 227598GT    | 171  | 230491GT    | 59  | 233960GT    | 37                |
| 18605GT     | 66, 71, 127-128, 133, 137, 191 | 227599GT    | 171  | 230492GT    | 25  | 233961GT    | 53                |
| 18666GT     | 108                            | 227600GT    | 171  | 230493GT    | 41  | 233962GT    | 21                |
| 19440GT     | 61                             | 227601GT    | 171  | 230494GT    | 57  | 233963GT    | 37                |
| 19506GT     | 115                            | 227602GT    | 171  | 230493GT    | 41  | 233964GT    | 53                |
| 19859GT     | 75-76                          | 227603GT    | 171  | 230494GT    | 57  | 234598GT    | 157               |
| 20224GT     | 157                            | 227604GT    | 171  | 23061GT     | 89  | 234599GT    | 157               |
| 20912GT     | 65-66                          | 227605GT    | 171  | 230803GT    | 19, 35, 51  | 234600GT    | 157               |
| 21019GT     | 91-92                          | 227606GT    | 171  | 230804GT    | 13, 15, 29, 31, 45, 47                              | 234601GT    | 157               |
| 21130GT     | 85, 91-92                      | 227607GT    | 171  | 230805GT    | 27  | 234602GT    | 157               |
| 21465GT     | 75-76, 91-92, 107-108          | 227608GT    | 171  | 230806GT    | 43  | 234603GT    | 157               |
| 214817GT    | 165                            | 227609GT    | 169  | 230807GT    | 59  | 234604GT    | 157               |
| 21496GT     | 81                             | 227610GT    | 169  | 230808GT    | 17, 19, 25, 27, 33, 35, 41, 43, 49, 51, 57, 59, 153 | 234605GT    | 157               |
| 215229GT    | 107-108                        | 227611GT    | 169  | 230809GT    | 25  | 234606GT    | 157               |
| 215475GT    | 177                            | 227612GT    | 169  | 230810GT    | 41  | 234607GT    | 157               |
| 215919GT    | 123-124                        | 227613GT    | 169  | 230811GT    | 57  | 234608GT    | 157               |
| 218604GT    | 75-76                          | 227614GT    | 167, 171                                       | 230849GT    | 65-66   | 234609GT    | 157               |
| 219112GT    | 121                            | 227713GT    | 201  | 230850GT    | 108   | 234610GT    | 157               |
| 219210GT    | 147                            | 227714GT    | 201  | 230858GT    | 165   | 234611GT    | 157, 161          |
| 219437GT    | 89, 95                         | 227715GT    | 201  | 230983GT    | 157   | 234612GT    | 157, 159, 161     |
| 219695GT    | 183                            | 227716GT    | 201  | 231083GT    | 153   | 234613GT    | 157               |
| 219696GT    | 183                            | 227717GT    | 201  | 231084GT    | 115   | 234617GT    | 75-76             |
| 220153GT    | 71                             | 227720GT    | 181  | 231092GT    | 157   | 23469GT     | 73                |
| 220237GT    | 71                             | 227724GT    | 197  | 231226GT    | 89  | 23472GT     | 73                |
| 22446GT     | 145                            | 227726GT    | 197  | 231227GT    | 89  | 234769GT    | 159               |
| 226089GT    | 113                            | 227728GT    | 197  | 231231GT    | 83  | 234770GT    | 159               |
| 226378GT    | 165                            | 227730GT    | 197  | 231232GT    | 83  | 234771GT    | 159               |
| 226379GT    | 165                            | 227735GT    | 197  | 231233GT    | 11  | 234772GT    | 159, 161          |
| 226380GT    | 163                            | 227738GT    | 197  | 231529GT    | 101   | 234773GT    | 159               |
| 226381GT    | 195                            | 227740GT    | 197  | 231532GT    | 99  | 234774GT    | 159               |
| 22672GT     | 87                             | 227742GT    | 197  | 231557GT    | 107-108   | 234775GT    | 161               |
| 22676GT     | 81, 89                         | 227768GT    | 201  | 231574GT    | 89  | 234776GT    | 161               |
| 226960GT    | 75-76, 107-108                 | 227872GT    | 89   | 23167GT     | 107-108   | 234777GT    | 159               |
| 22700GT     | 79, 81, 89                     | 22788GT     | 69, 127-128, 133, 137                          | 23168GT     | 11, 107-108   | 2347GT      | 107-108           |
| 227458GT    | 171                            | 227925GT    | 89   | 23182GT     | 11, 107-108   | 234802GT    | 11                |
| 227459GT    | 171                            | 228103GT    | 127-128, 131, 135, 137                         | 231929GT    | 83  | 234803GT    | 11                |
| 227460GT    | 171                            | 228327GT    | 17, 19, 25, 27                                 | 232536GT    | 69  | 234842GT    | 83                |
| 227461GT    | 171                            | 228328GT    | 33, 35, 41, 43                                 | 232537GT    | 69  | 234843GT    | 83                |
| 227462GT    | 169, 171                       | 228329GT    | 49, 51, 57, 59                                 | 232845GT    | 115   | 234844GT    | 83                |
| 227463GT    | 171                            | 228407GT    | 15, 23, 31, 39, 47, 55                         | 233039GT    | 13  | 234845GT    | 89                |
| 227464GT    | 169, 171                       | 228458GT    | 95   | 233040GT    | 21  | 234846GT    | 89                |
| 227465GT    | 169, 171                       | 228698GT    | 79, 81, 89                                     | 233041GT    | 65-66   | 234847GT    | 89                |
| 227466GT    | 169                            | 228974GT    | 73, 83, 91-92                                  | 233042GT    | 29  | 234848GT    | 89                |
| 227467GT    | 169                            | 22903GT     | 83   | 233043GT    | 45  | 234867GT    | 85                |
| 227468GT    | 169                            | 229071GT    | 79   | 233044GT    | 13  | 235080GT    | 119               |
| 227469GT    | 169                            | 229079GT    | 161  | 233045GT    | 29  | 235081GT    | 119               |
| 227470GT    | 169                            | 229243GT    | 79   | 233046GT    | 45  | 235082GT    | 119               |
| 227471GT    | 169                            | 229291GT    | 115  | 233047GT    | 13  | 235083GT    | 119               |
| 227472GT    | 169                            | 229305GT    | 169  | 233048GT    | 29  | 235084GT    | 119               |
| 227473GT    | 169                            | 22934GT     | 73, 83   | 233507GT    | 73  | 235085GT    | 119               |
| 227474GT    | 169                            | 229427GT    | 13, 15, 21, 23, 29, 31, 37, 39, 45, 47, 53, 55 | 233508GT    | 73  | 235086GT    | 119               |
| 227475GT    | 87, 169                        | 229430GT    | 19   | 233799GT    | 45  | 235087GT    | 119               |
| 227476GT    | 87, 169                        | 229431GT    | 35   | 233800GT    | 13  | 235088GT    | 119               |
| 227477GT    | 169                            | 229432GT    | 51   | 233801GT    | 29  | 235089GT    | 191               |
| 227478GT    | 167                            | 229435GT    | 115  | 233802GT    | 45  | 235090GT    | 147               |
| 227479GT    | 167                            | 229625GT    | 169  | 233821GT    | 103   | 235091GT    | 191               |
| 227480GT    | 185                            |             |  | 233822GT    | 89, 91-92   | 235092GT    | 127-128, 131, 135 |
| 227481GT    | 185                            |             |  | 233823GT    | 103   | 235093GT    | 127-128, 131, 135 |
| 227482GT    | 181                            |             |  | 233824GT    | 103   | 235094GT    | 127-128, 131, 135 |

## Part Number Index (continued)

| Part Number | Page       | Part Number | Page   | Part Number | Page   | Part Number | Page   |
|-------------|------------|-------------|--|-------------|--|-------------|--|
| 235095GT    | 69         | 28158GT     | 15, 23, 31, 39, 47, 55   | 38149GT     | 15, 23, 31, 39, 47, 55   |             | 131, 133, 135, 137, 141, 143,                  |
| 235096GT    | 69         |             |  |             |  |             | 145, 147, 149,                                 |
| 235097GT    | 147        | 28159GT     | 15, 23, 31, 39, 47, 55   | 38979GT     | 107-108  |             | 177, 183, 191,                                 |
| 235098GT    | 147        |             |  | 39540GT     | 115  |             | 195, 199, 201                                  |
| 235099GT    | 147        | 28160GT     | 13, 21, 29, 37, 45, 53   | 39882GT     | 163  |             |  |
| 235100GT    | 147        |             |  | 40434GT     | 17, 19, 25, 27, 33, 35, 41, 43, 49, 51, 57, 59   | 48425GT     | 147  |
| 235122GT    | 137        | 28174GT     | 15, 17, 19, 23, 25, 27, 31, 33, 35, 39, 41, 43, 47, 49, 51, 55, 57, 59 |             |  | 48846GT     | 183  |
| 235170GT    | 139        |             |  | 42360GT     | 61   | 48875GT     | 181, 197                                       |
| 235171GT    | 141        |             |  | 42489GT     | 187  | 48880GT     | 157  |
| 235172GT    | 141        |             |  | 42662GT     | 99   | 48883GT     | 169  |
| 235173GT    | 139        |             |  | 42666GT     | 105, 135, 145  | 48892GT     | 197  |
| 235174GT    | 141        | 28175GT     | 13, 15, 29, 31, 45, 47   | 42767GT     | 11, 91-92  | 48905GT     | 65-66, 163, 169, 171, 197                      |
| 235175GT    | 141        |             |  | 43392GT     | 119, 121   | 48909GT     | 61, 169, 171, 197                              |
| 235176GT    | 139        | 28176GT     | 17, 19, 33, 35, 49, 51   | 43618GT     | 17, 19, 25, 27, 33, 35, 41, 43, 49, 51, 57, 59   | 48911GT     | 61, 169  |
| 235177GT    | 141        |             |  |             |  | 48912GT     | 61, 169, 171                                   |
| 235178GT    | 141        | 28235GT     | 15, 17, 19, 23, 25, 27, 31, 33, 35, 39, 41, 43, 47, 49, 51, 55, 57, 59 | 43700GT     | 87   | 48915GT     | 169, 171, 197                                  |
| 235179GT    | 139        |             |  | 43956GT     | 151  | 48916GT     | 165, 167, 169, 197                             |
| 235180GT    | 141        |             |  | 44174GT     | 157, 159, 193  | 48929GT     | 171  |
| 235181GT    | 141        |             |  | 44175GT     | 193  | 48930GT     | 65-66, 197                                     |
| 235182GT    | 115        | 28236GT     | 17, 19, 33, 35, 49, 51   | 44181GT     | 85   | 48933GT     | 169, 171, 181, 197                             |
| 235331GT    | 143        |             |  | 44184GT     | 73   |             |  |
| 235332GT    | 143        | 28373GT     | 13, 15, 29, 31, 45, 47   | 44190GT     | 79   | 48943GT     | 61, 171  |
| 235499GT    | 73         |             |  | 44191GT     | 83   | 48947GT     | 169, 171, 181                                  |
| 235500GT    | 73         | 28443GT     | 203  | 44192GT     | 83   | 48948GT     | 65-66, 169                                     |
| 235501GT    | 73         | 28646GT     | 195  | 44193GT     | 83   | 48960GT     | 169, 171, 183, 185                             |
| 235502GT    | 73         | 28853GT     | 187  | 44196GT     | 85   |             |  |
| 235503GT    | 73         | 29447GT     | 105  | 44197GT     | 85   | 48961GT     | 169  |
| 235504GT    | 73         | 29868GT     | 71, 119, 121, 147, 177, 191  | 44198GT     | 85   | 48983GT     | 169  |
| 235505GT    | 73         |             |  | 44201GT     | 85   | 48984GT     | 169  |
| 235506GT    | 73         | 30348GT     | 95   | 44202GT     | 85   | 48985GT     | 169  |
| 235509GT    | 73         | 30434GT     | 127-128, 133, 137  | 44203GT     | 87   | 48997GT     | 157, 161, 169, 171                             |
| 235510GT    | 73         |             |  | 44204GT     | 87   |             |  |
| 235511GT    | 73         | 30973GT     | 83   | 44224GT     | 157  | 49000GT     | 117  |
| 235512GT    | 73         | 31060GT     | 13, 29, 45   | 44227GT     | 157, 165   | 49375GT     | 81   |
| 235513GT    | 73         | 31379GT     | 85, 91-92  | 44228GT     | 157, 159   | 49379GT     | 91-92  |
| 235516GT    | 75-76      | 31506GT     | 107-108  | 44230GT     | 159, 193   | 49408GT     | 83   |
| 235517GT    | 75-76      | 31658-SGT   | 107-108  | 44255GT     | 13, 15, 29, 31, 45, 47   | 49612GT     | 157  |
| 235518GT    | 75-76      |             |  |             |  | 49613GT     | 11, 157  |
| 235519GT    | 75-76      | 31779GT     | 11   | 44733GT     | 113  | 49816GT     | 115, 173, 191                                  |
| 235520GT    | 75-76      | 31788GT     | 13, 29, 45   | 44736GT     | 17, 19, 33, 35, 49, 51   | 49817GT     | 79   |
| 235521GT    | 75-76      | 32064GT     | 101  |             |  | 49818GT     | 115  |
| 235522GT    | 75-76      | 32069GT     | 73, 75-76, 83  | 44743GT     | 147  | 49819GT     | 115  |
| 235523GT    | 79         | 32077GT     | 83   | 44780GT     | 61   | 49821GT     | 71, 127-128, 133, 137                          |
| 235524GT    | 79         | 32084GT     | 75-76  | 44782GT     | 61   |             |  |
| 235525GT    | 79         | 32092GT     | 73   | 44909GT     | 111  | 49857GT     | 61, 71   |
| 235526GT    | 79         | 32103GT     | 85   | 44936GT     | 108, 191   | 49861GT     | 181  |
| 235527GT    | 81         | 32150GT     | 11   | 44973GT     | 165  | 51428GT     | 189  |
| 235528GT    | 81         | 32151GT     | 11   | 44981GT     | 15, 17, 19, 23, 25, 27, 31, 33, 35, 39, 41, 43, 47, 49, 51, 55, 57, 59                   | 51451GT     | 117  |
| 235529GT    | 81         | 32182GT     | 85   |             |  | 51474GT     | 66   |
| 235530GT    | 81         | 32185GT     | 83, 89   | 45384GT     | 119, 121   | 51495GT     | 75-76  |
| 235531GT    | 81         | 32189GT     | 83   | 45435GT     | 75-76, 87, 97, 103   | 51510GT     | 81   |
| 235532GT    | 81         | 32191GT     | 83   |             |  | 51580GT     | 181  |
| 235533GT    | 81         | 32192GT     | 83   | 45437GT     | 151  | 51735GT     | 101  |
| 235552GT    | 73         | 32194GT     | 83   | 45444GT     | 201  | 51738GT     | 89   |
| 235991GT    | 108        | 32199GT     | 83   | 45454GT     | 89, 115, 117   | 51745GT     | 81, 85   |
| 236007GT    | 85         | 32200GT     | 83   | 45470GT     | 151, 177   | 51814GT     | 195  |
| 236045GT    | 91-92      | 32205GT     | 89   | 45708GT     | 103  | 5224GT      | 191  |
| 236046GT    | 91-92      | 33418GT     | 89   | 46131GT     | 76, 111  | 52371GT     | 157, 159                                       |
| 236095GT    | 11, 87     | 33550GT     | 147  | 46718GT     | 183  | 52374GT     | 157  |
| 236426GT    | 91-92      | 33629GT     | 151  | 47077GT     | 199  | 52377GT     | 159  |
| 237340GT    | 66         | 33724GT     | 151  | 47230GT     | 117, 143, 147  | 52378GT     | 157, 159                                       |
| 24037GT     | 89         | 33987GT     | 65-66  | 47238GT     | 189  | 52420GT     | 75-76, 87, 97, 103                             |
| 24514GT     | 147        | 34052GT     | 115, 183   | 47312GT     | 61   | 52425GT     | 75-76  |
| 25388GT     | 151        | 34053GT     | 115, 183   | 47478GT     | 143, 147   | 52427GT     | 75-76  |
| 25817GT     | 61         | 34211GT     | 107-108, 111   | 47793GT     | 145  | 52475GT     | 13, 15, 21, 23, 29, 31, 37, 39, 45, 47, 53, 55 |
| 25926GT     | 91-92      | 34955GT     | 92   | 4828GT      | 63, 66, 69, 71, 79, 81, 89, 97, 99, 101, 103, 105, 107-108, 111, 113, 119, 121, 127-128, |             |  |
| 25929GT     | 83, 92     | 35418GT     | 85, 91-92  |             |  | 52494GT     | 17, 19, 33, 35, 49, 51                         |
| 27089GT     | 85         | 35434GT     | 75-76, 91-92, 97   |             |  | 52521GT     | 79   |
| 27581GT     | 11         | 35461GT     | 71, 127-128, 133, 137  |             |  | 52531GT     | 83   |
| 27894GT     | 199        |             |  |             |  | 52532GT     | 83   |
| 27895GT     | 199        | 35706GT     | 147  |             |  | 52533GT     | 83   |
| 27900GT     | 199        | 36872GT     | 103  |             |  |             |  |
| 27901GT     | 199        | 37947GT     | 115  |             |  |             |  |
| 27903GT     | 75-76, 199 | 38016GT     | 147  |             |  |             |  |
| 28092GT     | 73, 83     | 38028GT     | 143, 191   |             |  |             |  |

## Part Number Index (continued)

| Part Number | Page  | Part Number | Page  | Part Number | Page   | Part Number | Page                               |
|-------------|---|-------------|---|-------------|--|-------------|------------------------------------|
| 52535GT     | 73, 75-76, 79   | 6175GT      | 101, 117, 143, 147  | 71315GT     | 143, 147                                       | 82487GT     | 23, 25, 27, 39, 41, 43, 55, 57, 59 |
| 52536GT     | 79  |             |   | 71376GT     | 143  | 825187GT    | 153                                |
| 52808GT     | 73  | 6178GT      | 89, 108, 115, 173, 191  | 71382GT     | 203  | 82557GT     | 17, 19, 33, 35, 49, 51             |
| 52816GT     | 11, 73  |             |   | 71484GT     | 108  | 82558GT     | 13, 15, 29, 31, 45, 47             |
| 52834GT     | 85  | 6198GT      | 61, 69, 79, 95, 99, 103, 105, 108, 113, 117, 127-128, 133, 137, 139, 177, 189     | 71498GT     | 203  | 8255GT      | 61, 66, 105, 113, 117, 199         |
| 52850GT     | 73, 75-76   |             |   | 71508GT     | 71   | 82560GT     | 21, 23, 37, 39, 53, 55             |
| 52865GT     | 15, 31, 47  |             |   | 71909GT     | 91-92  | 82561GT     | 13, 15, 29, 31, 45, 47             |
| 52867GT     | 11, 92  |             |   | 71912GT     | 191  | 82562GT     | 21, 23, 37, 39, 53, 55             |
| 52897GT     | 159   |             |   | 71925GT     | 195  | 826516GT    | 191                                |
| 52902GT     | 157   |             |   | 72086GT     | 13, 15, 21, 23, 29, 31, 37, 39, 45, 47, 53, 55 | 82666GT     | 21, 23, 37, 39, 53, 55             |
| 52907GT     | 157, 161  | 62116GT     | 85  |             |  | 82793GT     | 15, 31, 47                         |
| 52910GT     | 159   | 62117GT     | 85  | 72097GT     | 195  | 83093GT     | 115                                |
| 52967GT     | 13, 15, 21, 23, 29, 31, 37, 39, 45, 47, 53, 55  | 62118GT     | 85  | 72186GT     | 13, 15, 29, 31, 45, 47                         | 83131GT     | 115                                |
| 53500GT     | 163   | 62119GT     | 85  |             |  | 832128GT    | 73, 83                             |
| 53605GT     | 117   | 62160GT     | 73, 83, 92, 101   | 72326GT     | 153  | 839119GT    | 85                                 |
| 5365GT      | 66  | 62164GT     | 153   | 72343GT     | 95   | 839149GT    | 85                                 |
| 5397GT      | 75-76, 89, 92, 97, 105  | 62207GT     | 161   | 7339GT      | 63   | 839151GT    | 83                                 |
| 54123GT     | 107-108   | 62296GT     | 87  | 73464GT     | 65-66, 127-128, 131, 135                       | 839209GT    | 83                                 |
| 54332GT     | 73, 83  | 62337GT     | 157   | 73466GT     | 66, 177, 201                                   | 839233GT    | 85                                 |
| 54534GT     | 115   | 62339GT     | 157   | 73736GT     | 115  | 84039GT     | 73                                 |
| 54556GT     | 91-92   | 62341GT     | 157, 161  | 73803GT     | 115  | 84040GT     | 73                                 |
| 54627GT     | 65-66   | 62421GT     | 11, 91-92   | 74006GT     | 108  | 84053GT     | 79                                 |
| 55484GT     | 195   | 62815GT     | 157   | 74389GT     | 61   | 84077GT     | 81                                 |
| 55485GT     | 195   | 6326GT      | 127-128, 131, 135, 149, 177, 195  | 74514GT     | 75-76  | 84109GT     | 193                                |
| 55517GT     | 119, 121, 147   | 63375GT     | 108   | 74544GT     | 87   | 84408GT     | 75-76                              |
| 55558GT     | 165   | 6356GT      | 81, 107-108, 183  | 75175GT     | 91-92  | 84421GT     | 165                                |
| 55559GT     | 165   | 64154GT     | 71, 103, 105, 108, 113, 119, 121, 127-128, 131, 135, 183, 191                     | 75260GT     | 105  | 84423GT     | 165                                |
| 55675GT     | 121   |             |   | 75854GT     | 183  | 84808GT     | 75-76                              |
| 55682GT     | 195   |             |   | 75855GT     | 183  | 84810GT     | 75-76                              |
| 56912GT     | 61, 65-66, 69, 105, 108, 183, 189   | 65837GT     | 83  | 77026GT     | 191  | 84812GT     | 91-92                              |
| 56949GT     | 85, 91-92   | 65853GT     | 11, 85  | 7713GT      | 65-66, 71, 105, 113, 117, 147                  | 84813GT     | 91-92                              |
| 57075GT     | 108   | 6595GT      | 151   | 77402GT     | 91-92  | 84814GT     | 91-92                              |
| 58486GT     | 113   | 66030GT     | 143, 145, 147   | 77692GT     | 101, 107-108, 111                              | 84816GT     | 95                                 |
| 58592GT     | 65-66   | 6605GT      | 89  |             |  | 85071GT     | 11, 95                             |
| 59568GT     | 191   | 6606GT      | 89  | 78038GT     | 117  | 85143GT     | 95                                 |
| 6002GT      | 83  | 6626GT      | 151   | 78674GT     | 108  | 85155GT     | 91-92                              |
| 6019GT      | 76, 79, 81, 87, 89, 95, 105, 108, 119, 121, 137, 177, 183, 191  | 66353GT     | 108, 151  | 78736GT     | 65-66, 127-128, 131, 135, 137                  | 8516GT      | 69, 89, 97                         |
| 6021GT      | 76, 87, 95, 105, 119, 121, 201  | 66355GT     | 108, 151  |             |  | 85197GT     | 76, 87, 95, 101                    |
| 60334GT     | 105   | 66356GT     | 151   | 78903GT     | 155  | 866040GT    | 85                                 |
| 6033GT      | 91-92, 95   | 6637GT      | 61, 143, 189  | 78903HGT    | 155  | 866050GT    | 11, 83                             |
| 60585GT     | 91-92   | 6638GT      | 61, 73, 75-76, 79, 81, 85, 91-92, 99, 101, 105, 115, 119, 143, 145, 147, 183, 189 | 79015GT     | 183  | 866070GT    | 85                                 |
| 60790GT     | 69, 99  |             |   | 79090GT     | 147  | 866127GT    | 11, 75-76                          |
| 60857GT     | 11, 105   | 66399GT     | 11  | 79355GT     | 143, 145, 147                                  | 866400GT    | 11, 73                             |
| 6090GT      | 65-66, 69, 81, 85, 91-92, 107-108, 115, 147, 151, 183   | 66717GT     | 108   | 79374GT     | 173  | 87002GT     | 191                                |
| 6091GT      | 65-66, 73, 75-76, 79, 81, 85, 91-92, 97, 99, 101, 103, 108, 115, 121, 143, 145, 147, 151, 173, 183, 191 | 66812GT     | 115, 153  | 79383GT     | 199  | 87033GT     | 169                                |
| 6095GT      | 69, 79, 95, 99, 128, 133, 137   | 66817GT     | 115, 153  | 79456GT     | 73, 91-92, 101                                 | 87070GT     | 107-108                            |
| 6096GT      | 69, 127-128, 133, 137, 189  | 66818GT     | 115, 153  | 79831GT     | 195  | 87075GT     | 113                                |
| 6097GT      | 63, 69, 97, 99, 101, 103, 107-108, 111, 113, 133, 137, 141, 147, 149, 177, 183, 201                     | 6700GT      | 76, 87, 95, 115   | 80149GT     | 153  | 87190GT     | 165                                |
| 61225GT     | 89  | 6708GT      | 145, 147  | 81329GT     | 121  | 87191GT     | 165                                |
| 6146GT      | 79, 115   | 67387GT     | 63, 105   | 81579GT     | 71   | 87193GT     | 151                                |
| 61741GT     | 85  | 67504GT     | 115, 124, 183   | 81633GT     | 75-76  | 87265GT     | 173                                |
|             |   | 6782GT      | 85, 89, 97, 108, 119, 147, 177  | 8179GT      | 183  | 87320-SGT   | 145                                |
|             |   | 67933GT     | 195   | 82240GT     | 21, 37, 53                                     | 87523GT     | 143                                |
|             |   | 6873GT      | 108   | 823041GT    | 203  | 87564GT     | 147                                |
|             |   | 6878GT      | 97, 99, 103, 121, 145, 173, 191   | 823042GT    | 203  | 87566GT     | 153                                |
|             |   | 6886GT      | 91-92   | 823043GT    | 203  | 87567GT     | 153                                |
|             |   | 6888GT      | 79, 85, 115   | 823044GT    | 203  | 87568GT     | 143                                |
|             |   | 6889GT      | 119, 127-128, 131, 135, 137, 145, 147, 149, 153                                   | 823045GT    | 203  | 87570GT     | 147                                |
|             |   | 69864GT     | 115, 124  | 823046GT    | 203  | 87571GT     | 147                                |
|             |   | 7056GT      | 108, 151  | 823341GT    | 153  | 87584GT     | 81, 85                             |
|             |   | 71202PGT    | 105   | 82366GT     | 15, 31, 47                                     | 87645GT     | 147                                |
|             |   | 71259GT     | 183   | 824027GT    | 175  | 87675GT     | 147                                |
|             |   | 7127GT      | 151   | 82418GT     | 15, 23, 31, 39, 47, 55                         | 87684GT     | 65-66, 103, 113                    |
|             |   |             |   | 82473GT     | 21, 23, 37, 39, 53, 55                         | 88296GT     | 65-66                              |
|             |   |             |   | 82474GT     | 21, 23, 37, 39, 53, 55                         | 89065GT     | 61                                 |
|             |   |             |   | 82475GT     | 21, 23, 37, 39, 53, 55                         | 89066GT     | 61                                 |
|             |   |             |   | 82476GT     | 21, 23, 37, 39, 53, 55                         | 8914GT      | 149                                |
|             |   |             |   | 82481GT     | 21, 37, 53                                     | 8915GT      | 91-92                              |



| Part Number | Page                                    | Part Number | Page           |
|-------------|---|-------------|----------------|
| 89997GT     | 79                                      | T109747GT   | 123-124        |
| 94232GT     | 95                                      | T109748GT   | 123-124        |
| 94239GT     | 92                                      | T109749GT   | 123-124        |
| 94240GT     | 95                                      | T109750GT   | 123-124        |
| 94242GT     | 95                                      | T110624GT   | 193            |
| 94243GT     | 95                                      | T110637GT   | 65-66          |
| 94244GT     | 91-92                                   | T111767GT   | 113            |
| 94532GT     | 79, 81, 89, 91-92                       | T111768GT   | 113            |
| 94688GT     | 87, 95                                  | T111769GT   | 113            |
| 94762GT     | 11, 91-92                               | T112283GT   | 105            |
| 94784GT     | 95                                      | T112457GT   | 107-108        |
| 94889GT     | 91-92                                   | T112503GT   | 61             |
| 96008-SGT   | 115                                     | T112560GT   | 151            |
| 96009GT     | 115                                     | T112563GT   | 151            |
| 96010GT     | 115                                     | T113085GT   | 159            |
| 96203GT     | 103, 105, 108,<br>113, 128, 133,<br>137 | T113979GT   | 73             |
| 96236GT     | 108, 151                                | T114353GT   | 201            |
| 96320GT     | 66                                      | T114354GT   | 201            |
| 96699GT     | 175                                     | T114356GT   | 201            |
| 96905GT     | 135, 137                                | T114357GT   | 201            |
| 96977GT     | 69, 127-128,<br>133, 137, 139,<br>141   | T114358GT   | 201            |
| 97013GT     | 155                                     | T114634GT   | 123-124        |
| 97014GT     | 155                                     | T114635GT   | 13, 15, 21, 23 |
| 97015GT     | 155                                     | T114636GT   | 29, 31, 37, 39 |
| 97368GT     | 159                                     | T114637GT   | 45, 47, 53, 55 |
| 97372GT     | 157                                     | T114638GT   | 17, 19         |
| 97473GT     | 95                                      | T114639GT   | 33             |
| 97482GT     | 75-76                                   | T114640GT   | 49, 51         |
| 97602GT     | 13, 29, 45                              | T114641GT   | 17             |
| 97719GT     | 15, 23, 31, 39,<br>47, 55               | T114642GT   | 33             |
| 99089GT     | 115                                     | T114643GT   | 49             |
| 99097GT     | 76, 87, 103                             | T114655GT   | 73             |
| 99163GT     | 153                                     | T114657GT   | 75-76          |
| 99164GT     | 153                                     | T114659GT   | 75-76          |
| 99199GT     | 85                                      | T114682GT   | 73             |
| 99267GT     | 147                                     | T114860GT   | 69             |
| 99268GT     | 147                                     | T115515GT   | 69             |
| 99346GT     | 71, 113                                 | T115706GT   | 108            |
| 99851GT     | 95                                      |             |                |
| 99852GT     | 95                                      |             |                |
| 99882GT     | 87                                      |             |                |
| T106385GT   | 191                                     |             |                |
| T106699GT   | 115                                     |             |                |
| T106782GT   | 108                                     |             |                |
| T106787GT   | 107-108                                 |             |                |
| T107408GT   | 157                                     |             |                |
| T107936GT   | 65-66                                   |             |                |
| T107969GT   | 65-66                                   |             |                |
| T107978GT   | 65-66                                   |             |                |
| T108039GT   | 149                                     |             |                |
| T108044GT   | 153                                     |             |                |
| T108074GT   | 149                                     |             |                |
| T108133GT   | 73                                      |             |                |
| T108137GT   | 127-128, 131,<br>135                    |             |                |
| T108138GT   | 127-128, 131,<br>135                    |             |                |
| T108139GT   | 127-128, 131,<br>135                    |             |                |
| T108147GT   | 115                                     |             |                |
| T109085GT   | 61                                      |             |                |
| T109593GT   | 61                                      |             |                |
| T109734GT   | 127-128, 131,<br>137                    |             |                |
| T109736GT   | 117                                     |             |                |
| T109738GT   | 123-124                                 |             |                |
| T109739GT   | 65-66                                   |             |                |
| T109743GT   | 123-124                                 |             |                |
| T109744GT   | 65-66                                   |             |                |
| T109745GT   | 65-66                                   |             |                |
| T109746GT   | 123-124                                 |             |                |

## Part Description Index

The Part Description Index is an alphabetical index of all part descriptions included in this manual. The index shows what page(s) the part is used on.

**1**

1-1/8T TUBE CLAMP.....183  
12VDC PROPORTIONAL VALVE.....179

**2**

207 HYD MOTOR ASSY, GEN.....179

**A**

ADAPTER, FLANGE GEAR, 3 HOLE.....87, 95  
ADAPTER,FLANGE,FLYWHEEL.....75-76  
ADAPTER,FLANGEGEAR,3 HOLE,GRDN...95  
ADAPTER,WHEEL,GS68/GS69.....61  
AIR CLEANER ASSEMBLY, DF-752.....75-76  
AIR CLEANER ASSY.....87  
AIR CLEANER COVER, DF-752.....75-76  
AIR CLEANER FLANGE,DF-972.....75-76  
AIR CLEANER STAY.....87  
AIRCLEANER ASSEMBLY.....11, 92, 97  
ALARM ASSY,12VDC,ITT,4 PIN\*\*\*\*.....153  
ALARM,STEADY TONE\*\*\*.....115  
ALTERNATOR GUARD,DF-972.....73  
ALTERNATOR STAY,WG750\*\*\*.....73  
ALTERNATOR,40 AMP,INT REG.....83  
ALTERNATOR,40 AMP,INT REGULATE.....95  
ALTERNATOR,40-AMP,DF-972.....73  
ALTERNATOR,GM .998L,PSI,Z34.....99  
ANALOG ROCKER ASSEMBLY\*\*\*.....153  
ANGLE,RELAY MNT,W/NUTSERTS,PNT...115  
ARM, 2ND OUTER,W/BEARINGS,SY.....127-128, 131, 135  
ARM, 2ND OUTER,W/BEARINGS,WO.....127-128, 131, 135  
ARM,2ND INNER ASSY,W/BEARINGS....127-128, 131, 135  
ASSY, HI FLOAT TIRE/WHEEL REAR.....65-66  
ASSY, PAINT,STEER YOKE, RT.....61  
ASSY, PLATE CONTROL, WG972.....79  
ASSY, WIRE ROPE, CHOKE, WG972.....81  
ASSY,FUEL HOSE,5/16"ID,10"L,FI...107-108, 111  
ASSY,FUEL HOSE,5/16"ID,120",FI...107-108, 111  
ASSY,FUEL HOSE,5/16"ID,14"L,FI...107-108, 111  
ASSY,FUEL HOSE,5/16"ID,15"L,FI.....97  
ASSY,FUEL HOSE,5/16"ID,20"L,FI.....97  
ASSY,FUEL HOSE,5/16"ID,26"L,FI.....97  
ASSY,FUEL HOSE,5/16"ID,41"L,FI.....97  
ASSY,FUEL HOSE,5/16"ID,8"L,FI.....107-108, 111  
ASSY,FUEL TANK,10 GAL,GS69.....107-108, 111  
ASSY,FUNCTION MANIFOLD,GS69.....157  
ASSY,HI FLOAT TIRE/WHEEL FRONT.....61  
ASSY,LCP,GS69.....115  
ASSY,LIMITSWITCH,OSC.AXLE,GS69....123-124  
ASSY,LINK,INNER #1,BLUE,GS69...127-128, 131, 135  
ASSY,LINK,INNER #1,GRAY,GS69.....127-128, 131, 135  
ASSY,LINK,INNER #2,BLUE,GS69...127-128, 131, 135

ASSY,LINK,INNER #2,GRAY,GS69.....127-128, 131, 135  
ASSY,LINK,INNER #3,BLUE,2669....127-128, 139  
ASSY,LINK,INNER #3,BLUE,3369.....131  
ASSY,LINK,INNER #3,BLUE,4069.....135  
ASSY,LINK,INNER #3,GRAY,2669.....127-128  
ASSY,LINK,INNER #3,GRAY,3369.....131  
ASSY,LINK,INNER #3,GRAY,4069.....135  
ASSY,LINK,INNER #4,BLUE,4069.....135  
ASSY,LINK,INNER #4,GRAY,4069.....135  
ASSY,LINK,INR #4-3369,#5-4069.....131, 135, 141  
ASSY,RELAY SOCKET, AUTO.....115, 183  
ASSY,TRACTION MANIFOLD,GS69.....159

**B**

B A C K U P  
RING,71.60X67.20X1.40PTFE(60334).....105  
BASE WITH 1 NC CONTACT, E-STOP.....115, 153  
BATTERY, 12V,900 CCA.....103  
BEACON LIGHT ASSY.....173  
BEARING KIT,OMNI\*\*\*.....65-66  
BEARING,1.00IDX1.25ODX0.75L.....66  
BEARING,1.00IDX1.25ODX1.00L.....61  
BEARING,1.00IDX1.25ODX1.00L\*\*.....163  
BEARING,1.25IDX1.50ODX0.88L.....127-128, 133, 137  
BEARING,1.50IDX1.75ODX2.00L.....127-128, 131, 135  
BEARING,BRZ,FL,1.0IDX1.25OD...79, 89, 91-92, 99, 105  
BEARING,BRZ,FL,1.25X1.50X1.1.....61  
BEARING,FL,1.25IDX1.50ODX.44LG.....127-128, 133, 137  
BELLHOUSING, KD-1105, A-PILOT.....87  
BELLHOUSING,DF-972,GRDN,GS69.....75-76  
BELLHOUSING,DF-972,GS69.....75-76  
BELT,FAN,D-1105.....11  
BELT,FAN,KUBOTA DF972/Z482-E.....11, 73  
BELT-FAN, PERKINS (103.10).....11, 95  
BLANKET,BATTERY.....187  
BOLT, ALT. STAY, WG972.....73  
BOLT, BELLHOUSING MNT, WG972.....75-76  
BOLT, CARRIAGE, 3/8-16 X 1.50, G5.....69, 99  
BOLT, D03 MOUNTING.....159  
BOLT, FAN COVER, D1105.....89  
BOLT, FAN, WG972.....73  
BOLT, FLANGE ADAPTER, WG972.....75-76  
BOLT, HEAT SHIELD, WG972.....73  
BOLT, M8X30MM, KUBOTA.....73  
BOLT, MUFFLER COVER, WG972.....73  
BOLT, THERMOSTAT COVER, WG972.....73  
BOLT, THROTTLE RET., WG972.....79  
BOLT,CARRIAGE,#10-24X 5/8",G2.....66  
BOLT,CARRIAGE,1/2-13X1.50,GR5.....69, 127-128, 133, 137, 139, 141  
BOLT,CARRIAGE,1/2-13X1.75, G5...103, 105, 108, 113, 128, 133, 137  
BOLT,CARRIAGE,1/4-20 X .5,G2.....153  
BOLT,CARRIAGE,1/4-20 X .63,G2.....147  
BOLT,CARRIAGE,1/4-20 X .75,G2.....97, 99, 103, 121, 145, 173, 191  
BOLT,CARRIAGE,1/4-20 X 1.00,G2.....73, 91-92, 101

BOLT,CARRIAGE,1/4-20 X 1.75,G2.....65-66, 127-128, 131, 135  
BOLT,CARRIAGE,1/4-20 X 2.5,G2.....135, 137  
BOLT,CARRIAGE,1/4-20X1.25,5,ZAG.....175  
BOLT,CARRIAGE,3/8-16 X .75,G2.....201  
BOLT,CARRIAGE,3/8-16 X 1.00,G2.....66, 177, 201  
BOLT,CARRIAGE,3/8-16 X 2.00,G2.....147  
BOLT,CARRIAGE,3/8-16 X1.00,G5.....71, 103, 105, 108, 113, 119, 121, 127-128, 131, 135, 183, 191  
BOLT,CARRIAGE,3/8-16X1.75....66  
BOLT,CARRIAGE,3/8-16X2.75,G5.....65-66, 143, 145, 147  
BOLT,FLYWHEEL,KUBOTA D905.....87  
BOLT,ROLLER,.470"(SHORT).....147  
BOLT,SHLDR,3/8X1.25,5/16-18S/S.....119  
BOLT,SHLDR,3/8X5/16X5/16-18S/S.....108  
BOLT,SHLDR,5/16X1/4X1/14-20S/S.....119  
BOLT,SHOULDER,5/8-11 X 1.19 LT.....191  
BOLT,WING,FILTER ELEMENT, D905.....87  
BOOT, JOYSTICK~.....155  
BOOT,THUMB ROCKER\*\*\*.....155  
BOTTLE,COOLANT RECOVERY,1.4\*\*\*.....79, 81, 89, 91-92  
BOX,INSTRUCTION STORAGE.....147  
BRACKET, AIR CLEANER.....75-76  
BRACKET, AIRCLEANER MT.....92, 97  
BRACKET, HIGH PRESSURE 4390.....105  
BRACKET, THROTTLE END RETAINER.....79  
BRACKET, WORK LIGHTS, OPTION.....203  
BRACKET,AIRLINE MOUNTING.....199  
BRACKET,RELAY MOUNT W/INSERTS.....115  
BRASS STREET ELBOW.....199  
BREAKER, 25 AMP, GEN.....179  
BREAKER,15 AMP,GEN.....179  
BRG,FL,1.5ID X 1.75OD X .5 LG.....127-128, 131, 133, 135, 137  
BRKT, BAFFLE, RADIATOR.....89  
BRKT. AIR CLEANER MOUNT.....87  
BULB,FLASHING BEACON.....173  
BULKHEAD,FEMALE X 6 X 6.....199  
BUMPER, 1.00 X .375 X 5/16.....147  
BUMPER, MODULE TRAY.....145  
BUMPER, RUBBER, 1"OD X .461H....143, 147  
BUMPER,BATTERY BOX & RAILS.....119, 121  
BUMPER,LINKS,GS69.....127-128, 131, 137  
BUMPER,RUBBER.....117, 143, 147  
BUMPER,RUBBER-1 X 1.25.....83  
BUSHING, 630DX.328ID .375T.....83  
BUTTON,PUSH,RED MUSHROOM HEAD.....115, 153

**C**

CABLE ASSY, B+ TO STRT, GS69IC.....123-124  
CABLE ASSY, ENG TO B-, GS69IC....123-124  
CABLE ASSY, ENG. TO GRD, GS69IC.....123-124  
CABLE ASSY, STARTER, PSI ENGINE....123-124  
CABLE CLAMP,3 WAY,HDPE.....105  
CABLE END.....79  
CABLE TIE,11.5" BLACK.....203  
CABLE,CONTROL JUMPER,GS69.....123-124  
CABLE,CONTROL,BASE,GS3369.....123-124

|  |  |                                       |
|--|--|---------------------------------------|
| CABLE,CONTROL,BASE,GS4069.....123-124                      | CLAMP,HOSE,5.00.....92                           | COVER, END, GENERATOR, 240V.....179   |
| CABLE,CONTROL,BASE,GS69.....123-124                        | CLAMP,HOSE,FRONT,2X#4,#6.....65-66               | COVER, FAN.....89                     |
| CABLE,CONTROL,GS2669.....123-124                           | CLAMP,HOSE,FRONT,3X#4.....65-66                  | COVER, HANDLE, YELLOW.....99          |
| CABLE,DOWN COILS,GS3369.....123-124                        | CLAMP,HOSE,KUBOTA WG750.....73, 75-76, 83        | COVER,BLANK.....151                   |
| CABLE,DOWN COILS,GS4069.....123-124                        | CLAMP,HOSE,SELF TIGHT, 7/16.....81, 85           | COVER,GFCI,HORIZONTAL,WEATHER....108  |
| CABLE,DWN INT LIMIT SWITCH.....123-124                     | CLAMP,MUFFLER,1.75 INCH.....101                  | COVER,GFCI,WEATHERPROOF.....151       |
| CABLE,FUNCTION MANIFOLD,GS69.....123-124                   | CLAMP,RUB CUSH,0.75,#12 X 3/8*.....89, 115, 117  | COVER,MUFFLER,DF-972.....73           |
| CABLE,OUTRIGGER,FRNT,GS69.....123-124                      | CLAMP,TAILOPIPE, 1 1/2***.....73, 83, 92, 101    | COVER,MUFFLER,FLANGE,DF-972.....73    |
| CABLE,OUTRIGGER,REAR,GS69.....123-124                      | CLAMP-HOSE, .375, FUEL PUMP.....85               | COVER,REAR AXLE.....65-66             |
| CABLE,PRESSURE SWITCH.....123-124                          | CLEAR SWITCH ACTUATOR.....153                    | COVER,RT PLATFORM CONTROLS***.....153 |
| CABLE,PROP. DOWN COIL 26/3369.....123-124                  | CLEAR SWITCH ACTUATOR(QTY 10).....153            | COVER,V-BELT,D1105,KUBOTA.....83      |
| CABLE,PROP. DOWN COIL 4069.....123-124                     | CLEVIS YOKE-1/4-28,PLTD W/PIN.....85, 91-92      | CYLINDER, LIFT, LOWER, GS69.....165   |
| CANISTER, CARBON, 1000CC.....107-108                       | CLIP, METAL MOUNTING.....71, 113                 | CYLINDER,LIFT,UPPER,4069.....165      |
| CAP ASSY, COOLANT BOTTLE.....79, 81, 89, 91-92             | COIL CORD CLIP.....143                           | CYLINDER,OSCILATING,GS69.....163      |
| CAP, SPARK PLUG.....79                                     | COIL, 12VDC,DIODE,DEUTSCH.....195                | CYLINDER,OUTRIGGER,GS69.....195       |
| CAP, TANK, FUEL SENSOR.....107-108, 111                    | COIL,10VDC #10 DTSCH NO DIODE.....157            | CYLINDER,STEER***.....61              |
| CAP, TUBE, SQ,1.25 X .083.....117                          | COIL,12V D03 ZENER DIODE.....159                 |                                       |
| CAP,DIAGNOSTIC NIPPLE.....157                              | COIL,12VDC #10DTSCH IP69 ECOIL.....159, 193      |                                       |
| CAP,DISENGAGE,OMNI***.....65-66                            | COIL,12VDC #8 DTSCH IP69 ECOIL.....157, 159, 165 |                                       |
| CAP,FUEL,DIESEL,SAE-J NECK.....107-108                     | COIL,SQUARE,12VDC***.....165                     |                                       |
| CAP,FUEL,GASOLINE 3.5PSI.....107-108                       | COLLAR, 7 BLADE FAN, D1105.....83                |                                       |
| CAP,HYDRAULIC TANK,GS68/84/90.....11, 107-108              | COMP. FLYWHEEL.....87                            |                                       |
| CAP,RADIATOR,13 PSI.....89                                 | COMP. WATER FLANGE.....89                        |                                       |
| CAP,RADIATOR,PERKINS(94232).....95                         | CONN, 1/2" BARBED, 3/8" FNPT.....107-108, 111    |                                       |
| CAP,RAIN,AIR CLEANER, GS68RT*.....75-76, 87, 97, 103       | CONN, 3/16" BARBED, 3/8" MNPT...107-108, 111     |                                       |
| CAP,SERIES 1 CB VALVE,SINGLE**.....163                     | CONN, 520120-6.....165, 167, 169, 197            |                                       |
| CAPACITOR 16 F, GEN.....179                                | CONN, 520120-8-6.....61, 171                     |                                       |
| CAPACITOR,1000UF,25V.....115                               | CONN, FFSS-MORB, 520181-12.....169               |                                       |
| CAPACITOR,4700MFD 25V.....115                              | CONN, LONG, ORFS-ORB, -16-16.....169             |                                       |
| CARBURATOR ASSY,DF-972.....75-76                           | CONN,520120-16.....169                           |                                       |
| CASTING, BALL, GS OUTRIGGER.....195                        | CONN,520120-4***.....65-66, 163, 169, 171, 197   |                                       |
| CASTING,CW,MID,4069.....69                                 | CONN,520120-4-6***.....61, 169, 171              |                                       |
| CASTING,CW,REAR,4069.....69                                | CONN,520120-6-8.....65-66, 197                   |                                       |
| CASTING,OUTRIGGER FOOTPAD ***.....195                      | CONN,520120-8***.....169, 171, 181, 197          |                                       |
| CATALYTIC MUFFLER,DF-972.....73                            | CONN,520120-8-12.....65-66, 169                  |                                       |
| CATALYTIC MUFFLER,GM .998L.....101                         | CONN,BR, 1/8" MNPT-3/16" HS.....107-108          |                                       |
| CHOKE LINKAGE GS68.....81                                  | CONN,LONG,520122-4.....181                       |                                       |
| CIRCUIT BREAKER, 15A.....115                               | CONN,RECEP 4 WAY ENDCAP DT.....179               |                                       |
| CIRCUIT BREAKER, 20A.....115                               | CONN,RECEP 48 WAY,4 X 12.....115                 |                                       |
| CLAMP, LWR. RAD. HOSE, WG972.....81                        | CONN,SQUEEZE,1/2NPT .38-.50,SM.....108, 151      |                                       |
| CLAMP, MUFFLER MOUNT, GM .998.....101                      | CONNECTOR,B,1/8 FPT 3/16 HS.....107-108          |                                       |
| CLAMP, UP. RAD. HOSE, WG972.....81                         | CONTACT, N.C.....115, 153                        |                                       |
| CLAMP,#4 HOSE,CLAMP.....189                                | CONTROL BOX,2KW,120/240V,50HZ.....179            |                                       |
| CLAMP,0.31,#5 X 1/4,RUB CUSH.....151, 177                  | CONTROLLER BOX, 120/240V, 60H.....179            |                                       |
| CLAMP,1.00,#16 X 1/4,RUB CUSH.....108                      | COOLANT RECOVERY BOTTLE1.5 QT*.....99            |                                       |
| CLAMP,1X#8 HOSE.....105                                    | COUPLER, SPLINED,9 TOOTH, 30MM.....75-76, 87     |                                       |
| CLAMP,2 HOSE,PLASTIC,5/8.....65-66, 127-128, 131, 135, 137 | COUPLER,1/4"SERIES 3/8 MPT.....199               |                                       |
| CLAMP,AIR CLEANER HOSE,WG750*.....75-76                    | COUPLER,HUB,9T A-A SPLN PERKIN.....95            |                                       |
| CLAMP,FUEL COMPONENTS,GM .998L.....107-108, 111            | COUPLER,HUB9TA-APLNSPERKINGDN.....95             |                                       |
| CLAMP,GENERATOR HOSE,GS69.....177                          | COVER ASSY,CNTRLS SIDE,LT,SY.....119             |                                       |
| CLAMP,HOSE.....83, 89                                      | COVER ASSY,CNTRLS SIDE,LT,WO.....119             |                                       |
| CLAMP,HOSE,.25" - .63" X .3125.....75-76, 91-92, 107-108   | COVER ASSY,CNTRLS SIDE,RT,SY.....119             |                                       |
| CLAMP,HOSE,.35"-.86" X .3125".....111                      | COVER ASSY,CNTRLS SIDE,RT,WO.....119             |                                       |
| CLAMP,HOSE,.63" - 1.0" X .5".....76, 111                   | COVER ASSY,ENGINE SIDE,LT,SY.....119             |                                       |
| CLAMP,HOSE,1 EAR, 5/8.....107-108                          | COVER ASSY,ENGINE SIDE,LT,WO.....119             |                                       |
| CLAMP,HOSE,1.00.....95                                     | COVER ASSY,ENGINE SIDE,RT,SY.....119             |                                       |
| CLAMP,HOSE,1.75.....87                                     | COVER ASSY,ENGINE SIDE,RT,WO.....119             |                                       |
| CLAMP,HOSE,2.00***.....75-76, 91-92, 97                    | COVER ASSY,ENGINESIDE,RT,SY.....119              |                                       |
| CLAMP,HOSE,2.50***.....75-76, 87, 97, 103                  | COVER, END, GEN, 120V.....179                    |                                       |
| CLAMP,HOSE,2X#4,GS69.....61                                |  |                                       |

## D

|  |
|--|
| DECAL KIT, 2669 COMP,WRD,ANSI.....13   |
| DECAL KIT, 2669 COMP,WRD,AUS.....13  |
| DECAL KIT, 2669 PLAT,WRD,ANSI.....13   |
| DECAL KIT, 2669 PLAT,WRD,AUS.....13  |
| DECAL KIT, 3369 COMP,WRD,ANSI.....29   |
| DECAL KIT, 3369 COMP,WRD,AUS.....29  |
| DECAL KIT, 3369 PLAT,WRD,ANSI.....29   |
| DECAL KIT, 3369 PLAT,WRD,AUS.....29  |
| DECAL KIT, 4069 COMP,WRD,ANSI.....45   |
| DECAL KIT, 4069 COMP,WRD,AUS.....45  |
| DECAL KIT, 4069 PLAT,WRD,ANSI.....45   |
| DECAL KIT, 4069 PLAT,WRD,AUS.....45  |
| DECAL KIT,2669 COMP,SYM,ANSI.....21  |
| DECAL KIT,2669 COMP,SYM,CE.....21  |
| DECAL KIT,2669 PLAT,SYM,ANSI.....21  |
| DECAL KIT,2669 PLAT,SYM,CE.....21  |
| DECAL KIT,3369 COMP,SYM,ANSI.....37  |
| DECAL KIT,3369 COMP,SYM,CE.....37  |
| DECAL KIT,3369 PLAT,SYM,ANSI.....37  |
| DECAL KIT,3369 PLAT,SYM,CE.....37  |
| DECAL KIT,4069 COMP,SYM,ANSI.....53  |
| DECAL KIT,4069 COMP,SYM,CE.....53  |
| DECAL KIT,4069 PLAT,SYM,ANSI.....53  |
| DECAL KIT,4069 PLAT,SYM,CE.....53  |
| DECAL NOTICE,MAN FRC,2669 AUS.....19   |
| DECAL, LABEL - DIRECTION ARROWS....17, 19, 25, 27, 33, 35, 41, 43, 49, 51, 57, 59                          |
| DECAL, LABEL, SAFETY ARM SYMB.....15, 23, 31, 39, 47, 55   |
| DECAL, POWER TO PLATFORM 230V**.....15, 17, 19, 23, 25, 27, 31, 33, 35, 39, 41, 43, 47, 49, 51, 55, 57, 59 |
| DECAL, SYMBOL - READ THE MANUAL...23, 25, 27, 39, 41, 43, 55, 57, 59                                       |
| DECAL,ANNUAL INSP***.....15, 31, 47  |
| DECAL,CAUTION,CRUSH HAZ, RAILS.....17, 19, 33, 35, 49, 51  |
| DECAL,CHEVRON RANDO HD.....15, 31, 47  |
| DECAL,COSMETIC,4 X 4.....13, 15, 21, 23, 29, 31, 37, 39, 45, 47, 53, 55                                    |
| DECAL,COSMETIC,GENIE GS-2669RT.....17, 19, 25, 27  |
| DECAL,COSMETIC,GENIE GS-3369RT.....33, 35, 41, 43  |
| DECAL,COSMETIC,GENIE GS-4069RT.....49, 51, 57, 59  |
| DECAL,CRUSH HAZ RAILS SYMB.....25, 27, 41, 43, 57, 59  |
| DECAL,DANGER DO NOT ALTER SWTC.....13, 29, 45  |

## Part Description Index (continued)

|  |   |  |
|--|---|--|
| DECAL,DANGER,BATTERY SAFETY***.....13, 29, 45  | DECAL,NOTICE,KUB,D1105,T4.....13, 29, 45  | ECM, SSI .79L / .97L.....97                    |
| DECAL,DANGER,CRUSHING HAZARD.....13, 15, 29, 31, 45, 47  | DECAL,NOTICE,KUBOTA GAS SPECS.....13, 29, 45  | ECU,GS69 IC, GEN 2.....115                     |
| DECAL,DANGER,ELEC HAZARD,GS.....13, 15, 29, 31, 45, 47   | DECAL,NOTICE,MAN FRC,3369 AUS.....35  | ELBOW,010202-6-4.....75-76                     |
| DECAL,DANGER,MAN FRC, GS2669.....27  | DECAL,NOTICE,MAN FRC,4069.....51  | ELBOW,45D,520320-16.....169                    |
| DECAL,DANGER,MAN FRC, GS3369.....43  | DECAL,NOTICE,MAX CAP GS2669.....17, 19, 25, 27  | ELBOW,90D,520220-16.....169                    |
| DECAL,DANGER,MAN FRC, GS4069.....59  | DECAL,NOTICE,MAX CAP GS3369.....35, 41, 43  | ELBOW,90D,520220-4-6***.....61, 169            |
| DECAL,DANGER,NO SMOKING.....15, 31, 47   | DECAL,NOTICE,MAX CAP GS4069.....49, 51, 57, 59  | ELBOW,90D,520220-6.....169, 171, 197           |
| DECAL,DANGER,OUTRIGGER SAFETY...17, 19, 33, 35, 49, 51   | DECAL,NOTICE,MAX CAP GS3369.....33  | ELBOW,90D,520220-8-10.....169                  |
| DECAL,DANGER,SIDE FRC,GS2669.....25  | DECAL,NOTICE,OP INST,GROUND.....15, 31, 47  | ELBOW,90D,520220-8-12.....169, 171, 181        |
| DECAL,DANGER,SIDE FRC,GS3369.....41  | DECAL,NOTICE,PERKINS 403D SPEC.....13, 29, 45   | ELBOW,90DEG.1/4 MPT-5/16 BARB.....107-108, 111 |
| DECAL,DANGER,SIDE FRC,GS4069.....57  | DECAL,NOTICE,SIDE FRC,2669 ANS.....17   | ELBOW,SWIVEL 90D, 520221-6.....197             |
| DECAL,DANGER,TIP-OVER,TILT.....17, 19, 33, 35, 49, 51  | DECAL,NOTICE,SIDE FRC,3369 ANS.....33   | ELEMENT,AIR CLEANER,KUBOTA.....11, 75-76       |
| DECAL,DANGER-GEN SAFETY.....15, 17, 19, 31, 33, 35, 47, 49, 51   | DECAL,NOTICE,SIDE FRC,4069 ANS.....49   | ENGINE KIT,PERKINS 403D, T41.....91-92         |
| DECAL,DANGER-USE SAFETY ARM.....13, 15, 29, 31, 45, 47   | DECAL,NOTICE,TIRE SPECS.....13, 15, 29, 31, 45, 47  | EXHAUST MANIFOLD, DF972.....73                 |
| DECAL,DIESEL.....15, 23, 31, 39, 47, 55  | DECAL,NOTICE,TIRE SPECS, REAR.....13, 15, 29, 31, 45, 47  | EXTRUSION,ALUM,V-ROLLER TRK.....147            |
| DECAL,EXPLOSION HAZARD.....13, 29, 45  | DECAL,PLAT CONTROL PANEL GS69.....17, 19, 25, 27, 33, 35, 41, 43, 49, 51, 57, 59, 153                   | EXTRUSION,RUBBER BUMPER STRIP..107-108         |
| DECAL,FORK LIFT POCKET.....13, 15, 29, 31, 45, 47  | DECAL,POWER TO PLATFORM 115V.....15, 17, 19, 23, 25, 27, 31, 33, 35, 39, 41, 43, 47, 49, 51, 55, 57, 59 |  |
| DECAL,GROUND CONTROL PANEL.....15, 23, 31, 39, 47, 55  | DECAL,SYM-TIP-OVER,LIM SWITCH.....21, 37, 53  |  |
| DECAL,LABEL, AIR LINE 110 PSI.....15, 17, 19, 23, 25, 27, 31, 33, 35, 39, 41, 43, 47, 49, 51, 55, 57, 59 | DECAL,SYM-TIP-OVER,OUTRGR.....25, 27, 41, 43, 57, 59  |  |
| DECAL,LABEL,105 DB.....21, 37, 53  | DECAL,SYM-TIP-OVER,TILT ALARM.....25, 27, 41, 43, 57, 59  |  |
| DECAL,LABEL,FORKLIFT POCKET.....21, 23, 37, 39, 53, 55   | DECAL,SYMBOL-BATTERY SAFETY.....21, 37, 53  |  |
| DECAL,LABEL,HOT,SYMBOL.....21, 37, 53  | DECAL,SYMBOL-COMP ACCESS.....21, 23, 37, 39, 53, 55   |  |
| DECAL,LABEL,LIFTING EYE.....13, 15, 21, 23, 29, 31, 37, 39, 45, 47, 53, 55                               | DECAL,SYMBOL-CRUSHING HAZARD.....21, 23, 37, 39, 53, 55   |  |
| DECAL,LABEL,LIQUID PROPANE.....13, 21, 29, 37, 45, 53  | DECAL,SYMBOL-ELEC HAZARD,GS.....21, 23, 37, 39, 53, 55  |  |
| DECAL,LABEL,MANUAL NOT HERE...17, 19, 33, 35, 49, 51   | DECAL,SYMBOL-FOOT CRUSHING.....21, 23, 37, 39, 53, 55   |  |
| DECAL,LABEL,NO SMOKING,SYMB...23, 39, 55   | DECAL,SYMBOL-SKIN INJECT HAZRD.....21, 23, 37, 39, 53, 55   |  |
| DECAL,LABEL,OUTRIGGER LD....13, 15, 21, 23, 29, 31, 37, 39, 45, 47, 53, 55                               | DECAL,SYMBOL-USE SAFETY ARM.....21, 23, 37, 39, 53, 55  |  |
| DECAL,LABEL,PATENTS.....15, 23, 31, 39, 47, 55   | DECAL,WARN,IMPROPER OPERATION...17, 19, 33, 35, 49, 51  |  |
| DECAL,LABEL,PLAT CONT LOCATION.....17, 19, 33, 35, 49, 51  | DECAL,WARN,SKIN INJECTION HAZ*.....13, 15, 29, 31, 45, 47   |  |
| DECAL,LABEL,TRANSPORT TIE 68.....13, 15, 21, 23, 29, 31, 37, 39, 45, 47, 53, 55                          | DECAL,WARNING,CRUSHING HAZARD...13, 15, 29, 31, 45, 47  |  |
| DECAL,LABEL,TRANSPORT TIEDOWN*..13, 15, 21, 23, 29, 31, 37, 39, 45, 47, 53, 55                           | DECAL,WARNING,HOT SURFACE.....13, 29, 45  |  |
| DECAL,LABEL,UNLEADED GAS ONLY.....15, 23, 31, 39, 47, 55   | DECAL,WARNING-COMPART ACCESS....13, 15, 29, 31, 45, 47  |  |
| DECAL,LABEL,WHEEL LD,GS2669RT.....13, 15, 21, 23   | DIAGNOSTIC FEMALE Q-DSCNT.....157   |  |
| DECAL,LABEL,WHEEL LD,GS3369RT.....29, 31, 37, 39   | DIODE, 3 AMP.....115  |  |
| DECAL,LABEL,WHEEL LD,GS4069RT.....45, 47, 53, 55   | DIP STICK, DF972.....75-76  |  |
| DECAL,LANYARD ANCHORAGE POINT...17, 19, 25, 27, 33, 35, 41, 43, 49, 51, 57, 59                           | DIPSTICK GUIDE,D-1105.....89  |  |
| DECAL,LOW/ULTRA LOW SULFR FUEL...15, 31, 47  | DIPSTICK TUBE,PERKINS 104-22**.....91-92  |  |
| DECAL,MACHINE REGISTRATION/OWNER TRANSFER.....15, 23, 31, 39, 47, 55                                     | DIPSTICK,D-1105.....89  |  |
| DECAL,NOTICE,GM .998L SPEC.....13, 29, 45  | DIPSTICK,STRAIGHT SHORT.....91-92   |  |
| DECAL,NOTICE,INST,PLAT-GS69RT.....17, 19, 33, 35, 49, 51   | DISPLAY,DIAGNOSTIC,J1939.....115  |  |

## E

E-COIL WASHER,#8,DUAL COIL.....157

## F

FAN.....95  
FAN - VENTED.....183  
FAN DRIVE PULLEY,KUBOTA.....83  
FAN PULLEY.....95  
FILTER ASSY,HIGH PRESS SAE-12\*.....105  
FILTER ASSY,SAE 12 NO INDICAT\*.....107-108  
FILTER ELEMENT, 10 MICRON.....107-108  
FILTER ELEMENT,10 MICRON.....107-108  
FILTER, FUEL.....11, 107-108, 111  
FILTER,AIR\*\*\*.....11, 92  
FILTER,AIR,D1105.....11, 87  
FILTER,ELEMENT,BETA(5)=1000.....11, 105  
FILTER,FUEL,IN-LINE\*\*.....11, 107-108  
FILTER,FUEL,PERKINS.....11, 91-92  
FILTER,FUEL/WATER SEPARATOR\*\*\*.....11, 85  
FILTER,OIL,KUBOTA.....11, 83  
FILTER/SEPARATOR,FUEL DIESEL\*\*.....85, 91-92  
FITTING,90DEG ELBOW.....75-76  
FITTING,CONN,520120-12\*\*\*...169, 171, 183, 185  
FITTING,ELBOW,90D,520220-6-8.....171  
FITTING,REDUCER,520123-12-8\*\*\*.....181  
FITTING,SAE J2044F X5/16 BARB.....111  
FLANGE,CARBURETOR,WG750B\*\*\*.....75-76  
FLASH DRIVE, GS69 IC SW.....124  
FLYWHEEL.....95  
FLYWHEEL, WG972.....75-76  
FOOTPAD ASSY,RTSC OUTRIGGER.....195  
FORM,O/R FRONT CLAMP,HI FLOAT.....189  
FORMING ENGINE TRAY STOP.....105  
FORMING, AIR CLNR MNT,PRK 403D P.....92  
FORMING, ENGINE HANDLE, D1105.....89  
FORMING, ENGINE MNT, LFT, D-11.....89  
FORMING, ENGINE MNT, LFT, KD.....89  
FORMING, ENGINE MNT, RT, D1105.....89  
FORMING, ENGINE MNT, RT, KD.....89  
FORMING, FUEL FILTER MOUNT, KD.....89  
FORMING, LATCH CATCH.....121  
FORMING, LINK GUARD, BACK, 26/33.....201  
FORMING, LINK GUARD, FRONT, 26/33...201  
FORMING, LINK GUARD, SIDE, 26/33.....201  
FORMING, PULL HANDLE.....81  
FORMING, PULL HANDLE, KD.....89  
FORMING, RAD SUPPORT, KD.....89  
FORMING, RADIATOR MOUNT,KD.....89

- FORMING, SAFETY ARM...127-128, 131, 135  
 FORMING,AIR CLEANER MT,DF-972.....75-76  
 FORMING,AIR CLNR SPRT,GM .998.....97  
 FORMING,BATTERY TIE DOWN.....103  
 FORMING,BEACON MOUNT.....173  
 FORMING,BELT GUARD,GM .998L.....97  
 FORMING,CAT SUPPORT,GM .998L.....101  
 FORMING,CHASSIS COVER.....69  
 FORMING,CHOKE SOL. MNT, KUB DF.....81  
 FORMING,CHOKE SOL.MOUNT,DF972.....81  
 FORMING,CLAMP,CHASSIS,FRONT.....65-66  
 FORMING,DOOR LATCH HANDLE,LT.....119  
 FORMING,DOOR LATCH HANDLE,RT.....119  
 FORMING,DOWN LIMIT SWITCH MNT...127-128, 133, 137  
 FORMING,DRIVE HOSE CLAMP MOUNT.....65-66  
 FORMING,ENG MNT LT,PD.....95  
 FORMING,ENG MNT LT,PRK 403D.....95  
 FORMING,ENG MNT RT,PD.....91-92  
 FORMING,ENG MNT RT,PRK 403D.....91-92  
 FORMING,ENGIE MOUNT,LT,DF-972.....81  
 FORMING,ENGIE MOUNT,LT,KUB DF.....81  
 FORMING,ENGINE MOUNT,RT,DF-972.....79  
 FORMING,ENGINE MOUNT,RT,KUB DF.....79  
 FORMING,EXT DECK CATCH.....147  
 FORMING,EXT DECK STOP,LEFT.....147  
 FORMING,EXT DECK STOP,RIGHT.....147  
 FORMING,FUEL COMPONENT,GM .998.....107-108, 111  
 FORMING,FUEL FILTER MNT,D-1105.....89  
 FORMING,FUEL FILTER MNT,KD.....89  
 FORMING,GAS DOOR.....119, 121  
 FORMING,GEN HOSE CLAMP MOUNT....177  
 FORMING,GENERATOR,GFCI,GS69.....108  
 FORMING,HIGH PRESS FILTER BRKT.....105  
 FORMING,LINK GUARD,SIDE,OPT,40.....201  
 FORMING,LINKGUARD,BOXTOP.....201  
 FORMING,LINKGUARD,END,40.....201  
 FORMING,LINKGUARD,SIDE,40.....201  
 FORMING,LNK GRD,SIDE,OPT,26/33.....201  
 FORMING,MID CW BRACKET.....69  
 FORMING,O/R FRONT CLAMP.....189  
 FORMING,O/R HOSE COVER.....191  
 FORMING,O/R LIM SWTCH BRACKET.....191  
 FORMING,OIL COOLER COVER,GS69.....183  
 FORMING,OSC.COVER,GS69.....63  
 FORMING,PLATFORM STOP,RIGHT.....147  
 FORMING,PLATFORM STOP,LEFT.....147  
 FORMING,PULL HANDLE,PERKINS.....91-92  
 FORMING,RAD.INTERFACE,D-1105.....103  
 FORMING,RAD.INTERFACE,DF-972.....103  
 FORMING,RAD.INTERFACE,KD,PD.....103  
 FORMING,RAD.INTERFACE,KUB DF.....103  
 FORMING,RAD.MOUNT,D972.....81  
 FORMING,RAD.MOUNT,KUB DF.....81  
 FORMING,RAD.SHROUD,PERKINS.....91-92  
 FORMING,RADIATOR MOUNT,D1105.....89  
 FORMING,RADIATOR SHROUD,403D.....91-92  
 FORMING,RADIATOR SHROUD,PD.....91-92  
 FORMING,RDTR INTERFACE,GM.998L.....99, 103  
 FORMING,RDTR SHROUD,GM .998L.....99  
 FORMING,REAR DRIVE HOSE CLAMP....65-66  
 FORMING,SOLENOID MNT,D-1105.....85  
 FORMING,SOLENOID MNT,KD.....85  
 FORMING,SOLENOID MNT,PD.....91-92  
 FORMING,SOLENOID MNT,PRK,403D.....91-92  
 FORMING,TAIPIPE SPRT,GM .998.....101  
 FORMING,TRACT MAN MOUNT,LEFT.....113  
 FORMING,TRACT MAN MOUNT,RIGHT.....113  
 FORMING,TRACTION MANIFOLD BASE..113  
 FORMING,UPPER RAD.SUPPORT.....91-92  
 FORMING,VAPORIZER MT,KUB DF.....75-76  
 FREEZE PLUG HEATER,Z34IC/BE.....187  
 FUEL FILTER ASSEMBLY.....91-92  
 FUEL INJECTOR.....91-92  
 FUEL PUMP, MECHANICAL.....85  
 FUSE BLOCK, ANN & ANL FUSE.....108  
 FUSE HOLDER,ATC 3-30 AMPS.....115, 124, 183  
 FUSE,13 AMP,220V PLUG.....151  
 FUSE,20 AMP,ATC.....183  
 FUSE,5 AMP,ATC.....115, 124
- ### G
- GASKET (52532) OIL DRAIN, D905.....83  
 GASKET, EXH. MANIFOLD, WG972.....73  
 GASKET, FUEL LEVEL GAUGE, GAS.....107-108  
 GASKET, TANK, FUEL SENSOR.....107-108, 111  
 GASKET, UK & DIN PWR. TO PLAT.....108, 151  
 GASKET, UK RECEPTACLE.....151  
 GASKET, VALVE COVER, WG972.....73  
 GASKET, WATER INLET .998L.....11  
 GASKET,AIR CLEANER, DF-750.....75-76  
 G A S K E T, C A R B U R E T O R, K U B O T A DF750.....75-76  
 GASKET,EXH FLANGE-FORD/PERKINS.....95  
 GASKET,EXHAUST MANIFOLD,D905.....83  
 GASKET,INJECTION PUMP.....85  
 GASKET,MUFFLER,KUBOTA D905/11.....73, 83  
 GASKET,SOLENOID,KUBOTA.....85  
 GASKET,SPEED CONTROL ASSY,D905.....85  
 GASKET,THERMOSTAT-28091.....73, 83  
 GASKET,VALVE COVER CAP, D905.....83  
 GASKET,VALVE COVER CAP, WG750.....85  
 GASKET,VALVE COVER,KUBOTA D905.....83  
 GASKET,WATER PUMP.....83  
 GASKET,WATER PUMPWG750B/Z482-E.....73  
 GASKET-EXHAUST MANIFOLD/PERKIN.....95  
 GAUGE,FUEL,GS69.....107-108  
 GAUGE,HYDRAULIC TANK T/L VL.....107-108  
 GENERATOR,3kW,120V/60Hz.....179  
 GENERATOR,3kW,240V/50Hz.....179  
 GLOW PLUGS.....91-92  
 GREASE,DIELECTRIC 4 OZ\*\*.....11  
 GROMMET,RUBBER 1.5 ID.....189  
 GROMMET,RUBBER,1.75 ID.....65-66  
 GSKT, PLUENGINEOIL,D1105 BTM.....83  
 GUARD-FAN,905,752 KUBOTA ENG.....81
- ### H
- HANDLE COVER,PLASTIC.....113  
 HANDLE, ENGINE TRAY, GM .998L.....99  
 HARDWARE KIT, BELLHSNG KUBOTA.....87  
 HARDWARE KIT,BELLHSNG 403C-11.....95  
 HARDWARE KIT,BELLHSNG GRDN.....95  
 HARNESS, ENGINE, DUAL FUEL.....123-124  
 HARNESS, BATTERY, J5.....123-124  
 HARNESS, BI-FUEL .998L.....123-124  
 HARNESS, ENGINE, GS69 DUAL FUEL.....123-124  
 HARNESS, ENGINE, PERKINS.....123-124  
 HARNESS, IGNITION MODULE.....79  
 HARNESS, J9, GS69IC.....123-124  
 HARNESS, LED BEACON, GS69.....123-124  
 HARNESS, LINKS, GS69IC.....123-124  
 HARNESS, OR HARNESS, J11.....123-124  
 HARNESS, PROP, DOWN, GS69.....123-124  
 HARNESS, UP LIMIT SWITCH.....123-124  
 HARNESS,BATTERY.....123-124  
 HARNESS,BEACON,GS69.....123-124, 173  
 HARNESS,DOWN COIL.....123-124  
 H A R N E S S, D O W N L I M I T S E N S O R,GS69.....123-124  
 HARNESS,ENGINE,DIESEL.....123-124  
 HARNESS,ENGINE,IC.....123-124  
 HARNESS,FUEL PUMP,DUAL FUEL.....123-124  
 HARNESS,GENERATOR,GS69.....123-124  
 HARNESS,GS2669 WORKLIGHTS.....203  
 HARNESS,GS3369 WORKLIGHTS.....203  
 HARNESS,GS4069 WORKLIGHTS.....203  
 HARNESS,LEVEL SENSOR,GS69.....123-124  
 HARNESS,LINKS,J8.....123-124  
 HARNESS,MORAY,RT.....124  
 HARNESS,O/R MNFLD,GS69.....123-124  
 HARNESS,OIL COOLER,GS69.....123-124  
 HARNESS,OPTIONS,J10,GS69.....123-124  
 HARNESS,OSC LIMIT SWITCH 2.....123-124  
 HARNESS,OSC SWITCH REAR.....123-124  
 HARNESS,OSC.MNFLD,GS69.....123-124  
 HARNESS,OSCILLATE,J12,GS69.....123-124  
 HARNESS,OUTRIGGER,J1,GS69.....123-124  
 HARNESS,OUTRIGGERS,FRNT,GS69.....123-124  
 HARNESS,OUTRIGGERS,REAR,GS69...123-124  
 HARNESS,PRESS.SWITCH.....123-124  
 HARNESS,PRESSURE SWITCH.....123-124  
 HARNESS,UP LIMIT SWITCH.....123-124  
 HEAT SHIELD,DF972 EXHAUST MAN.....73  
 HEAT SHIELD,EXH MAN,DF-972.....73  
 HEAT SHIELD,TAIPIPE,GM .998L.....101  
 HINGE, GSRT90 BOX.....119, 121, 147  
 HINGE, SPRING, LONG LEG.....145  
 HOOK,BATT HOLD DOWN,10".....103  
 HORN,24VDC,SPADE TERMINALS\*\*\*.....71  
 HOSE ASSEMBLY,LP GAS-112" LONG.....75-76  
 HOSE ASSEMBLY,PROPANE,132".....117  
 HOSE ASSY, 3/8",21.00.....81  
 HOSE ASSY, CD(LR.MTR)-CD(TEE).....171  
 HOSE ASSY, CD(TEE)-CD(TANK).....169, 171  
 HOSE ASSY, HYD, 90D,90D,PERP.....169  
 HOSE ASSY, HYD, 90D,90D,PRLL.....169  
 HOSE ASSY, M1(T.MF)-B(RR.MTR).....171  
 HOSE ASSY, M2(T.MF)-A(RR.MTR).....171  
 HOSE ASSY, M4(T.MF)-B(LR.MTR).....171  
 HOSE ASSY, M6(T.MF)-B(LF.MTR).....171  
 HOSE ASSY, M7(T.MF)-B(RF.MTR).....171  
 HOSE ASSY, M8(T.MF)-A(RF.MTR).....171  
 HOSE ASSY,2SP(TEE)-2SP(LR.MTR).....171  
 HOSE ASSY,2SP(TEE)-2SP(RR.MTR).....171  
 HOSE ASSY,2SPD(T.MF)-2SPD(TEE).....171  
 HOSE ASSY,BRK(T.MF)-BRK(TEE).....171  
 HOSE ASSY,BRK(TEE)-BRK(LR.MTR).....171  
 HOSE ASSY,BRK(TEE)-BRK(RR.MTR).....171  
 HOSE ASSY,CD(GEN)-CD(TANK).....181

## Part Description Index (continued)

- HOSE ASSY,CD(RR.MTR)-CD(TEE).....171  
 HOSE ASSY,EF(OR.MF)-LF.OR.TEE.....197  
 HOSE ASSY,ER(OR.MF)-LR.OR.TEE.....197  
 HOSE ASSY,F(GEN)-P-IN(F.MF).....181  
 HOSE ASSY,FR(OR.MF)-RF.OR.TEE.....197  
 HOSE ASSY,HP FILTER-P-IN(F.MF).....169  
 HOSE ASSY,HPFILTER-P(GEN).....181  
 HOSE ASSY,LF.OR.TEE-E(LF.OR.CY).....197  
 HOSE ASSY,LF.OR.TEE-E(RF.OR.CY).....197  
 HOSE ASSY,LIFT(F.MF)-P(TEE).....169  
 HOSE ASSY,LR.OR.TEE-E(LR.OR.CY).....197  
 HOSE ASSY,LR.OR.TEE-E(RR.OR.CY).....197  
 HOSE ASSY,M3(T.MF)-A(LR.MTR).....171  
 HOSE ASSY,M5(T.MF)-A(LF.MTR).....171  
 HOSE ASSY,OR(F.MF)-IN(OR.MF).....197  
 HOSE ASSY,OR(F.MF)-IN(OR.MF).....197  
 HOSE ASSY,OSC(F.MF)-OSC(TEE).....169  
 HOSE ASSY,OSC(TEE)-E(L.OSC.CYL).....169  
 HOSE ASSY,OSC(TEE)-E(R.OSC.CYL).....169  
 HOSE ASSY,OSC(TEE)-R(L.OSC.CYL).....169  
 HOSE ASSY,OSC(TEE)-R(R.OSC.CYL).....169  
 HOSE ASSY,OSCR(F.MF)-OSC(TEE).....169  
 HOSE ASSY,OUT(OC)-TANK.....185  
 HOSE ASSY,OUT(PUMP)-HP FILTER.....87, 169  
 HOSE ASSY,PRESS(TEE)-PRESS(LLC).....169  
 HOSE ASSY,PRESS(TEE)-PRESS(ULC).....167  
 HOSE ASSY,RET(LLCYL)-RET(TEE).....169  
 HOSE ASSY,RET(TEE)-TANK.....169  
 HOSE ASSY,RET(ULCYL)-RET(TEE).....167  
 HOSE ASSY,RF.OR.TEE-R(LF.OR.CY).....197  
 HOSE ASSY,RF.OR.TEE-R(RF.OR.CY).....197  
 HOSE ASSY,RR(OR.MF)-RR.OR.TEE.....197  
 HOSE ASSY,RR.OR.TEE-R(LR.OR.CY).....197  
 HOSE ASSY,RR.OR.TEE-R(RR.OR.CY).....197  
 HOSE ASSY,S1(F.MF)-B(STRCYL).....169  
 HOSE ASSY,S2(F.MF)-R(STRCYL).....169  
 HOSE ASSY,SUCT(TANK)-IN(PUMP).....87, 169  
 HOSE ASSY,T(GEN)-T.OUT(F.MF).....181  
 HOSE ASSY,T(OR.MF)-TANK.....197  
 HOSE ASSY,T.OUT(F.MF)-IN(OC).....185  
 HOSE ASSY,T.OUT(F.MF)-TANK.....169  
 HOSE ASSY,T.OUT(T.MF)-T.IN(F.M).....169, 171  
 HOSE ASSY,P.OUT(F.MF)-P.IN(T.MF).....169, 171  
 HOSE END,BARBED,RIGID,-6-6.....199  
 HOSE END,FEMSW,90D,ORFS,-12-12.....183  
 HOSE LPG 1/2" ID X 11.25" LG.....75-76  
 HOSE, AIR, 1.75"ID X 2.5"LG.....97  
 HOSE, FUEL 3/16", 100"LG.....75-76, 111  
 HOSE, FUEL 3/16", 5"LG.....75-76  
 HOSE, FUEL 5/16",2"LG.....91-92  
 HOSE, FUEL 5/16",89"LG.....91-92  
 HOSE, FUEL FILTER -INJ., 403D.....91-92  
 HOSE, FUEL LO-PERM 5/16", 4"LG.....75-76, 107-108  
 HOSE, FUEL LO-PERM 5/16", 7"LG.....75-76, 107-108  
 HOSE, FUEL LO-PERM 5/16",88"LG.....75-76  
 HOSE, FUEL PUMP TO FILTER, 403D.....91-92  
 HOSE, FUEL PUMP TO INJ, D1105.....85  
 HOSE, FUEL, 1/2" ID, 10.00" LG.....111  
 HOSE, FUEL, 1/4" ID, 16.00" LG.....111  
 HOSE, INLET, DF972.....75-76  
 HOSE, LWR, WATER PUMP, WG972.....73  
 HOSE, UP, WATER PUMP, WG972.....73  
 HOSE, 1.75ID,2.50IDX12.0".....75-76, 87, 97  
 HOSE,1/8" VACUUM.....75-76  
 HOSE,5/16 FUEL,SAE 30R7.....85  
 HOSE,5/16",FUEL,EPA,FI.....111  
 HOSE,AIR INTAKE,PERKINS.....91-92  
 HOSE,FUEL,3/16,SAE 30R7.....85, 91-92  
 HOSE,FUEL,5/16 HIGH PRESSURE\*\*.....91-92  
 HOSE,FUEL,5/16" DIA,EPA,2"LG.....107-108  
 HOSE,LOW PRESSURE,375 ID,BLK.....75-76, 199  
 HOSE,LOWER RADIATOR,DF752.....83  
 HOSE,RAD.OVERFLOW,KD-1105,50".....79, 81, 89, 91-92  
 HOSE,RADIATOR,LOWER,D905.....89  
 HOSE,RADIATOR,LOWER,PERKINS.....95  
 HOSE,RADIATOR,UPPER PERKINS.....95  
 HOSE,UPPR RADIATOR,KUBOTA D905.....89  
 HOSE,WATER PUMP RETURN,D905.....83  
 HOUR METER,10-80 VOLTS\*\*\*.....115  
 HOUSING ASSY,OUTRIGGER,SY.....191  
 HOUSING ASSY,OUTRIGGER,WO.....191  
 HOUSING,COUPLER,A PILOT,PERKIN.....95  
 HOUSING,CPLR,APILOT,PERKIN,GRD.....95  
 HOUSING,RT PLATFORM CONTROLS\*\*.....153  
 HRDWKIT,BELLHSING,KD-1105,GRDN.....87  
 HRDWKIT,BELLHSING,WG972,GRDN.....75-76
- I**
- IGNITION MODULE, DF972.....79  
 INJECTOR,FUEL,D905\*\*.....85  
 INNER OIL FILTER.....83  
 INSTRN, TRC RETROFIT, STNDRD.....123-124  
 ISOLATOR, VIBRATION.....89, 95  
 ISOLATOR,ENGINE,CNTR-BOND,50D.....79, 95, 99  
 ISOLATOR,FLEX-BOLT SANDWICH\*\*\*.....105  
 ISOLATOR,VIBRATION,M8 MALE/FEM.....91-92
- J**
- JET KIT,KUB,WG972,CARB,1000M.....75-76  
 JET KIT,KUB,WG972,CARB,2000M.....75-76  
 JOINT PIPE, WG972.....73  
 JOINT-PIPE.....73  
 JOYSTICK HANDLE SET, COMPLETE.....155  
 JOYSTICK,SINGL AXIS,HALL,SLAB\*.....155  
 JOYSTICK,SINGL AXIS,POT,SLAB.....155  
 JUMPER-GLOW PLUG.....85
- K**
- KEY SINGLE\*\*\*.....115  
 KEYS,10 PACK\*\*\*.....115  
 KEYSWITCH,3 POS W/KEYS,LOCKING.....115  
 KEYSWITCH,3 POS. W/KEYS\*\*\*.....115  
 KIT, AIR INTAKE HOSE, PERKINS, RT69.....91-92  
 KIT, ELECTRICAL .998L.....11  
 KIT, EXHAUST .998L.....11  
 KIT, HI FLOAT TIRE,O/R SPACER.....189  
 KIT, OIL COOLER, GS69RT.....183  
 KIT, PLAT CTRL GUARD RT.....153  
 KIT, PLATFORM PC RECEPT/SOC.....155  
 KIT, RADIATOR, .998L.....99  
 KIT, SEAL.....157, 159, 161  
 KIT, STARTER .998L.....11
- KIT, TRC RETROFIT, STNDRD.....123-124  
 KIT, VAPORIZER .998L.....11  
 KIT,BEACON RESISTOR,GS69.....115  
 KIT,BUBBLE LEVEL UPDATE.....191  
 KIT,GASKET,UK POWER TO PLAT.....151  
 KIT,GEN 5 COIL CORD.....153  
 KIT,HOUSING,COUPLER,APILOT,GDN.....87  
 KIT,JOYSTICK ENABLE SWITCH.....155  
 KIT,KUBWG972 FUEL HOSE RPCMT.....107-108  
 KIT,OUTRIGGER PAD LOCTITE,RT.....195  
 KIT,STRAINER REPLACEMENT.....169  
 KUBOTA FUEL PUMP GASKET.....85  
 KUBOTA GLOW PLUG.....85  
 KUBOTA HOSE,D905, D1105.....83  
 KUBOTA INJECTOR PUMP, D1105.....85  
 KUBOTA OIL FILLER PLUG,V1305.....83  
 KUBOTA OIL FILTER.....11, 73
- L**
- L.P.TANK LATCH.....117  
 LADDER ASSY,2669&3369.....69  
 LADDER ASSY,GS4069.....69  
 LATCH, LRG PADDLE HANDLE GS90.....121  
 LATCH,BATT/HYDR TRAY\*\*\*.....119  
 LENS,FLASHING BEACON.....173  
 LEVEL SENSOR,LS60,BLUE,2X3\*\*.....108  
 LEVEL,BUBBLE,2 DEGREE \*.....191  
 LEVEL,BUBBLE,3 DEG,BOSS.....191  
 LEVER,GOVERNOR,DF\*\*\*.....79  
 LIFT PUMP (FUEL).....91-92  
 LIGHT,TURN SIGNAL,1.25" LED,AMB.....175  
 LIMIT SWITCH, DOWN, ASSY, GS69.....123-124  
 LINING KIT,BRAKE,OMNI\*\*\*.....65-66  
 LOWER CONTROL PANEL ASSY,GS69.....115  
 LUG BOLT,45 DEG,1/2-20 UNF.....61
- M**
- MAIN PLAT DECK ASSY,2669,SY,ANSI.....139  
 MAIN PLAT DECK ASSY,2669,SY,CE.....139  
 MAIN PLAT DECK ASSY,2669,WO,ANSI.....139  
 MAIN PLAT DECK ASSY,2669,WO,AUS.....139  
 MAIN PLAT DECK ASSY,3369,SY,ANSI.....141  
 MAIN PLAT DECK ASSY,3369,SY,CE.....141  
 MAIN PLAT DECK ASSY,3369,WO,ANSI.....141  
 MAIN PLAT DECK ASSY,3369,WO,AUS.....141  
 MAIN PLAT DECK ASSY,4069,SY,ANSI.....141  
 MAIN PLAT DECK ASSY,4069,SY,CE.....141  
 MAIN PLAT DECK ASSY,4069,WO,ANSI.....141  
 MAIN PLAT DECK ASSY,4069,WO,AUS.....141  
 MAIN PLAT RAIL ASSY,LT.....143  
 MAIN PLAT RAIL ASSY,RT.....143  
 MANIFOLD ASSEMBLY, GEN.....179  
 MANIFOLD HANDLE,GS69.....113  
 MANIFOLD, EXHAUST, KUBOTA.....83  
 MANIFOLD, INLET.....83, 87  
 MANIFOLD,EXHAUST (101325).....95  
 MANIFOLD,OUTRIGGER,GS69.....193  
 MANUAL BOX W/DECALS\*\*\*.....147  
 MANUAL,AEM SAFETY.....11  
 MANUAL,OPER,KUBOTA DIESEL\*\*\*\*.....11  
 MANUAL,OPERATORS,PERKINS,403D.....11  
 MANUAL,RESPON,A92.5 BOOM.....11  
 MANUAL,WORKSHOP,D1105.....11  
 MANUAL,WORKSHOP,PERKINS,403D.....11  
 MOTOR,22.8 CI/REV,GEROTOR.....61  
 MOTOR,PISTON,LC25,6.5 DEG,13T.....65-66

MOUNT, RADIATOR, D1105.....89  
 MUFFLER ASSEMBLY.....83  
 MUFFLER,RND,TYPE 5,4.57 DIAX.....92

**N**

NICKEL PLATED JAM NUT.....115  
 NIPPLE,DIAGNOSTIC,#4....157, 161, 169, 171  
 NUT - PLASTIC,RING FOR ALARMS.....153  
 NUT, EXH. MAN., WG972.....73  
 NUT, FAN COVER, D1105.....89  
 NUT, LP NYLOCK, 3/8-16.....65-66, 71, 105,  
 113, 117, 147  
 NUT, RADIATOR 8MM, WG972.....81  
 NUT,ACORN 3/8-16 PLATED.....201  
 NUT,CASTLE,1.125-18 UNEF.....61  
 NUT,COIL (39909).....165  
 NUT,EXHAUST MANIFOLD.....83  
 NUT,FLG-LRG,3/8-16,YZ.....147  
 NUT,HEX,1/4-28.....81  
 NUT,HEX,FLG,3/8-16.....105  
 NUT,LOCKING-LG.FLANGE, 1/2-13.....66  
 NUT,LOCKING-LG.FLANGE,5/16-18.....75-76,  
 89, 95  
 NUT,LP NYLOCK,1/4-20...119, 127-128, 131,  
 135, 137, 145, 147, 149, 153  
 NUT,LP NYLOCK,10-32.....79, 121  
 NUT,LP NYLOCK,5/16-18.....83  
 NUT,LP NYLOCK,5/8-11.....143, 191  
 NUT,LUG,5/8-18 X 90 DEGREE,Z45.....65-66  
 NUT,NYLOCK,1/2-13...61, 69, 79, 95, 99, 103,  
 105, 108, 113, 117, 127-128, 133, 137, 139,  
 177, 189  
 NUT,NYLOCK,1/4-20.....65-66, 73, 75-76, 79,  
 81, 85, 91-92, 97, 99, 101, 103, 108, 115, 121,  
 143, 145, 147, 151, 173, 183, 191  
 NUT,NYLOCK,10-24.....66  
 NUT,NYLOCK,10-32.....89, 108, 115, 173, 191  
 NUT,NYLOCK,3/4-10,GRD.2.....189  
 NUT,NYLOCK,3/8-16.....63, 66, 69, 71, 79, 81,  
 89, 97, 99, 101, 103, 105, 107-108, 111, 113,  
 119, 121, 127-128, 131, 133, 135, 137, 141,  
 143, 145, 147, 149, 177, 183, 191, 195, 199,  
 201  
 NUT,NYLOCK,5/16-18.....85, 89, 97, 108, 119,  
 147, 177  
 NUT,NYLOCK,8-32.....66, 71, 127-128, 133,  
 137, 191  
 NUT,SERRATED,10-32,SS.....191  
 NUT,SOLENOID VALVE,OUTRIGGERS.....195  
 NUT,TAILPIPE,KUBOTA, 2668.....79  
 NUT,TL FLG,1/4-20,G,ZAG.....175  
 NUT,TL FLG,M10-1.5,DIN6927,10,ZAB.....101  
 NUT,VALVE COVER CAP, D905.....83  
 NUT-COIL SHORT.....157, 159, 193  
 NUT-COIL,REXROTH DO3 VALVE.....159  
 NUT-SELF LOCKING, M8X1.25MM.....73, 75-  
 76  
 NUTS,EXHAUST.....95

**O**

O-RING KIT (ORFS FITTINGS).....157  
 O-RING,2-010,VITON.....65-66  
 O-RING,2-157,VITON\*\*\*.....65-66  
 O-RING,67.95X2.62-NBR-70SH(HF2P)(60334).105  
 O-RING,END COVER,OMNI\*\*\*.....65-66  
 O-RING,OIL FILLER PLUG,KUBOTA\*.....83  
 O-RING,PIPE PLUG KIT,OMNI\*\*\*.....65-66  
 O-RING-4.....163

OIL COOLER W/FAN, 12VDC.....183  
 OIL FILTER - PERKINS.....11, 91-92  
 OIL FILTER, GM .998L.....99  
 OIL PAN.....83  
 OPERATORS MANUAL, WG972-E2.....11  
 ORIFICE PLUG, 0.035.....161  
 ORIFICE PLUG, 0.060.....159  
 ORIFICE PLUG,030,1/16-27 NPT.....161  
 ORIFICE,LONG, .037\*\*\*.....165  
 ORIFICE,LONG, .046.....165  
 ORIFICE,LONG, .086".....165  
 ORIFICE,LONG,.076".....165  
 ORING, OIL FILLER PLUG, WG972.....73  
 OUTLET, 110V.....108, 151

**P**

PAD,SENSE AXLE REST.....66  
 PAINT, AEROSOL, TRAFFIC BLACK.....11  
 PAINT,AEROSOL,BRIGHT BLUE\*\*\*.....11  
 PAINT,AEROSOL,GENIE GRAY\*\*\*.....11  
 PAINT,WET,GENIE BLUE (1 GL)\*\*.....11  
 PAINT,WET,GENIE GRAY (1 GL)\*\*.....11  
 PAINT,WET,TRAFFIC BLACK (1 GL)\*\*.....11  
 PCB,RT PLATFORM CONTROLS\*\*\*.....153  
 Perkins 404D-22T Engine Spec Decal.....81  
 PETCOCK, DRAIN, WG972.....75-76  
 PETCOCK,DRAIN,KUBOTA WG750B.....83  
 PILOT CHECK VALVE.....195  
 PIN, CYLINDER, LONG.....127-128, 133, 137  
 PIN, SHOULDER, 5/8-11 X 1.77.....143  
 PIN, WIRE LOCK 3/8 X 2 -1/2.....143, 145, 147  
 PIN,1.00DIAX5.27LG,1HOLE.....63, 105  
 PIN,1.25 DIA X 5.00 LG,1 HOLE.....127-128,  
 133, 137  
 PIN,1.50 DIA X 2.75 LG,1 HOLE.....127-128,  
 133, 137  
 PIN,CENTER LINK,GS69.....127-128, 131, 135  
 PIN,CLEVIS,1 X 2.5 LG.....61  
 PIN,END LINK,GS69.....127-128, 131, 135  
 PIN,OSC PIVOT.....66  
 PIN,UPPER CYLINDER.....137  
 PIPE ASSY-OVERFLOW-D905.....85  
 PIPE PLUG KIT,OMNI\*\*\*.....65-66  
 PIPE, BREATHER JOINT, WG972.....73, 75-  
 76  
 PIPE,INJECTOR 1, 403C-11.....91-92  
 PIPE,INJECTOR 1,D905,D1105.....85  
 PIPE,INJECTOR 2, 403C-11.....91-92  
 PIPE,INJECTOR 2,D905,D1105.....85  
 PIPE,INJECTOR 3, 403C-11.....91-92  
 PIPE,INJECTOR 3,D905,D1105.....85  
 PIPE,INLET, D905.....87  
 PLAT CONTROL BOX, GS69 GEN 2.....153  
 PLAT EXT DECK RAIL ASSY,END,SY.....147  
 PLAT EXT DECK RAIL ASSY,END,WO.....147  
 PLAT SIDE EXT RAIL ASSY,LT.....147  
 PLAT SIDE EXT RAIL ASSY,RT.....147  
 PLATE, CASTLE NUT LOCK.....61  
 PLATE, CYL UP LIMIT.....195  
 PLATE, O/R MOUNT, HI FLOAT.....189  
 PLATE, RAIN HAT COVER, GS69.....103  
 PLATE, SPACER, HOUR METER.....115  
 PLATE,AC ADAPTER,DIN/UK\*\*\*.....108, 151  
 PLATE,BACKING,LINKS...127-128, 131, 135,  
 137  
 PLATE,BUBBLE LEVEL MOUNT.....191  
 PLATE,GLOWPLUG,RELAY MT,D1105.....89  
 PLATE,GLWPLUG,RELAY MT,KD.....89  
 PLATE,GS69 DECK.....143, 147

PLATE,HOSE ROUTG,BULKHEAD(PTD)...65-  
 66  
 PLATE,HYD TANK FILLER COVER....119, 121  
 PLATE,LIMIT SWITCH,LS.....71  
 PLATE,O/R SPACER, HI FLOAT.....189  
 PLATE,OUTRIGGER MOUNT.....189  
 PLATE,REAR CW BRACKET.....69  
 PLATE,SENSE AXLE SWITCH.....66  
 PLATE,UK POWER TO PLATFORM.....151  
 PLATE,UP L.S. MOUNT.....71  
 PLATE,UPR CYL,PIN RETAINR 4069.....137  
 PLATE,VISUAL IND LIGHT MOUNT,BLK....175  
 PLUG AND CAP KIT-SERVICE,ORFS\*.....11,  
 157  
 PLUG PLUGENGINEOIL,D1105 BTM.....83  
 PLUG, AUSTRALIAN.....151  
 PLUG, ENGINE OIL, D1105.....83  
 PLUG, PORT SAE #8 HEX SOCKET.....157  
 PLUG, PORT SAE#4 HX SOCK.....157, 159,  
 161  
 PLUG, PORT SAE#6 HX SOCK.....157, 161  
 PLUG, TYPE F, 230A, 50HZ, 16A, IP44.....151  
 PLUG,1/4"SERIES,3/8 MPT.....199  
 PLUG,ALARM BEACON HOLE.....121  
 PLUG,ELECTRICAL,DOMESTIC.....151  
 PLUG,ENGINE OIL DRAIN,D-905\*\*\*.....83  
 PLUG,FUSED,250V,13AMP,U.K.\*.....151  
 PLUG,HEX SOCKET,090109B-4.....163  
 PLUG,HEX,090109A-8\*\*\*.....169  
 PLUG,HOLLOW HEX 3/8" NPT.....101  
 PLUG,NYLON .50 BLACK DOMED.....119, 121  
 PLUG,OIL FILLER Z482,Z34/22BE\*.....73  
 PLUG,PWR,UK,16AMP,3PIN,BLK.....151  
 PLUG,TUBE,SQ 1.50X.065.....143, 145, 147  
 P R O G R A M M I N G  
 CABLE,DELTA TECH\*\*.....123-124  
 PULLEY,FAN,KUBOTA, D-905,GS68.....83  
 PULLEY,FAN,WG750B\*\*\*.....73  
 PUMP, FUEL, GM .998L.....11, 107-108, 111  
 PUMP, GEAR, 16CC/REV.....76, 87, 95, 101  
 PUMP,FUEL,KUBOTA GAS,INLINE.....107-108  
 PUMP,PRIMER,PERKINS\*\*\*.....91-92  
 PUMP,WATER.....95  
 PUSH RETAINER, 3/8" SCREW...65-66, 103,  
 113

**R**

RAD. FAN,5-BLADE,DF-972.....73  
 RAD. FAN,7-BLADE,D-1105.....83  
 RADIATOR.....95  
 RADIATOR ASSY, DF972.....81  
 RADIATOR ASSY,ALUM,D-905.....89  
 RADIATOR CAP, DF972.....81  
 RADIATOR HOSE, LOWER, DF972.....81  
 RADIATOR HOSE, UPPER, DF972.....81  
 RAIL SPACER, GS90.....143  
 RECEPACLE, DIN, 220V 50A.....108, 151  
 RECEPACLE,UK,110V.....151  
 REDUCER,520123-12-6.....169  
 REF. WELDMENT,ENGINE SWING  
 TRAY,GS69.....99  
 Ref: BRACKET, AIR CLEANER.....79  
 Ref: Engine Box Components.....11  
 Ref: Engine mount,RT.....81  
 Ref: Engine Swing Tray Weldment.....79, 89,  
 91-92  
 Ref: FORMING,AIR CLEANER MT,DF-972...79  
 Ref: Hydraulic Box Components.....11  
 REGULATOR, FLOW 2GPM.....157

## Part Description Index (continued)

|   |   |   |
|---|---|---|
| REGULATOR, FLOW, 25GPM.....157              | SCREW,HHC,3/8-16 X 3.5,GR5.....89                     | SEAL, RUBBER STRAIGHT BULB, 15.....81, 103                                |
| REGULATOR, FLOW, 6GPM.....157               | SCREW,HHC,5/16-18 X .75.....97                        | SEAL, RUBBER STRT BULB, 21".....103                                       |
| REGULATOR, FUEL, GM .998L.....107-108, 111  | SCREW,HHC,5/16-18 X 1 GR5.....177                     | SEAL, RUBBER STRT BULB, 9.5".....103                                      |
| REGULATOR,LPG,KUBOTA,DF-752***.....75-76    | SCREW,HHC,5/16-18 X 1 INCH.....89                     | SEAL, RUBBER, 1" BULB.....99, 103   |
| RELAY MODULE(89996,89998).....79            | SCREW,HHC,5/16-18 X 1.50.....85                       | SEAL,RUBBER,1"BULB.....99, 103  |
| RELAY,12VDC,70AMP,SEALED.....89             | SCREW,HHC,7/16-14 X 1.25.....65-66                    | SENSOR,LEVEL, ANALOG.....108  |
| RELAY,SPDT,12V(AUTO) PLUG IN**.....115, 183 | SCREW,HHC,FLG,1/4-20 X 2.00.....75-76                 | SENSOR,WATER TEMPERATURE.....95   |
| RELIEF VALVE.....157                        | SCREW,HHC,M10 X 1.25 X 30MM*.....81, 89               | SEPARATOR/FILTER ELEMENT,FUEL*.....11, 91-92                              |
| RESISTOR, 1000 OHM 1/4 WATT.....115         | SCREW,HHC,M10 X 1.25 X 35MM.....79, 81, 89            | SHOCK MOUNT,LARGE**.....89  |
| RESISTOR, 620 OHM 1/4 WATT.....115          | SCREW,HHC,M12X 1.25X36MM,GR8.8.....91-92              | SHROUD, RADIATOR.....81   |
| RETAINER, GS68 O/R FOOTPAD***.....195       | SCREW,HHC,M12X1.25X25,GR 8.8.....95                   | SLEEVE,TANK SUPPORT.....175   |
| RIVET,DRIVE, .25 X .25.....143, 147         | SCREW,HHC,M6 X 16.....81                              | SLIDE BLOCK,DOOR WEDGE,HDPE.....121                                       |
| ROD END,.375 X 2.25,ZAG.....61, 63, 66, 105 | SCREW,HHC,M8 X 1.25 X 25.....91-92                    | SLIDE BLOCK,ENGINE TRAY.....105   |
| ROD END,.5 X 3.75,ZAG.....127-128, 133, 137 | SCREW,HHC,M8 X 30MM,GRD 8.8.....83, 92                | SLIDER BLOCK, GS69.....127-128, 131, 135, 139, 141                        |
| ROD, GOVERNOR, WG972.....79                 | SCREW,HHF,M6-1.0X20,DIN6921,10.9,ZAB.99               | SLIDER, GATE CATCH.....145  |
| ROD,DISCONNECT,OMNI***.....65-66            | SCREW,M8 X 35MM.....87                                | SNAP RING,EXTERNAL,1.5 DIA***.127-128, 131, 135                           |
| ROLLER,PLASTIC,AWP96**.....147              | SCREW,PHIL,8-32X.50,SELF TAP.....108                  | SOLENOID KIT,SHUT DN,PERKINS.....91-92                                    |
| RUBBER, VIBRATION MOUNT.....191             | SCREW,PHIL,PHM,10-24 X.5,SEMS.....91-92               | SOLENOID, KUBOTA,DF972.....73   |
| RUE RING,1.00.....61                        | SCREW,PHILLIPS,PHM,10-32 X .38.....115                | SOLENOID,1"STRIKE,12V,SYNCR***.....81, 85                                 |
|   | SCREW,PHILLIPS,PHM,10-32 X .5.....115                 | SOLENOID,32193 STARTER,D905.....83  |
|   | SCREW,PHILLIPS,PHM,10-32 X .75.....115, 173, 191      | SOLENOID,KUBOTA D9/1105 SHTDWN.....85                                     |
|   | SCREW,PHILLIPS,PHM,10-32 X1.25.....79                 | SOLENOID,THROTTLE ACTUATOR DSL.....91-92                                  |
|   | SCREW,PHILLIPS,PHM,6-32 X .75.....151                 | SOLENOID,THROTTLE W/CABLE.....79  |
|   | SCREW,PHILLIPS,PHM,8-32 X 1.00.....191                | SPACER, SHOCK MOUNT.....89  |
|   | SCREW,PHILLIPS,PHM,8-32 X 1.25..71, 127-128, 133, 137 | SPACER-DUAL COIL,#10, SCISSORS.....193                                    |
|   | SCREW,PHILLIPS,PHM,8-32 X.25**.....115                | SPARK PLUG WIRE 1, DF972.....79   |
|   | SCREW,PHM,1/4-20X.5 PHIL.....107-108                  | SPARK PLUG WIRE 2, DF972.....79   |
|   | SCREW,PHM,8-32X.438.....151                           | SPARK PLUG WIRE 3, DF972.....79   |
|   | SCREW,PHPM,10-32X.50,ZAG.....107-108, 111             | SPARK PLUG, DF972.....11, 79  |
|   | SCREW,PPH,8-32X.50,ZINC,TRS.....108                   | SPEED CONTROL ASSY.....85   |
|   | SCREW,RHM,10-32 X .75.....89                          | SPRING CLIP,1/4-20,.025-.15X.54,ZAG.....61, 65-66, 69, 105, 108, 183, 189 |
|   | SCREW,RHM,8-32 X 1.....66                             | SPRING CLIP,3/8-16,.05-.20X.73,ZAG.....71, 119, 121, 147, 177, 191        |
|   | SCREW,RHM,M6 X 12MM.....89                            | SPRING, GOVERNOR, WG972.....79  |
|   | SCREW,SHC,1/2-13 X 4 ZINC.....61                      | SPRING,COMPRESSION .835 X 2.....145                                       |
|   | SCREW,SHC,10-32 X .75.....121                         | SPRING,GOVERNOR,LOWER, WG750**.....79                                     |
|   | SCREW,SHC,3/8-16 X 1.5.....105                        | SPRING,RETURN,SPEED CONTR,D905...85                                       |
|   | SCREW,SHC,5/8-11 X 1.5 NDPATCH.....66                 | SPRING,TENSION-1.25 X.438 DIA.....85, 91-92                               |
|   | SCREW,SHM,PHP, #12 X .75.....115                      | STARTER MOTOR, KUBOTA, DF972.....73                                       |
|   | SCREW,SHS,3/8-16 X .5.....113                         | STARTER, PERKINS, 403D.....95   |
|   | SCREW-AIR BREATHER, D905.....85                       | STARTER,KUBOTA D905 VERS 2***.....83                                      |
|   | SEAL KIT.....161                                      | STAY, RADIATOR, WG972.....81  |
|   | SEAL KIT, HYD MOTOR, GEN.....179                      | STAY,ALTERNATOR,D-1105.....83   |
|   | SEAL KIT, VALVE.....157, 159, 165                     | STEER SWITCH REPAIR KIT***.....155  |
|   | SEAL KIT, WHEEL DRIVE.....65-66                       | STEER YOKE ASSY.....61  |
|   | SEAL KIT,(131428).....195                             | STRAINER,FILLER NECK.....107-108  |
|   | SEAL KIT,226380.....163                               | STRAP, RUBBER STEP SUPPORT.....69   |
|   | SEAL KIT,52907,SIZE 4, 2 WAY.....157, 161             | STUD,EXHAUST MANIFOLD.....83  |
|   | SEAL KIT,62329,SIZE 12, 3 WAY.....157                 | STUDS,EXHAUST.....95  |
|   | SEAL KIT,BOSCH PUMP***.....76, 87, 95, 101            | SUBASSY, IC REAR AXLE.....65-66   |
|   | SEAL KIT,BRAKE,OMNI***.....65-66                      | SUBASSY,IC REAR AXLE.....65-66  |
|   | SEAL KIT,CASAPPA.....76, 87, 95, 101                  | SUPPORT, KIT RADIATOR, WG972.....81                                       |
|   | SEAL KIT,DR MTR.GS15/19,Z20***.....61                 | SVC KIT,UK RECEPT.REPLACEMENT.....151                                     |
|   | SEAL KIT,LIFT,LOWER (131920).....165                  | SWITCH, OIL PRESSURE.....91-92  |
|   | SEAL KIT,LIFT,UPPER (131921).....165                  | SWITCH, PRESSURE,0-3000PSI ADJ.....165                                    |
|   | SEAL KIT,MOTOR,LC/KC***.....65-66                     | SWITCH,LIMIT,PLUNGER,SMALL.....66, 127-128, 133, 137                      |
|   | SEAL KIT,REXROTH DO3 VALVE.....159                    | SWITCH,LIMIT,W/ROLLER ARM.....71, 191                                     |
|   | SEAL KIT,SOLENOID(52377).....157, 159                 | SWITCH,LIMIT,ZCY15 ARM.....71   |
|   | SEAL KIT,STEER CYL (89065).....61                     | SWITCH,OIL,PRESSURE,KUBOTA.....73, 83                                     |
|   | SEAL KIT,SUN T-2A CP VALVE.....161                    | SWITCH,WATER TEMP.....73, 83  |
|   | SEAL KIT-P.N.44169,44172,44171.....159, 193           |   |
|   | SEAL, RUBBER 90D BULB, 14IN.....103                   |   |
|   | SEAL, RUBBER 90D BULB, 15IN.....89, 91-92             |   |

## S



**T**

T-BOX,2.75 X 4.5 X 2.0.....108, 151  
 TAILPIPE, GM .998L, GS69.....101  
 TAILPIPE,403D-11,GS69.....92  
 TAILPIPE,DF-972,GS69.....73  
 TAILPIPE,DIESEL,GS69.....83  
 TAILPIPE,END,UNIV.....73, 83, 91-92  
 TAILPIPE,EXTENSION,UNIV.....73, 83, 91-92  
 TANK STRAP,BOLT STYLE,HYD,GS69.....108  
 TANK STRAP,FUEL,BOLT STYLE,69.....107-108  
 TANK, 7 GAL/33.5 POUND, LP.....117  
 TANK,HYDRAULIC,18 GALLON\*\*\*.....107-108  
 TAPE,NON-SKID,2"X14".....189  
 TAPE,WARNING,BLK/YEL, 50\*\*\*.....147  
 TEE,BULKHEAD,RUN,520120-6.....167, 171  
 TEE,BULKHEAD,RUN,520958-4.....61, 169, 171, 197  
 TEE,RUN,520428-12.....169  
 TEE,RUN,FEMSW,520432-12.....181  
 TEE,RUN,SWIVEL,520432-6.....181, 197  
 TELEMATICS LEADS,GS69RT.....124  
 TERMINAL RAIL,GS69.....115  
 THERMOSTAT.....73, 83  
 THERMOSTAT -OIL COOLER (71259).....183  
 THERMOSTAT COVER.....83  
 THERMOSTAT HOUSING, DF972.....73  
 TRIM,EDGE,1/8X3/4 SIDE BULB.....99  
 TRIMLOCK,BLACK,3/16.....183  
 TURN SWITCH ACTUATOR,JOYSTICK\*\*.....155

**U**

UHMW,EXT LATCH ARM CATCH.....149  
 UNION,BULKHEAD,ORFS,-6-6.....169

**V**

V-BELT,KUBOTA.....83  
 V-ROLLER,NARROW,EXT DECK.....143  
 VALVE COVER, D905.....83  
 VALVE COVER, WG972.....73  
 VALVE, CHECK, DROP IN.....157  
 VALVE, CV 4.5:1, 3500 PSI.....161  
 VALVE, DIRECTIONAL, P-COMP.....157  
 VALVE, ELEC-PROP, 2W NC.....157  
 VALVE, FLOW CONTROL, P-COMP.....157  
 VALVE, FLOW DIV/COMB, 50-50,12GPM.....159  
 VALVE, FLOW DIV/COMB, 75-25.....159  
 VALVE, FLOW DIV/COMB,50-50, 24GPM.....161  
 VALVE, NC PROP POPPET, 12VDC.....165  
 VALVE, NC PROPORTIONAL POPPET.....165  
 VALVE, NEEDLE, 10GPM.....159  
 VALVE, PRESS. CNTRL 15GPM.....157  
 VALVE, PRESS. REDUCING, 250PSI.....161  
 VALVE, RELIEF, 2500PSI.....165  
 VALVE, RELIEF, 3300 PSI.....157  
 VALVE, RELIEF, BI-DIR 8GPM.....159  
 VALVE, RELIEF, GEN, 3.0kW.....179  
 VALVE, ROLLOVER, 1/4" BARBED.....107-108, 111  
 VALVE, SOLENOID 3W-2P.....157  
 VALVE, SOLENOID, 4W-2P.....159  
 VALVE, SOLENOID, 5W-3P.....157  
 VALVE,2 POSITION 2 WAY\*\*\*.....165  
 VALVE,2 WAY,2.5PSI.....75-76, 107-108  
 VALVE,2WAY ,1PSI.....75-76, 107-108  
 VALVE,COUNTERBALNCE,3800 PSI.....163

VALVE,DIR,#10 SAE,3 POS. 4 WAY.....193  
 VALVE,DOUBLE PULL SOL SQ 12V.....165  
 VALVE,LP LOCKOUT W/O CONNECTOR.....75-76  
 VALVE,NC,BI-DI,CART\*\*\*.....195  
 VALVE,RELIEF,3000PSI,GS68PUMP1.....157  
 VALVE,SOLENOID, 2POS/3WAY\*\*\*.....159  
 VALVE,SOLENOID,2POS 3 WAY\*\*\*.....157  
 VALVE,SOLENOID,2POS2WY,NCGS68\*.....159  
 VALVE-CHECK, #4 SAE, 5 PSI\*.....157, 161  
 VALVE-SOLENOID,2POS/2WAY.....157  
 VITON SEAL KIT, VALVE.....157  
 VLV,SOL,DO3,REXROTH,3POS 4 WAY.....159

**W**

WASHER ASSY,FILTER ELEMNT,D905.....87  
 WASHER, BELLHOUSING MNT, WG972.....75-76  
 WASHER, FAN COVER, D1105.....89  
 WASHER, FLANGE ADAPTER, WG972.....75-76  
 WASHER, LOCK, 8MM, WG972.....81  
 WASHER, LOCK, FAN COVER, D1105.....89  
 WASHER, MUFFLER COVER, WG972.....73  
 WASHER,FENDER,5X2.125.....79, 95, 99  
 WASHER,FLAT,.625 HARDENED.....66  
 WASHER,FLAT,.625 X 2.25 X.15.....89  
 WASHER,FLAT,1.510X2.125.....127-128, 131, 135  
 WASHER,FLAT,3/8,HARDENED,YZ.....113  
 WASHER,FLAT,GOV.LEVER, DF750.....79  
 WASHER,FLAT,HARDENED 7/16.....65-66  
 WASHER,FLAT,M6 PLTD.....91-92  
 WASHER,FLAT,MS,#10,Y.....79, 115  
 WASHER,FLAT,MS,#8,Y.....71, 127-128, 133, 137  
 WASHER,FLAT,SAE,3/8",Y.....147  
 WASHER,FLAT,USS,1/2",Y.....69, 79, 95, 99, 128, 133, 137  
 WASHER,FLAT,USS,1/4"Y.....61, 73, 75-76, 79, 81, 85, 91-92, 99, 101, 105, 115, 119, 143, 145, 147, 183, 189  
 WASHER,FLAT,USS,3/8",Y.....63, 69, 97, 99, 101, 103, 107-108, 111, 113, 133, 137, 141, 147, 149, 177, 183, 201  
 WASHER,FLAT,USS,5/16",Y.....75-76, 89, 92, 97, 105  
 WASHER,LOCK,.25.....81, 107-108, 183  
 WASHER,LOCK,.313.....91-92  
 WASHER,LOCK,.375.....76, 87, 95, 105, 119, 121, 201  
 WASHER,LOCK,437,PLTD.....65-66  
 WASHER,LOCK,0.5".....91-92, 95  
 WASHER,LOCK,GOV.LEVER,DF750\*\*\*.....73, 75-76, 79  
 WASHER,LOCK,M10.....79, 81, 89  
 WASHER,LOCK,M8.....83  
 WASHER,NITRILE.....115  
 WASHER,NYLON .50 X 1.25 X .063.....113  
 WASHER,STAR,EXTERNAL,#8.....108, 191  
 WASHER,STAR,EXTERNAL,.375.....76, 87, 95, 115  
 WASHER-PLAIN.....73  
 WASHER-SOLENOID VALVE (66683)\*.....165  
 WATER PUMP ASSY,KUBOTA.....83  
 WATER PUMP, DF972.....73  
 WEAR PAD,SLIDER FOOT,LOWER.....127-128, 133, 137

WEAR PAD,SLIDER FOOT,UPPER.....127-128, 133, 137  
 WELDMENT, ENGINE SWING TRAY.....105  
 WELDMENT, GS4068 LADDER.....69  
 WELDMENT, MAIN RAIL, LEFT.....143  
 WELDMENT, MAIN, A-RAIL, LEFT.....145  
 WELDMENT, MAIN, A-RAIL, RIGHT.....145  
 WELDMENT, PLT CTRL GUARD.....153  
 WELDMENT, RISE BRKT, D1105.....89  
 WELDMENT, RISE BRKT, KD.....89  
 WELDMENT,26/32 LADDER.....69  
 W E L D M E N T , B O X DOOR,LEFT,WINDOW.....119  
 WELDMENT,BOX DOOR,LT.....121  
 WELDMENT,BOX DOOR,LT,WINDOW.....121  
 WELDMENT,BOX DOOR,RT.....119, 121  
 WELDMENT,BOX DOOR,RT,FUEL.....121  
 WELDMENT,BOX,ENGINE.....103  
 WELDMENT,BOX,HYD.....113  
 WELDMENT,BOX,IC,EPA.....113  
 WELDMENT,CHASSIS LINK PVT,2669.....127-128  
 WELDMENT,DOOR,HYD.BOX,GAS.....119  
 WELDMENT,ENGINE BOX,GS69.....103  
 WELDMENT,ENGINE PIVOT MOUNT.....105  
 WELDMENT,ENGINE SWING TRAY,GS69.....105  
 WELDMENT,ENTRY GATE.....145  
 WELDMENT,EXT DECK RAIL,END.....147  
 WELDMENT,EXT.DECK,GS69.....147  
 WELDMENT,GEN COVER,GS69.....177  
 WELDMENT,GEN MOUNT,GS69.....177  
 WELDMENT,GRND CONT,LWR MT.....108  
 WELDMENT,HEAD PIPE,PERKINS.....95  
 WELDMENT,KING PIN.....61  
 WELDMENT,LADDER,GS26/3369.....69  
 WELDMENT,LADDER,GS4069.....69  
 WELDMENT,LCP,GS69.....115  
 WELDMENT,LINK,OUTER #1.....127-128, 131, 135  
 WELDMENT,LINK,OUTER #2,3,4.....131, 135  
 WELDMENT,LINK, TOP OUTER,GS69.....127-128, 131, 135, 139, 141  
 WELDMENT,LOWER LADDER STEP.....69  
 WELDMENT,LP ALIGNMENT PIN.....117  
 WELDMENT,LP ALIGNMENT PIN\*\*\*.....117  
 WELDMENT,LP CARRIER MOUNT.....117  
 WELDMENT,LP GUARD,RIGHT.....117  
 WELDMENT,MAIN PLATFORM,GS69.....139, 141  
 WELDMENT,MAIN RAIL,RIGHT.....143  
 WELDMENT,MOUNT,LCP,GS69.....108  
 WELDMENT,O/R SWITCH COVER.....191  
 W E L D M E N T , O I L COOLER MOUNT,GS69.....183  
 WELDMENT,OSC.AXLE.....61  
 WELDMENT,OUTRIGGER COVER.....191  
 WELDMENT,OUTRIGGER YOKE.....191  
 WELDMENT,PLAT PIVOT,33/4069.....141  
 WELDMENT,PLATFORM PIVOT,2669.....139  
 WELDMENT,RAIN CAP MNT, KUB.....76, 87  
 WELDMENT,RAIN CAP MNT, KUBOTA.....76, 87, 103  
 WELDMENT,RAIN CAP MNT,PERKINS.....103  
 WELDMENT,RAIN CAP,GM .998L.....97, 103  
 WELDMENT,SIDE EXT RAIL,LEFT.....147  
 WELDMENT,SIDE EXT RAIL,RIGHT.....147  
 WELDMENT,SLIDER FOOT, 32/4069.....133, 137

## Part Description Index (continued)

WELDMENT,SLIDER FOOT, GS2669.....127-  
 128  
 WELDMENT,SLIDER FT, GS33/4069.....133,  
 137  
 WELDMENT,TIE ROD.....61  
 WELDMENT,TIE ROD,GS69.....61  
 WHEEL ASSY, FOAM,12X26,NM,RR.....65-66  
 WHEEL ASSY,FOAM,12X26,BLK,LF.....61  
 WHEEL ASSY,FOAM,12X26,BLK,LR.....65-66  
 WHEEL ASSY,FOAM,12X26,BLK,RF.....61  
 WHEEL ASSY,FOAM,12X26,BLK,RR.....65-66  
 WHEEL ASSY,FOAM,12X26,NM,LF.....61  
 WHEEL ASSY,FOAM,12X26,NM,LR.....65-66  
 WHEEL ASSY,FOAM,12X26,NM,RF.....61  
 WHEEL ASSY,FOAM,12X26,NM,RR.....65-66  
 WHEEL DRIVE W/ BRAKE,48.1.....65-66  
 WHEEL STUD,5/8-18X67MM.....65-66  
 WIRE CABLE,14/3 CON.TPE JKT\*.....151  
 WIRE CAP,ORANGE.....151  
 WIRE HARNESS.....177  
 WLDMNT,PLATFORM SPACER, 2669.....139  
 WLDMT, HYD BOX GS69.....113  
 WLDMT,CHASSIS LINK PVT,33/4069.....133,  
 137  
 WLDMT,EXT DECK HANDLE,L.....149  
 WLDMT,EXT DECK HANDLE,R.....149  
 WLDMT,LINK,OUTER,#2.....127-128, 131, 135  
 WLDT,BOX DOOR,ENG,LT,GS68.....119  
 WORKLIGHT, 12V, DEUTSCH RECEPT.....203  
 WORKLIGHTS,FIELD KIT,GS-2669.....203  
 WORKLIGHTS,FIELD KIT,GS-3369.....203  
 WORKLIGHTS,FIELD KIT,GS-4069.....203  
 WORKSHOP MANUAL, WG972-E2.....11

**Z**

ZERK,GREASE,1/8 NPT.....195

***This Page Intentionally Left Blank***

## Fitting Cross References

| Genie PN | Parker PN       | Description                             | Genie PN | Parker PN     | Description                             |
|----------|-----------------|---|----------|---------------|---|
| 12342    | 6-4 F5OX-S      | CONNECTOR,STRAIGHT THREAD TO FLARE TUBE | 42794    | 1 CR-S        | ELBOW,90°,MALE PIPE                     |
| 13757    | 4 R6X-S         | RUN TEE,SWIVEL NUT,ORFS                 | 42795    | BV-0839       | BALL VALVE                              |
| 19685    | 12-10 C5OX-S    | ELBOW,90°,STRAIGHT THREAD TO FLARE TUBE | 42796    | BV-0838       | BALL VALVE                              |
| 22664    | 12-10 C5OX      | ELBOW,90°,STRAIGHT THREAD TO FLARE TUBE | 42874    | 6-8 CLO-S     | ELBOW,90°,MALE PIPE TO ORFS             |
| 27431    | 8-12 F5OX-S     | CONNECTOR,STRAIGHT THREAD TO FLARE TUBE | 42912    | 13943-6-4     | HOSE END,90° FEMALE SWIVEL,JIC          |
| 28678    | AS-B-33         | SLEEVE,NYLON,1.81" ID                   | 42920    | BV-0840       | BALL VALVE,90°                          |
| 39871    | 6 WETX-WLN-S    | UNION,90° BULKHEAD W/NUT,FLARE TUBE     | 42932    | AS-B-17       | SLEEVE,NYLON,1.22" ID                   |
| 39872    | 4 R5OX-S        | RUN TEE,STRAIGHT THREAD                 | 42936    | 10243-2-4     | HOSE END,FEMALE PIPE                    |
| 39873    | 6 C5OX-S        | ELBOW,90°,STRAIGHT THREAD TO FLARE TUBE | 42953    | 1/2 DD-S      | ELBOW,90°,FEMALE PIPE                   |
| 39874    | 8-6 C5OX-S      | ELBOW,90°,STRAIGHT THREAD TO FLARE TUBE | 42956    | 6 WELO-WLNL-S | UNION,90° BULKHEAD W/NUT,ORFS           |
| 39875    | 4-6 C5OX-S      | ELBOW,90°,STRAIGHT THREAD TO FLARE TUBE | 45349    | 8 V5OX-S      | ELBOW,45°,STRAIGHT THREAD TO FLARE TUBE |
| 39876    | 6-8 C5OX-S      | ELBOW,90°,STRAIGHT THREAD TO FLARE TUBE | 45351    | 4 V5OX-S      | ELBOW,45°,STRAIGHT THREAD TO FLARE TUBE |
| 39877    | 4 F5OX-S        | CONNECTOR,STRAIGHT THREAD TO FLARE TUBE | 47223    | 10343-6-6     | HOSE END,MALE,JIC                       |
| 39878    | 6 F5OX-S        | CONNECTOR,STRAIGHT THREAD TO FLARE TUBE | 47419    | PS690503-6-6  | SWIVEL,90°,STRAIGHT THREAD TO 37° FLARE |
| 39879    | 4-8 F5OX-S      | CONNECTOR,STRAIGHT THREAD TO FLARE TUBE | 48750    | 421-4         | HOSE,1/4 INCH ID                        |
| 39880    | 6-10 F5OX-S     | CONNECTOR,STRAIGHT THREAD TO FLARE TUBE | 48751    | 481TC-4       | HOSE,1/4 INCH ID                        |
| 39881    | 4-6 F5OX-S      | CONNECTOR,STRAIGHT THREAD TO FLARE TUBE | 48752    | 482TC-4       | HOSE,1/4 INCH ID                        |
| 39882    | 4-HP5ON-S       | PLUG,STRAIGHT THREAD                    | 48753    | 451TC-6       | HOSE,3/8 INCH ID                        |
| 39883    | 8-8 FTX-S       | CONNECTOR,MALE PIPE TO FLARE TUBE       | 48754    | 482TC-6       | HOSE,3/8 INCH ID                        |
| 39885    | 269HB 12-12     | ELBOW,90°,BEADED HOSE BARB TO MALE PIPE | 48755    | 381-6         | HOSE,3/8 INCH ID                        |
| 39886    | 431-6           | HOSE,3/8 INCH ID                        | 48756    | 451TC-8       | HOSE,1/2 INCH ID                        |
| 39887    | 540N-2          | HOSE,1/8 INCH ID                        | 48757    | 482TC-8       | HOSE,1/2 INCH ID                        |
| 39888    | 801-8           | HOSE,1/2 INCH ID                        | 48758    | 381-8         | HOSE,1/2 INCH ID                        |
| 39889    | 801-12          | HOSE,3/4 INCH ID                        | 48759    | 381-10        | HOSE,5/8 INCH ID                        |
| 39890    | 10643-6-6       | HOSE END,FEMALE SWIVEL,JIC              | 48760    | 451TC-10      | HOSE,5/8 INCH ID                        |
| 39891    | 13943-6-6       | HOSE END,90° FEMALE SWIVEL,JIC          | 48761    | 482TC-12      | HOSE,3/4 INCH ID                        |
| 39892    | 13743-6-6       | HOSE END,45° FEMALE SWIVEL,JIC          | 48762    | 451TC-12      | HOSE,3/4 INCH ID                        |
| 39894    | 30682-8-8       | HOSE END,FEMALE SWIVEL,JIC              | 48763    | 772-12        | HOSE,3/4 INCH ID                        |
| 39895    | 30682-10-12     | HOSE END,FEMALE SWIVEL,JIC              | 48764    | 881-16        | HOSE,1 INCH ID                          |
| 42286    | 8-8 CTX-S       | ELBOW,90°,MALE PIPE TO FLARE TUBE       | 48765    | 772-16        | HOSE,1 INCH ID                          |
| 42756    | 8-12 CLO-S      | ELBOW,90,MALE PIPE TO ORFS              | 48766    | AS-B-15       | SLEEVE,NYLON,1.06" ID                   |
| 42757    | 8-12 FLO-S      | CONNECTOR,MALE PIPE TO ORFS             | 48767    | AS-B-22       | SLEEVE,NYLON,1.42" ID                   |
| 42758    | 4 JLO-S         | UNION TEE,ORFS                          | 48770    | 881-8         | HOSE,1/2 INCH ID                        |
| 42759    | 4-4 FLO-S       | CONNECTOR,MALE PIPE TO ORFS             |          |               |   |
| 42760    | 6-8 FLO-S       | CONNECTOR,MALE PIPE TO ORFS             |          |               |   |
| 42761    | 1J143-6-4       | HOSE END,90° FEMALE SWIVEL,SEAL LOK     |          |               |   |
| 42762    | 1J743-6-4       | HOSE END,45° FEMALE SWIVEL,SEAL LOK     |          |               |   |
| 42768    | 1JO43-4-4       | HOSE END,MALE,SEAL LOK                  |          |               |   |
| 42776    | 601-8           | HOSE,1/2 INCH ID                        |          |               |   |
| 42777    | 1J743-16-16     | HOSE END,45° FEMALE SWIVEL,SEAL LOK     |          |               |   |
| 42786    | 16 CLO-S        | ELBOW,90°,MALE PIPE TO ORFS             |          |               |   |
| 42787    | 16 R6LO-S       | RUN TEE,SWIVEL NUT,ORFS                 |          |               |   |
| 42788    | 16-8 TRLO-BL-S  | REDUCER,TUBE END TO SWIVEL,ORFS         |          |               |   |
| 42789    | 6-6 CLO-S       | ELBOW,90°,MALE PIPE TO ORFS             |          |               |   |
| 42790    | 8-10 V5OLO-S    | ELBOW,45°,STRAIGHT THREAD TO ORFS       |          |               |   |
| 42791    | 3/4 CD-S        | ELBOW,90°,MALE TO FEMALE PIPE           |          |               |   |
| 42792    | 3/4 X 1/2 PTR-S | REDUCER,MALE TO FEMALE PIPE             |          |               |   |
| 42793    | 1/2 CR-S        | ELBOW,90°,MALE PIPE                     |          |               |   |

## Fitting Cross References (Continued)

| Genie PN | Parker PN   | Description                         | Genie PN | Parker PN       | Description                                      |
|----------|-------------|-------------------------------------|----------|-----------------|--|
| 48771    | 881-10      | HOSE,5/8 INCH ID                    | 48847    | 13943-12-12     | HOSE END,90° FEMALE SWIVEL,JIC                   |
| 48772    | 381-4       | HOSE,1/4 INCH ID                    | 48848    | 10543-12-12     | HOSE END,MALE,STRAIGHT THREAD                    |
| 48773    | AS-B-13     | SLEEVE,NYLON,.86" ID                | 48849    | 1JC71-12-12     | HOSE END,FEMALE SWIVEL,SEAL LOK                  |
| 48800    | 1JC43-4-4   | HOSE END,FEMALE SWIVEL,SEAL LOK     | 48850    | 1JS71-12-12     | HOSE END,FEMALE SWIVEL,SEAL LOK                  |
| 48801    | 1J743-4-4   | HOSE END,45° FEMALE SWIVEL,SEAL LOK | 48851    | 1J171-12-12     | HOSE END,90° FEMALE SWIVEL,SEAL LOK              |
| 48802    | 1J943-4-4   | HOSE END,90° FEMALE SWIVEL,SEAL LOK | 48852    | 1J771-12-12     | HOSE END,45° FEMALE SWIVEL,SEAL LOK              |
| 48804    | 1JM43-4-4   | HOSE END,MALE,SEAL LOK, NO O-RING   | 48853    | 1J971-12-12     | HOSE END,90° FEMALE SWIVEL,SEAL LOK              |
| 48805    | 10643-4-4   | HOSE END,FEMALE SWIVEL,JIC          | 48854    | 1JC43-16-16     | HOSE END,FEMALE SWIVEL,SEAL LOK                  |
| 48806    | 13943-4-4   | HOSE END,90° FEMALE SWIVEL,JIC      | 48855    | 1J943-16-16     | HOSE END,90° FEMALE SWIVEL,SEAL LOK              |
| 48807    | 1JS43-4-4   | HOSE END,FEMALE SWIVEL,SEAL LOK     | 48856    | 1J171-16-16     | HOSE END,90° FEMALE SWIVEL,SEAL LOK              |
| 48808    | 3JC82-8-8   | HOSE END,FEMALE SWIVEL,SEAL LOK     | 48857    | 1J971-16-16     | HOSE END,90° FEMALE SWIVEL,SEAL LOK              |
| 48809    | 3JC82-12-12 | HOSE END,FEMALE SWIVEL,SEAL LOK     | 48859    | 1JS43-8-4       | HOSE END,FEMALE SWIVEL,SEAL LOK                  |
| 48810    | 1JC43-6-4   | HOSE END,FEMALE SWIVEL,SEAL LOK     | 48867    | PD36BTL         | DIAGNOSTIC NIPPLE,SEAL-LOK SWIVEL                |
| 48811    | 1J943-6-4   | HOSE END,90° FEMALE SWIVEL,SEAL LOK | 48873    | 6 PNLO-S        | PLUG,TUBE END,ORFS                               |
| 48812    | 1JC43-6-6   | HOSE END,FEMALE SWIVEL,SEAL LOK     | 48874    | 6 PNTX-S        | PLUG,FLARE TUBE                                  |
| 48813    | 1J143-6-6   | HOSE END,90° FEMALE SWIVEL,SEAL LOK | 48875    | 6 R6LO-S        | RUN TEE,SWIVEL NUT,ORFS                          |
| 48814    | 1J543-6-6   | HOSE END,90° FEMALE SWIVEL,SEAL LOK | 48877    | 4 F5OLO-SW/.025 | CONNECTOR,STRAIGHT THREAD TO ORFS,<br>W/.025 ORI |
| 48815    | 1J743-6-6   | HOSE END,45° FEMALE SWIVEL,SEAL LOK | 48878    | 16-12 C5OLO-S   | ELBOW,90°,STRAIGHT THREAD TO ORFS                |
| 48816    | 1J943-6-6   | HOSE END,90° FEMALE SWIVEL,SEAL LOK | 48879    | 8 C6LO-S        | ELBOW,90°,SWIVEL NUT ORFS                        |
| 48817    | 1JS43-6-8   | HOSE END,FEMALE SWIVEL,SEAL LOK     | 48880    | PD6-285         | CAP,DIAGNOSTIC NIPPLE                            |
| 48818    | 1J943-8-4   | HOSE END,90° FEMALE SWIVEL,SEAL LOK | 48881    | 6 HLO-S         | UNION,ORFS                                       |
| 48819    | 1JC43-8-6   | HOSE END,FEMALE SWIVEL,SEAL LOK     | 48883    | 8 P5ON-S        | PLUG,STRAIGHT THREAD                             |
| 48820    | 1J743-8-6   | HOSE END,45° FEMALE SWIVEL,SEAL LOK | 48884    | 8M18F87OMLO-S   | CONNECTOR,METRIC,STRAIGHT THREAD<br>TO ORFS      |
| 48821    | 1J943-8-6   | HOSE END,90° FEMALE SWIVEL,SEAL LOK | 48885    | 4 WGTX-WLN-S    | CONNECTOR,BULKHEAD,FEMALE PIPE TO<br>FLARE TUBE  |
| 48822    | 1JC43-8-8   | HOSE END,FEMALE SWIVEL,SEAL LOK     | 48886    | 4 F5OLO-SW/2MM  | CONNECTOR,MACHINED STRAIGHT THREAD TO<br>ORFS    |
| 48823    | 1JS43-8-8   | HOSE END,FEMALE SWIVEL,SEAL LOK     | 48887    | 4 CTX-S         | ELBOW,90°,MALE PIPE TO FLARE TUBE                |
| 48824    | 1J143-8-8   | HOSE END,90° FEMALE SWIVEL,SEAL LOK | 48888    | 10-12 V5OLO-S   | ELBOW,45°,STRAIGHT THREAD TO ORFS                |
| 48825    | 1J543-8-8   | HOSE END,90° FEMALE SWIVEL,SEAL LOK | 48890    | 4 S5OLO-S       | BRANCH TEE,STRAIGHT THREAD TO ORFS               |
| 48826    | 1J743-8-8   | HOSE END,45° FEMALE SWIVEL,SEAL LOK | 48891    | 4 S6LO-S        | BRANCH TEE,SWIVEL NUT TO ORFS                    |
| 48827    | 1J943-8-8   | HOSE END,90° FEMALE SWIVEL,SEAL LOK |          |                 |  |
| 48828    | 1JC43-10-8  | HOSE END,FEMALE SWIVEL,SEAL LOK     |          |                 |  |
| 48829    | 1JS43-10-8  | HOSE END,FEMALE SWIVEL,SEAL LOK     |          |                 |  |
| 48830    | 1J743-10-8  | HOSE END,45° FEMALE SWIVEL,SEAL LOK |          |                 |  |
| 48831    | 1J943-10-8  | HOSE END,90° FEMALE SWIVEL,SEAL LOK |          |                 |  |
| 48833    | 1JC43-10-10 | HOSE END,FEMALE SWIVEL,SEAL LOK     |          |                 |  |
| 48834    | 1J943-10-10 | HOSE END,90° FEMALE SWIVEL,SEAL LOK |          |                 |  |
| 48835    | 1JS43-10-12 | HOSE END,FEMALE SWIVEL,SEAL LOK     |          |                 |  |
| 48836    | 1JC43-12-8  | HOSE END,FEMALE SWIVEL,SEAL LOK     |          |                 |  |
| 48837    | 1JS43-12-8  | HOSE END,FEMALE SWIVEL,SEAL LOK     |          |                 |  |
| 48838    | 1J743-12-8  | HOSE END,45° FEMALE SWIVEL,SEAL LOK |          |                 |  |
| 48839    | 1J943-12-8  | HOSE END,90° FEMALE SWIVEL,SEAL LOK |          |                 |  |
| 48840    | 1J943-12-10 | HOSE END,90° FEMALE SWIVEL,SEAL LOK |          |                 |  |
| 48841    | 1JC43-12-12 | HOSE END,FEMALE SWIVEL,SEAL LOK     |          |                 |  |
| 48842    | 1JO43-12-12 | HOSE END,MALE,SEAL LOK              |          |                 |  |
| 48843    | 1J143-12-12 | HOSE END,90° FEMALE SWIVEL,SEAL LOK |          |                 |  |
| 48844    | 1J543-12-12 | HOSE END,90° FEMALE SWIVEL,SEAL LOK |          |                 |  |
| 48845    | 1J743-12-12 | HOSE END,45° FEMALE SWIVEL,SEAL LOK |          |                 |  |
| 48846    | 1J943-12-12 | HOSE END,90° FEMALE SWIVEL,SEAL LOK |          |                 |  |

## Fitting Cross References (Continued)

| Genie PN | Parker PN         | Description                                      | Genie PN | Parker PN      | Description                            |
|----------|-------------------|--|----------|----------------|--|
| 48892    | 6 C6LO-S          | ELBOW,90°,SWIVEL NUT ORFS                        | 48938    | 8 R6LO-S       | RUN TEE,SWIVEL NUT,ORFS                |
| 48893    | 6 F5OHAO-S        | UNION,STRAIGHT THREAD                            | 48939    | 8 S6LO-S       | BRANCH TEE,SWIVEL NUT TO ORFS          |
| 48894    | 8 WLO-WLNL-S      | UNION,BULKHEAD,ORFS                              | 48940    | 8 WJLO-WLNL-S  | RUN TEE, BULKHEAD,ORFS                 |
| 48895    | DT-370-MSMO-5     | VALVE,CHECK                                      | 48941    | 8-4 TRLO-S     | REDUCER,TUBE END TO SWIVEL,ORFS        |
| 48896    | 6 JLO-S           | UNION,TEE,ORFS                                   | 48942    | 8-6 C5OLO-S    | ELBOW,90°,STRAIGHT THREAD TO ORFS      |
| 48897    | DT-750-MSMS-5     | VALVE,CHECK                                      | 48943    | 8-6 F5OLO-S    | CONNECTOR,STRAIGHT THREAD TO ORFS      |
| 48898    | DT-750-MOMS-5     | VALVE,CHECK                                      | 48944    | 8-8 FLO-S      | CONNECTOR,MALE PIPE TO ORFS            |
| 48899    | DT-620-MOMS-5     | VALVE,CHECK                                      | 48945    | 8 FTX-S        | CONNECTOR,MALE PIPE TO FLARE TUBE      |
| 48900    | 4-6 F5OLO-SW/.035 | CONNECTOR,STRAIGHT THREAD TO ORFS,<br>W/.035 ORI | 48946    | 8-10 F5OLO-S   | CONNECTOR,STRAIGHT THREAD TO ORFS      |
| 48902    | 16-1 AOE4G-S      | ELBOW,90° LONG,FEMALE PIPE TO<br>STRAIGHT THREAD | 48947    | 8-12 C5OLO-S   | ELBOW,90°,STRAIGHT THREAD TO ORFS      |
| 48903    | 1 FF-S            | NIPPLE,PIPE                                      | 48948    | 8-12 F5OLO-S   | CONNECTOR,STRAIGHT THREAD TO ORFS      |
| 48904    | 4 C5OLO-S         | ELBOW,90°,STRAIGHT THREAD TO ORFS                | 48949    | 8-16 F5OLO-S   | CONNECTOR,STRAIGHT THREAD TO ORFS      |
| 48905    | 4 F5OLO-S         | CONNECTOR,STRAIGHT THREAD TO ORFS                | 48950    | 10 C5OLO-S     | ELBOW,90°,STRAIGHT THREAD TO ORFS      |
| 48906    | 4 R5OLO-S         | RUN TEE,STRAIGHT THREAD                          | 48951    | 10 CC5OLO-S    | ELBOW,90° LONG,STRAIGHT THREAD TO ORFS |
| 48907    | 4 V5OLO-S         | ELBOW,45°,STRAIGHT THREAD TO ORFS                | 48952    | 10 F5OLO-S     | CONNECTOR,STRAIGHT THREAD TO ORFS      |
| 48908    | 4 R6LO-S          | RUN TEE,SWIVEL NUT,ORFS                          | 48953    | 10 R5OLO-S     | RUN TEE,STRAIGHT THREAD                |
| 48909    | 4 WJLO-WLNL-S     | RUN TEE, BULKHEAD,ORFS                           | 48954    | 10 S5OLO-S     | BRANCH TEE,STRAIGHT THREAD TO ORFS     |
| 48910    | 4 GTX-S W/.030    | CONNECTOR,FEMALE PIPE TO FLARE TUBE              | 48955    | 10 R6LO-S      | RUN TEE,SWIVEL NUT,ORFS                |
| 48911    | 4-6 C5OLO-S       | ELBOW,90°,STRAIGHT THREAD TO ORFS                | 48956    | 10-4 TRLO-BL-S | REDUCER,TUBE END TO SWIVEL,ORFS        |
| 48912    | 4-6 F5OLO-S       | CONNECTOR,STRAIGHT THREAD TO ORFS                | 48957    | 10-6 TRLO-BL-S | REDUCER,TUBE END TO SWIVEL,ORFS        |
| 48913    | 4-6 F5OLO-SW/.030 | CONNECTOR,STRAIGHT THREAD TO ORFS,<br>W/.030 ORI | 48958    | 10-12 F5OLO-S  | CONNECTOR,STRAIGHT THREAD TO ORFS      |
| 48914    | 4-8 F5OLO-S       | CONNECTOR,STRAIGHT THREAD TO ORFS                | 48959    | 12 C5OLO-S     | ELBOW,90°,STRAIGHT THREAD TO ORFS      |
| 48915    | 6 C5OLO-S         | ELBOW,90°,STRAIGHT THREAD TO ORFS                | 48960    | 12 F5OLO-S     | CONNECTOR,STRAIGHT THREAD TO ORFS      |
| 48916    | 6 F5OLO-S         | CONNECTOR,STRAIGHT THREAD TO ORFS                | 48961    | 12 R5OLO-S     | RUN TEE,STRAIGHT THREAD                |
| 48917    | 6 FF5OLO-S        | CONNECTOR,LONG,STRAIGHT THREAD TO ORFS           | 48962    | 12 S5OLO-S     | BRANCH TEE,STRAIGHT THREAD TO ORFS     |
| 48918    | 6 R5OLO-S         | RUN TEE,STRAIGHT THREAD                          | 48963    | 12 V5OLO-S     | ELBOW,45°,STRAIGHT THREAD TO ORFS      |
| 48919    | 6 S5OLO-S         | BRANCH TEE,STRAIGHT THREAD TO ORFS               | 48964    | 12 R6LO-S      | RUN TEE,SWIVEL NUT,ORFS                |
| 48920    | 6 V5OLO-S         | ELBOW,45°,STRAIGHT THREAD TO ORFS                | 48965    | 12 CLO-S       | ELBOW,90°,MALE PIPE TO ORFS            |
| 48921    | 6 FLO-S           | CONNECTOR,MALE PIPE TO ORFS                      | 48966    | 12 FLO-S       | CONNECTOR,MALE PIPE TO ORFS            |
| 48922    | 6-6 FLO-S         | CONNECTOR,MALE PIPE TO ORFS                      | 48967    | 12 JLO-S       | UNION TEE,ORFS                         |
| 48923    | 6 P5ON-S          | PLUG,STRAIGHT THREAD                             | 48968    | 12 WLO-WLNL-S  | UNION,BULKHEAD,ORFS                    |
| 48925    | 6 WELO-S          | UNION,90° BULKHEAD,ORFS                          | 48969    | 12 WJLO-WLNL-S | RUN TEE, BULKHEAD,ORFS                 |
| 48926    | 6-4 C5OLO-S       | ELBOW,90°,STRAIGHT THREAD TO ORFS                | 48970    | 12 WELO-WLNL-S | UNION,90° BULKHEAD W/NUT,ORFS          |
| 48927    | 6-4 F5OLO-S       | CONNECTOR,STRAIGHT THREAD TO ORFS                |          |                |  |
| 48928    | 6-4 V5OLO-S       | ELBOW,45°,STRAIGHT THREAD TO ORFS                |          |                |  |
| 48929    | 6-8 C5OLO-S       | ELBOW,90°,STRAIGHT THREAD TO ORFS                |          |                |  |
| 48930    | 6-8 F5OLO-S       | CONNECTOR,STRAIGHT THREAD TO ORFS                |          |                |  |
| 48931    | 6-10 F5OLO-S      | CONNECTOR,STRAIGHT THREAD TO ORFS                |          |                |  |
| 48932    | 8 C5OLO-S         | ELBOW,90°,STRAIGHT THREAD TO ORFS                |          |                |  |
| 48933    | 8 F5OLO-S         | CONNECTOR,STRAIGHT THREAD TO ORFS                |          |                |  |
| 48934    | 8 FF5OLO-S        | CONNECTOR,LONG,STRAIGHT THREAD TO ORFS           |          |                |  |
| 48935    | 8 R5OLO-S         | RUN TEE,STRAIGHT THREAD                          |          |                |  |
| 48936    | 8 S5OLO-S         | BRANCH TEE,STRAIGHT THREAD TO ORFS               |          |                |  |
| 48937    | 8 V5OLO-S         | ELBOW,45°,STRAIGHT THREAD TO ORFS                |          |                |  |

## Fitting Cross References (Continued)

| Genie PN | Parker PN     | Description                                    | Genie PN | Parker PN      | Description                            |
|----------|---------------|--|----------|----------------|--|
| 48971    | 12 G5G5JG5-S  | TEE,FEMALE STRAIGHT THREAD                     | 49612    | PKT02586       | O-RING KIT (ORFS FITTINGS)             |
| 48972    | 12 XHL6-S     | ADAPTER, 37° MALE TO SWIVEL ORFS               | 49613    | PKT06276       | PLUG AND CAP KIT-SERVICE,ORFS          |
| 48973    | 12-1/2 F5OG-S | ADAPTER,FEMALE PIPE TO STRAIGHT THREAD         | 49728    | 10143-12-12    | HOSE END, MALE PIPE                    |
| 48974    | 12-10 C5OLO-S | ELBOW,90°,STRAIGHT THREAD TO ORFS              | 49729    | 16-1 F5OG-S    | ADAPTER,FEMALE PIPE TO STRAIGHT THREAD |
| 48975    | 12-10 F5OLO-S | CONNECTOR,STRAIGHT THREAD TO ORFS              | 49814    | 12-8 FLO-S     | CONNECTOR,MALE PIPE TO ORFS            |
| 48976    | 12-16 C5OLO-S | ELBOW,90°,STRAIGHT THREAD TO ORFS              | 49829    | DT-500-MOMF-5  | VALVE,CHECK                            |
| 48977    | 12-16 F5OLO-S | CONNECTOR,STRAIGHT THREAD TO ORFS              | 49831    | 881-12         | HOSE,3/4 INCH ID                       |
| 48978    | 12-16 V5OLO-S | ELBOW,45°,STRAIGHT THREAD TO ORFS              | 49834    | 16 JLO-S       | UNION TEE,ORFS                         |
| 48980    | 12-16 FLO-S   | CONNECTOR,MALE PIPE TO ORFS                    | 49838    | 12-8 TRLO-BL-S | REDUCER,TUBE END TO SWIVEL,ORFS        |
| 48983    | 16 C5OLO-S    | ELBOW,90°,STRAIGHT THREAD TO ORFS              | 49840    | 8 JLO-S        | UNION TEE,ORFS                         |
| 48984    | 16 F5OLO-S    | CONNECTOR,STRAIGHT THREAD TO ORFS              | 49844    | 10-8 TRLO-BL-S | REDUCER,TUBE END TO SWIVEL,ORFS        |
| 48985    | 16 V5OLO-S    | ELBOW,45°,STRAIGHT THREAD TO ORFS              | 49854    | 8 P5ON-S       | PLUG,STRAIGHT THREAD                   |
| 48986    | 16 FLO-S      | CONNECTOR,MALE PIPE TO ORFS                    | 49855    | 1JC43-16-12    | HOSE END,FEMALE SWIVEL,SEAL LOK        |
| 48988    | 16 CD45-S     | ELBOW,45°,MALE TO FEMALE PIPE                  | 49859    | 4 P5ON-S       | PLUG,STRAIGHT THREAD                   |
| 48989    | 12 CD45-S     | ELBOW,45°,MALE TO FEMALE PIPE                  | 49861    | 4 FF5OLO-S     | CONNECTOR,LONG,STRAIGHT THREAD TO ORFS |
| 48990    | 8 CD45-S      | ELBOW,45°,MALE TO FEMALE PIPE                  | 49867    | 12-3/4 F5OG-S  | ADAPTER,FEMALE PIPE TO STRAIGHT THREAD |
| 48991    | 16-12 FLO-S   | CONNECTOR,MALE PIPE TO ORFS                    | 51152    | 6 R6X-S        | RUN TEE,SWIVEL NUT,ORFS                |
| 48992    | 16-12 V5OLO-S | ELBOW,45°,STRAIGHT THREAD TO ORFS              | 51153    | 6-4 TRTX-S     | REDUCER,TUBE END TO SWIVEL,ORFS        |
| 48993    | XV501-12      | BALL VALVE                                     | 51154    | 4-4 GTX        | CONNECTOR,FEMALE PIPE TO FLARE TUBE    |
| 48994    | XV501-16      | BALL VALVE                                     | 51264    | 881-12         | HOSE,3/4 INCH ID                       |
| 48995    | XV510P-12     | BALL VALVE                                     | 51265    | 8 JLO-S        | UNION TEE,ORFS                         |
| 48996    | XV510P-16     | BALL VALVE                                     | 51508    | 6 BTX-S        | NUT,FLARE TUBE                         |
| 48997    | PD341         | DIAGNOSTIC NIPPLE, STRAIGHT THREAD             | 51580    | 12-8 TRLO-BL-S | TUBE END REDUCER,ORFS                  |
| 48998    | PD 361        | DIAGNOSTIC NIPPLE, STRAIGHT THREAD             | 51628    | 6 R6X-S        | RUN TEE,SWIVEL NUT,ORFS                |
| 48999    | DT-500-MOMS-5 | VALVE,CHECK                                    | 51735    | 3/8 HHP        | PLUG,PIPE THREAD                       |
| 49201    | 10 V5OLO-S    | ELBOW,45°,STRAIGHT THREAD TO ORFS              | 51803    | 1J943-6-8      | HOSE END,90° FEMALE SWIVEL,SEAL LOK    |
| 49202    | 1JC43-12-10   | HOSE END,FEMALE SWIVEL,SEAL LOK                | 53023    | 125HBL-5-4     | FITTING,HOSE BARB TO MALE PIPE         |
| 49203    | 10-8 V5OLO-S  | ELBOW,45°,STRAIGHT THREAD TO ORFS              | 53497    | PKT02585       | O-RING KIT                             |
| 49205    | 6 F5OHAO-S    | UNION,STRAIGHT THREAD                          | 53499    | 1JC71-16-16    | HOSE END,FEMALE SWIVEL,SEAL LOK        |
| 49207    | PD34BTL       | DIAGNOSTIC NIPPLE,SEAL-LOK SWIVEL              | 53500    | 3-904          | O-RING,STRAIGHT THREAD,-4              |
| 49209    | 8M18F870MX-S  | CONNECTOR,METRIC,STRAIGHT THREAD TO FLARE TUBE | 53501    | 3-906          | O-RING,STRAIGHT THREAD,-6              |
| 49212    | 8 WGTX-WLN-S  | CONNECTOR,BULKHEAD,FEMALE PIPE TO FLARE TUBE   | 53502    | 3-908          | O-RING,STRAIGHT THREAD,-8              |
| 49213    | 30682-8-8     | HOSE END,FEMALE SWIVEL,JIC                     | 53503    | 3-910          | O-RING,STRAIGHT THREAD,-10             |
| 49216    | 831-8         | HOSE,1/2 INCH ID                               |          |                |  |
| 49217    | 33982-8-8     | HOSE END,90° FEMALE SWIVEL,JIC                 |          |                |  |
| 49219    | PS-B-35       | SLEEVE,NYLON,2.19" ID                          |          |                |  |
| 49418    | 4-6 V5OLO-S   | ELBOW,45°,STRAIGHT THREAD TO ORFS              |          |                |  |
| 49511    | DT370-MOMS-5  | VALVE,CHECK                                    |          |                |  |
| 49512    | 1 DD-S        | ELBOW,90°,FEMALE PIPE                          |          |                |  |
| 49513    | 1 FF-S        | NIPPLE,PIPE                                    |          |                |  |
| 49514    | 10 HP5ON-S    | PLUG,STRAIGHT THREAD                           |          |                |  |
| 49515    | 12-16 CLO-S   | ELBOW,90°,MALE PIPE TO ORFS                    |          |                |  |
| 49517    | 6 HP5ON-S     | PLUG,STRAIGHT THREAD                           |          |                |  |
| 49519    | 16-12 F5OLO-S | CONNECTOR,STRAIGHT THREAD TO ORFS              |          |                |  |
| 49520    | 4 VTX-S       | ELBOW,45°,MALE PIPE TO FLARE TUBE              |          |                |  |
| 49530    | 16 C6LO-S     | ELBOW,90°,SWIVEL NUT ORFS                      |          |                |  |

## Fitting Cross References (Continued)

| Genie PN | Parker PN     | Description                                | Genie PN | Parker PN       | Description                              |
|----------|---------------|--|----------|-----------------|--|
| 53535    | 3-912         | O-RING,STRAIGHT THREAD,-12                 | 61083    | 24 F5OLO-S      | CONNECTOR,STRAIGHT THREAD TO ORFS        |
| 53536    | 4-PNLO-S      | PLUG,TUBE END,ORFS                         | 61086    | 20 R5OLO-S      | RUN TEE,STRAIGHT THREAD                  |
| 53537    | 6 PNLO-S      | PLUG,TUBE END,ORFS                         | 61090    | 24-20 F5OLO-S   | CONNECTOR,STRAIGHT THREAD TO ORFS        |
| 53538    | 8 PNLO-S      | PLUG,TUBE END,ORFS                         | 61091    | 1J943 24-24     | HOSE END,90° FEMALE SWIVEL,SEAL LOK      |
| 53539    | 10 PNLO-S     | PLUG,TUBE END,ORFS                         | 61093    | 1J978-12-12     | HOSE END,90° FEMALE SWIVEL,JIC           |
| 53540    | 12 PNLO-S     | PLUG,TUBE END,ORFS                         | 61095    | 1JS43-20-16     | HOSE END,FEMALE SWIVEL,SEAL LOK          |
| 53946    | 129HB-5-4     | FITTING,90° HOSE BARB TO MALE PIPE         | 61100    | 811-24          | HOSE,11/2 INCH ID                        |
| 53951    | 8-1/4F50G-S   | ADAPTER,FEMALE PIPE TO STRAIGHT THREAD     | 61130    | 1JS43-24-24     | HOSE END,FEMALE SWIVEL,SEAL LOK          |
| 53980    | 6 S6LO-S      | BRANCH TEE,SWIVEL NUT TO ORFS              | 61131    | 1JS78 12-12     | HOSE END,FEMALE SWIVEL,SEAL LOK          |
| 54132    | 4 C6LO-S      | ELBOW,90°,SWIVEL NUT ORFS                  | 61132    | 1J778-12-12     | HOSE END,45° FEMALE SWIVEL,JIC           |
| 54135    | 11343-16-16   | HOSE END,MALE SWIVEL,PIPE                  | 61152    | 139HB-6-4       | ELBOW,45°,BARB TO MALE PIPE              |
| 54283    | 8-10 C5OLO-S  | ELBOW,90°,STRAIGHT THREAD TO ORFS          | 61251    | BV-0750         | BALL VALVE                               |
| 54428    | 8M18C870MLO-S | ELBOW, 90° METRIC, STRAIGHT THREAD TO ORFS | 61259    | 4 CC5OLO-S      | ELBOW,90° LONG,STRAIGHT THREAD TO ORFS   |
| 54803    | FS-F-16-10    | SLEEVE,FIRE,-96" ID                        | 61260    | 20-12 TRLO-BL   | REDUCER,TUBE END TO SWIVEL,ORFS          |
| 54954    | 10143-2-4     | HOSE END, MALE PIPE                        | 61262    | 12 C6LO-S       | ELBOW,90°,SWIVEL NUT ORFS                |
| 55190    | 3/8 HP-S      | PLUG,PIPE THREAD                           | 61263    | 20 F5OHAO-S     | UNION,STRAIGHT THREAD                    |
| 55448    | 8 HLO-S       | UNION,ORFS                                 | 61264    | 6-10 C5OLO-S    | ELBOW,90°,STRAIGHT THREAD TO ORFS        |
| 55839    | 6 F65OX-S     | CONNECTOR,STRAIGHT THREAD TO 37° SWIVEL    | 61265    | 6 WNLO-WLNL-S   | UNION,BULKHEAD 45°,ORFS                  |
| 55968    | 10 C5OX-S     | ELBOW,90°,STRAIGHT THREAD TO FLARE TUBE    | 61268    | 4 WNLO-WLNL-S   | UNION,BULKHEAD 45°,ORFS                  |
| 56003    | 6 CC5OLO-S    | ELBOW,90° LONG,STRAIGHT THREAD TO ORFS     | 61269    | 4 WLO-WLNL-S    | UNION,BULKHEAD,ORFS                      |
| 56166    | BV-0837       | BALL VALVE,90°                             | 61272    | 12 AOEL6        | ELBOW,90°,STRAIGHT THREAD TO ORFS SWIVEL |
| 56188    | 10143-8-6     | HOSE END, MALE PIPE                        | 61316    | 482TC-16        | HOSE,1 INCH ID                           |
| 56233    | 2-011         | O-RING,ORFS,-4                             | 61321    | 6 JLO-S         | UNION TEE,ORFS                           |
| 56234    | 2-012         | O-RING,ORFS,-6                             | 61327    | 782-12          | HOSE,3/4 INCH ID                         |
| 56235    | 2-014         | O-RING,ORFS,-8                             | 61328    | 881-24          | HOSE,11/2 INCH ID                        |
| 56236    | 2-016         | O-RING,ORFS,-10                            | 61336    | 11943-20-24     | HOSE END,90° FLANGE HEAD                 |
| 56237    | 2-018         | O-RING,ORFS,-12                            | 61345    | 12 WJLO-WLNL-S  | RUN TEE, BULKHEAD,ORFS                   |
| 56238    | 2-021         | O-RING,ORFS,-16                            | 61346    | 8 WNLO-WLNL-S 4 | UNION,BULKHEAD 45°,ORFS                  |
| 56352    | 6 WLNL-S      | LOCKNUT,BULKHEAD                           | 61569    | 33782-8-8       | HOSE END,45° FEMALE SWIVEL,JIC           |
| 56353    | 3J782-12-12   | HOSE END,45° FEMALE SWIVEL,SEAL LOK        | 61610    | 12 FF5OLO-S     | CONNECTOR,LONG,STRAIGHT THREAD TO ORFS   |
| 56354    | 3J982-12-12   | HOSE END,90° FEMALE SWIVEL,SEAL LOK        | 61742    | 1/8 X 1.5 FFF   | NIPPLE,PIPE                              |
| 56604    | 10-8 F5OLO-S  | CONNECTOR,STRAIGHT THREAD TO ORFS          | 63426    | 8 PNTX-S        | PLUG,FLARE TUBE                          |
| 56639    | 3JC82-10-10   | HOSE END,FEMALE SWIVEL,SEAL LOK            |          |                 |  |
| 56640    | 3J982-10-10   | HOSE END,90° FEMALE SWIVEL,SEAL LOK        |          |                 |  |
| 56655    | 3JC82-8-10    | HOSE END,FEMALE SWIVEL,SEAL LOK            |          |                 |  |
| 56676    | 10-8 C5OLO-S  | ELBOW,90°,STRAIGHT THREAD TO ORFS          |          |                 |  |
| 56776    | 471TC-6       | HOSE,3/8 INCH ID                           |          |                 |  |
| 56777    | 471TC-8       | HOSE,1/2 INCH ID                           |          |                 |  |
| 56789    | 811-16        | HOSE,1 INCH ID                             |          |                 |  |
| 57884    | 3/8 FF        | NIPPLE,PIPE                                |          |                 |  |
| 59335    | 6 FNL-S       | CAP, TUBE END                              |          |                 |  |
| 59342    | 4 FNL-S       | CAP, TUBE END                              |          |                 |  |
| 59371    | 8 HP5ON-S     | PLUG,STRAIGHT THREAD                       |          |                 |  |
| 60653    | BV-0751       | BALL VALVE                                 |          |                 |  |
| 60806    | 125HB-3-4     | FITTING,HOSE BARB TO MALE PIPE             |          |                 |  |
| 61064    | 5-1/4 F50G-S  | ADAPTER,FEMALE PIPE TO STRAIGHT THREAD     |          |                 |  |
| 61079    | 4 WELO-WLNL-S | UNION,90° BULKHEAD W/NUT,ORFS              |          |                 |  |
| 61080    | 6 WLO-WLNL-S  | UNION,BULKHEAD,ORFS                        |          |                 |  |



## Fitting Cross References (Continued)

| Genie PN | Parker PN      | Description                              | Genie PN | Parker PN      | Description                                    |
|----------|----------------|--|----------|----------------|--|
| 64271    | 4 WLO-WLNL-S   | UNION,BULKHEAD,ORFS                      | 75631    | 801-6          | HOSE,3/8 INCH ID                               |
| 64272    | 6 WLO-WLNL-S   | UNION,BULKHEAD,ORFS                      | 75654    | 20 F5OLO-S     | CONNECTOR,STRAIGHT THREAD TO ORFS              |
| 65776    | 8 F65OL-S      | CONNECTOR,STRAIGHT THREAD TO ORFS SWIVEL | 75655    | 1J943-20-20    | HOSE END,90° FEMALE SWIVEL,SEAL LOK            |
| 65880    | 6001012        | O-RING KIT                               | 75656    | 881-20         | HOSE,1-1/4 INCH ID                             |
| 66154    | 6 WTX-WLNS     | UNION,BULKHEAD,FLARE TUBE                | 75971    | 8 F5OHAO-S     | UNION,STRAIGHT THREAD                          |
| 66155    | 6 WETX-S       | UNION,BULKHEAD 90°,FLARE TUBE            | 77307    | 1JB43-8-8      | HOSE END,BULKHEAD,SEAL LOK                     |
| 66156    | 6 WLN-S        | BULKHEAD LOCKNUT                         | 77309    | 8 WLNL-S       | BULKHEAD LOCKNUT                               |
| 66389    | 6-8 F5OX-S     | CONNECTOR,STRAIGHT THREAD TO FLARE TUBE  | 77379    | 8M18C87OMX-S   | ELBOW,90° METRIC,STRAIGHT THREAD TO FLARE TUBE |
| 66392    | 6 R5OX-S       | RUN TEE,STRAIGHT THREAD                  | 77703    | 3J982-8-8      | HOSE END,90° FEMALE SWIVEL,SEAL LOK            |
| 66396    | 811-12         | HOSE,3/4 INCH ID                         | 77711    | 801-10         | HOSE,5/8 INCH ID                               |
| 66829    | H3174PP        | CLAMP,TUBE                               | 77758    | 12 WNLO-WLNL-S | UNION,BULKHEAD 45°,ORFS                        |
| 67217    | 4 KLO-S        | UNION,CROSS,ORFS                         | 78091    | 6 C6X-S        | ELBOW,90°,SWIVEL NUT TO FLARE TUBE             |
| 67339    | 10-6 F5OX-S    | CONNECTOR,STRAIGHT THREAD TO FLARE TUBE  | 78684    | 30582-8-8B     | HOSE END,PUSH LOK,MALE                         |
| 67357    | 13943-8-6      | HOSE END,90° FEMALE SWIVEL,JIC           | 78852    | 549-2          | HOSE,1/8 INCH ID                               |
| 67358    | 10 HP5ON-S     | PLUG,STRAIGHT THREAD                     | 78855    | 10657-4-2      | HOSE END,FEMALE SWIVEL,JIC                     |
| 67371    | 12 S6LO-S      | BRANCH TEE,SWIVEL NUT TO ORFS            | 79138    | PS-B-37        | SLEEVE,NYLON,2.38" ID                          |
| 67498    | 4 FNL-S        | CAP, TUBE END                            | 79476    | 1JS43-6-8      | HOSE END,FEMALE SWIVEL,SEAL LOK                |
| 67906    | DC-370-F0F0-5  | VALVE,CHECK                              | 79847    | 12-3/4 A0EG-S  | ELBOW,90°,STRAIGHT THREAD TO FEMALE PIPE       |
| 69316    | 8 FLO-S        | CONNECTOR,MALE PIPE TO ORFS              | 80044    | 8 CLO-S        | ELBOW,90°,MALE PIPE TO ORFS                    |
| 69333    | H3174PP        | CLAMP,HYDRAULIC HOSE                     | 80502    | 8 F5OX-S       | CONNECTOR,STRAIGHT THREAD TO FLARE TUBE        |
| 69503    | 4 F65OX-S      | CONNECTOR,STRAIGHT THREAD TO 37° SWIVEL  | 80503    | 8 C5OX-S       | ELBOW,90°,STRAIGHT THREAD TO FLARE TUBE        |
| 69775    | 8 FNL-S        | CAP, TUBE END                            | 81010    | AS-B-27        | SLEEVE,NYLON,1.63" ID                          |
| 71038    | 1/4X1/4F3HG-S  | ADAPTER,CONVERSION                       | 83052    | 821-6          | HOSE,3/8 INCH ID                               |
| 71196    | 12-8 F5OLO-S   | CONNECTOR,STRAIGHT THREAD TO ORFS        | 83053    | 821-8          | HOSE,1/2 INCH ID                               |
| 71383    | 1/4 CD45-S     | ELBOW,45°,MALE TO FEMALE PIPE            | 83054    | 821-12         | HOSE,3/4 INCH ID                               |
| 72270    | 12FNL-S        | CAP, TUBE END                            | 83055    | 30682-6-6      | HOSE END,FEMALE SWIVEL,JIC                     |
| 73436    | 60C-4          | SLEEVE,COMPRESSION                       | 83056    | 30682-12-12    | HOSE END,FEMALE SWIVEL,JIC                     |
| 73437    | 61C-4          | NUT,COMPRESSION                          | 83057    | 33782-6-6      | HOSE END,45° FEMALE SWIVEL,JIC                 |
| 73438    | 33482-4-4B     | HOSE END,PUSH LOK,MALE                   | 83058    | 33982-6-6      | HOSE END,90° FEMALE SWIVEL,JIC                 |
| 73767    | 1CD-S          | ELBOW,90°,MALE TO FEMALE PIPE            | 83060    | 33982-12-12    | HOSE END,90° FEMALE SWIVEL,JIC                 |
| 73768    | 20-16-F5OG5-S  | ADAPTER,FEMALE PIPE TO STRAIGHT THREAD   | 83063    | 13743-4-4      | HOSE END,45° FEMALE SWIVEL,JIC                 |
| 73769    | 16-20 F5OLO-S  | CONNECTOR,STRAIGHT THREAD TO ORFS        |          |                |  |
| 74660    | 6-8 F42EDMLO-S | CONNECTOR,MALE BSPP TO ORFS              |          |                |  |
| 74661    | 8-8 F42EDMLO-S | CONNECTOR,MALE BSPP TO ORFS              |          |                |  |
| 75007    | 4 FLO-S        | CONNECTOR,MALE PIPE TO ORFS              |          |                |  |
| 75008    | 1/8 HP-S       | PLUG,PIPE THREAD                         |          |                |  |
| 75014    | 1/2 HP-S       | PLUG,PIPE THREAD                         |          |                |  |
| 75042    | 8 WELO-WLNL-S  | UNION,90° BULKHEAD W/NUT,ORFS            |          |                |  |
| 75043    | 3/4 FF-S       | NIPPLE,PIPE                              |          |                |  |
| 75254    | 24 F5OHAO-S    | UNION,STRAIGHT THREAD                    |          |                |  |
| 75255    | 12 F5OHAO-S    | UNION,STRAIGHT THREAD                    |          |                |  |
| 75256    | XV506P-24      | BALL VALVE                               |          |                |  |
| 75574    | 4 WLNL-S       | BULKHEAD LOCKNUT                         |          |                |  |
| 75612    | 8 WJLO-WLNL-S  | RUN TEE, BULKHEAD,ORFS                   |          |                |  |
| 75613    | 12-8 F5OG5-S   | ADAPTER,FEMALE PIPE TO STRAIGHT THREAD   |          |                |  |
| 75614    | 8 CC5OLO-S     | ELBOW,90° LONG,STRAIGHT THREAD TO ORFS   |          |                |  |
| 75628    | 1JB43-4-4      | HOSE END,BULKHEAD,SEAL LOK               |          |                |  |

## Fitting Cross References (Continued)

| Genie PN | Parker PN     | Description                         | Genie PN | Parker PN     | Description                             |
|----------|---------------|-------------------------------------|----------|---------------|---|
| 83064    | 13743-8-8     | HOSE END,45° FEMALE SWIVEL,JIC      | 89449    | 6 WJLO-WLNL-S | RUN TEE, BULKHEAD,ORFS                  |
| 83065    | 13743-12-12   | HOSE END,45° FEMALE SWIVEL,JIC      | 89489    | 4 WJMLO-S     | BRANCH TEE,BULKHEAD,ORFS                |
| 83066    | 13943-8-8     | HOSE END,90° FEMALE SWIVEL,JIC      | 89551    | 1JB43-6-6     | HOSE END,BULKHEAD,SEAL LOK              |
| 83067    | 14143-6-6     | HOSE END,90° FEMALE SWIVEL,JIC      | 89552    | 1JB43-8-8     | HOSE END,BULKHEAD,SEAL LOK              |
| 83068    | 14143-8-8     | HOSE END,90° FEMALE SWIVEL,JIC      | 89593    | 20 C5OLO-S    | ELBOW,90°,STRAIGHT THREAD TO ORFS       |
| 83069    | 14143-12-12   | HOSE END,90° FEMALE SWIVEL,JIC      | 94161    | 8-8 CLO-S     | ELBOW,90°,MALE PIPE TO ORFS             |
| 83070    | 772-8         | HOSE,1/2 INCH ID                    | 94358    | 351TC-12      | HOSE,3/4 INCH ID                        |
| 83071    | 10671-8-8     | HOSE END,FEMALE SWIVEL,JIC          | 94418    | 20 FLO-S      | CONNECTOR,MALE PIPE TO ORFS             |
| 83072    | 10671-12-12   | HOSE END,FEMALE SWIVEL,JIC          | 96358    | 12 TX-S       | SLEEVE,FLARE TUBE                       |
| 83073    | 13771-8-8     | HOSE END,45° FEMALE SWIVEL,JIC      | 96359    | 12 BTX-S      | NUT,FLARE TUBE                          |
| 83074    | 13771-12-12   | HOSE END,45° FEMALE SWIVEL,JIC      | 96397    | 8 F5OX-S      | CONNECTOR,STRAIGHT THREAD TO FLARE TUBE |
| 83075    | 13971-8-8     | HOSE END,90° FEMALE SWIVEL,JIC      | 96398    | 12-8 F5OX-S   | CONNECTOR,STRAIGHT THREAD TO FLARE TUBE |
| 83076    | 13971-12-12   | HOSE END,90° FEMALE SWIVEL,JIC      | 96402    | 10343-6-6     | HOSE END,MALE,JIC                       |
| 83077    | 14171-8-8     | HOSE END,90° FEMALE SWIVEL,JIC      | 96407    | 30382-6-6B    | HOSE END,MALE,JIC                       |
| 83078    | 14171-12-12   | HOSE END,90° FEMALE SWIVEL,JIC      |          |               |   |
| 83080    | 13943-16-16   | HOSE END,90° FEMALE SWIVEL,JIC      |          |               |   |
| 83103    | 10671-16-12   | HOSE END,FEMALE SWIVEL,JIC          |          |               |   |
| 83104    | 10671-10-12   | HOSE END,FEMALE SWIVEL,JIC          |          |               |   |
| 83112    | 1JC71-8-8     | HOSE END,FEMALE SWIVEL,SEAL LOK     |          |               |   |
| 83113    | 1JS71-16-12   | HOSE END,FEMALE SWIVEL,SEAL LOK     |          |               |   |
| 83114    | 1JS71-10-12   | HOSE END,FEMALE SWIVEL,SEAL LOK     |          |               |   |
| 83115    | 1J971-8-8     | HOSE END,90° FEMALE SWIVEL,SEAL LOK |          |               |   |
| 83116    | 1J171-8-8     | HOSE END,90° FEMALE SWIVEL,SEAL LOK |          |               |   |
| 83117    | 1J771-8-8     | HOSE END,45° FEMALE SWIVEL,SEAL LOK |          |               |   |
| 83127    | 1J543-6-8     | HOSE END,90° FEMALE SWIVEL,JIC      |          |               |   |
| 83128    | 1JC43-6-8     | HOSE END,FEMALE SWIVEL,SEAL LOK     |          |               |   |
| 87033    | 12-6 TRLO-S   | REDUCER,TUBE END TO SWIVEL,ORFS     |          |               |   |
| 87034    | 3J782-8-8     | HOSE END,45° FEMALE SWIVEL,SEAL LOK |          |               |   |
| 87172    | 12 HP5ON-S    | PLUG,STRAIGHT THREAD                |          |               |   |
| 87185    | 8 WNLO-WLNL-S | UNION,BULKHEAD 45°,ORFS             |          |               |   |
| 87246    | 4 C6X-S       | ELBOW,90°,SWIVEL NUT TO FLARE TUBE  |          |               |   |
| 87679    | 6 LHP-S       | FLANGE SEAL FITTING, MALE           |          |               |   |
| 87681    | 6PLS N0702    | BONDED SEAL                         |          |               |   |
| 88100    | SR88100       | ADAPTER,OIL DRAIN,GM 3.0L           |          |               |   |
| 88311    | 1JS43-20-20   | HOSE END,FEMALE SWIVEL,SEAL LOK     |          |               |   |
| 88353    | 20 V5OLO-S    | ELBOW,45°,STRAIGHT THREAD TO ORFS   |          |               |   |
| 88474    | 10081-20      | Crimp Shell, 1.25"                  |          |               |   |
| 88475    | 1988-20-24    | HOSE END,90° FLANGE HEAD            |          |               |   |
| 88476    | JS88-24-24    | HOSE END,FEMALE SWIVEL,SEAL LOK     |          |               |   |
| 88477    | 1JC88-20-20   | HOSE END,FEMALE SWIVEL,SEAL LOK     |          |               |   |
| 88478    | 811-20        | HOSE,11/4 INCH ID                   |          |               |   |
| 88936    | 20-16 F5OLO-S | CONNECTOR,STRAIGHT THREAD TO ORFS   |          |               |   |
| 88937    | 20-16 FLO-S   | CONNECTOR,MALE PIPE TO ORFS         |          |               |   |
| 88938    | 1JC88-16-16   | HOSE END,FEMALE SWIVEL,SEAL LOK     |          |               |   |
| 88939    | 1J988-16-16   | HOSE END,90° FEMALE SWIVEL,ORFS     |          |               |   |
| 88940    | 811-16        | HOSE,1 INCH ID                      |          |               |   |
| 88944    | 1J988-20-20   | HOSE END,90° FEMALE SWIVEL,ORFS     |          |               |   |
| 89403    | 16 VLO-S      | ELBOW,45°,MALE PIPE TO ORFS         |          |               |   |

California Proposition 65



**WARNING**

Operating, servicing and maintaining this equipment can expose you to chemicals including engine exhaust, carbon monoxide, phthalates, and lead, which are known to the State of California to cause cancer and birth defects or other reproductive harm. These chemicals can be emitted from or contained in other various parts and systems, fluids and some component wear by-products. To minimize exposure, avoid breathing exhaust, do not idle the engine except as necessary, service your equipment and vehicle in a well-ventilated area and wear gloves or wash your hands frequently when servicing your equipment or vehicle and after operation. For more information go to [www.P65Warnings.ca.gov/passenger-vehicle](http://www.P65Warnings.ca.gov/passenger-vehicle).

Breathing diesel engine exhaust exposes you to chemicals known to the State of California to cause cancer and birth defects or other reproductive harm.

- Always start and operate the engine in a well-ventilated area.
- If in an enclosed area, vent the exhaust to the outside.
- Do not modify or tamper with the exhaust system.
- Do not idle the engine except as necessary.

For more information go to [www.P65warnings.ca.gov/diesel](http://www.P65warnings.ca.gov/diesel).

# Parts Manual

GS-2669RT, GS-3369RT

GS-4069RT

*from SN GS6911-101 to GS6916-7896  
from SN GS6916F-7897 to GS6916F-10499*

Part No.  
229832GT

Rev C2

**Genie**  
A TEREX BRAND